

SURPRISING

CHAIR

DESIGN BY HARALD GUGGENBICHLER

ITEM 1225



TESTING STANDARDS - Upon request

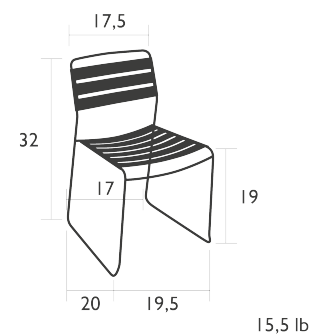
WARRANTY

	IN ALUMINUM	IN STEEL
STRUCTURAL	3 YEARS	2 YEARS
FINISH	2 YEARS	1 YEAR

TECHNICAL FEATURE - STRUCTURE



Steel rod frame
 Laser-cut steel sheet slats seat
 Laser-cut steel sheet slats backrest
 Stacking capacity : x 10 (Height - stacked : 37,5 in.)
 Product enhancement :
 Improved stacking



FURTHER INFORMATION