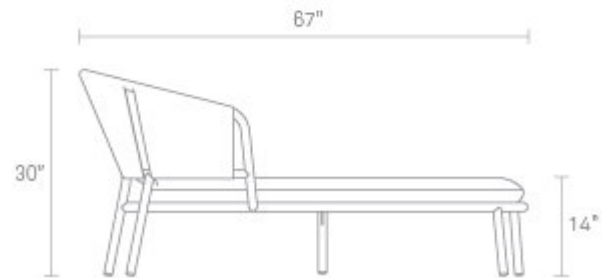
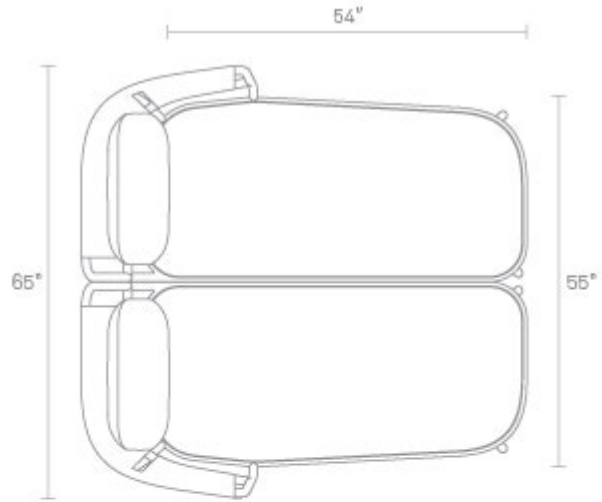


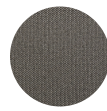
Mate Outdoor Daybed



Woven all-weather rope wraps a tubular aluminum frame to create a balance of texture, comfort and resilience. The Sunbrella® upholstered seat cushion is UV- and mildew-resistant. Provides lavish lounging for two or sweet solitude for one. Shop the entire Mate Collection



SUNBRELLA
LINEN



TOOHEY
CHARCOAL

Product Details	MA1-DAYBED-LN	SUNBRELLA LINEN	\$3,990
	MA1-DAYBED-CL	TOOHEY CHARCOAL	\$3,990

- Connector brackets connect two Mate Sun Loungers to form daybed
- Powder-coated aluminum frame is lightweight, durable and corrosion resistant
- All-weather woven rope
- UV- and mildew-resistant Sunbrella upholstered seat cushion
- Velcro straps keep cushion in place
- Sunbrella Linen: 97% Acrylic / 3% Other | 65,000 Double Rubs
- Toohey Charcoal: 97% Sunbrella Acrylic / 3% Other | 100,000 Double Rubs
- Sunbrella fabrics can be cleaned and sanitized using bleach or other disinfectants without experiencing color loss or degradation
- Sunbrella upholstery fabrics are Green Guard and Green Guard Gold certified to meet the standards for low chemical emissions and VOCs, contributing to healthy indoor air
- To protect the products finish and to extend the life of your outdoor furniture, store in dry location when not in use or during periods of inclement weather
- Avoid the use of harsh cleaners and abrasives
- We cannot warrant against chipping, scuffing, fading or corrosion, especially in seaside or harsh urban environments
- BIFMA rated
- Some assembly required

Are you a trade professional? Visit [bludot.com/trade-contract](https://www.bludot.com/trade-contract)

BLUDOT.COM

TEL 844.425.8368

service@bludot.com