

Manifold Coffee Table-Rectangle



Blonde
Ash &
Brass

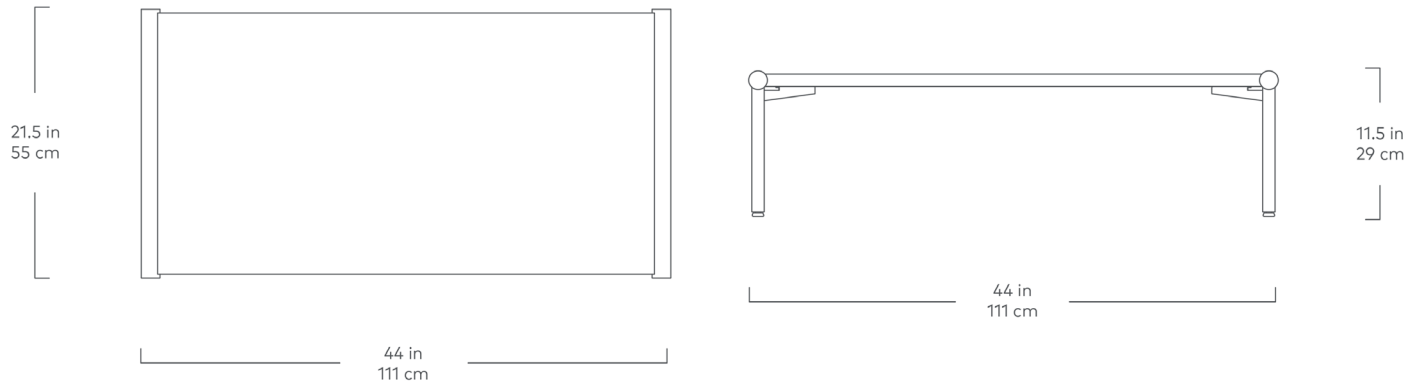


Walnut &
Pewter

Bauhaus industrial design gets a contemporary update with the Manifold collection. Featuring elegant, clean-lined tables that can stand alone or nest together, the well considered silhouettes optimize space with innovative design compatibility. Designed to complement larger sofas in living or office spaces, the rectangular coffee table features a low profile and a long wood tabletop. While it provides ample space to spread out, the slender metal legs contribute to an overall light, sleek aesthetic. Available in two combinations—Blonde Ash with Brass or Walnut with Pewter – each with the promise to elevate your space.

Design Trade Professionals: We aim to keep our designs in stock and ready to ship quickly for projects on a tight timeline. Designs may be customized with COM and alternate finishes (minimum quantities may apply). Visit guscontract.com for more information about our Trade & Contract programs.

Manifold Coffee Table-Rectangle



- For strength and stability, table surface is a plywood core with real wood veneer in ash or walnut.
- Water-based, clear coat finish.
- Pewter and brass finish are vacuum-plated onto steel tubular legs.
- Brushed finish is durable and easy to maintain.
- Leveling, non-marking feet.
- Designed to nest with the Manifold Square Coffee Table and Manifold End Table.
- Assembles easily with provided hardware.