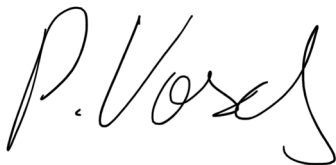


LOGS MIRROR

ASSEMBLY INSTRUCTION

W0UD

**DID YOU ONCE WALK THROUGH THE NORDIC
BIRCH FORESTS? DID YOU ALSO FEEL RELEA-
SED AND OVERWHELMED BY THE BEAUTY AND
CALMNESS AROUND YOU? I TRIED TO CAPTURE
THIS MYTH IN A PRODUCT. WITH LOGS MIRROR,
YOU CAN IMAGINE STANDING IN A FOREST
WITH MANY TREES OF SIMILAR YET SLIGHTLY
DIFFERENT SHAPES AND COLOUR TONES**

A handwritten signature in black ink, reading "P. Vosing". The signature is fluid and cursive, with a large initial "P" and a long, sweeping tail on the "g".

VOSDING INDUSTRIAL DESIGN

TAKE CARE

**WE HAVE NOW HANDED OVER
ONE OF OUR DARLINGS TO YOU.
NOW IT IS YOURS. TAKE GOOD
CARE OF IT. YOU CAN READ THE
CARE INSTRUCTIONS FOR ALL
OUR MATERIALS AT OUR WEBSITE.**

WOU.DK/TAKECARE

ASSEMBLY INSTRUCTION

**PLEASE GO THROUGH THE FOLLOWING
STEPS CAREFULLY. RETAIN THIS MANUAL
FOR FUTURE REFERENCE TO ENSURE THAT
YOUR NEW ITEM IS CORRECTLY ASSEMBLED
IN CASE IT SHOULD BE DISASSEMBLED OR
MOVED. WE ARE NOT RESPONSIBLE FOR
ANY FAULTS OR DAMAGES CAUSED BY
NOT FOLLOWING THESE INSTRUCTIONS
CORRECTLY.**



A x 3 or 5



B x 2



B x 2

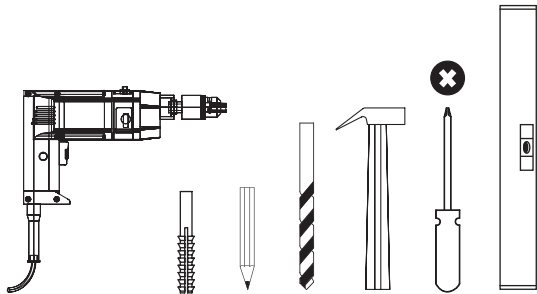


c x 6

TOOLS NEEDED

IMPORTANT!

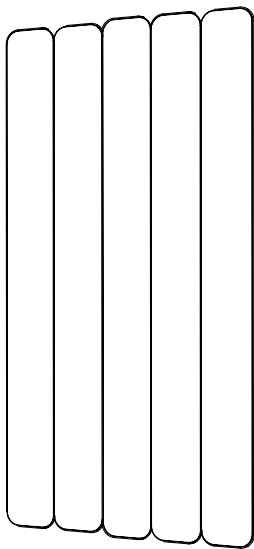
THESE ITEMS ARE NOT INCL. AND CAN BE PURCHASED IN THE STORES.
USE WALL PLUGS AND DRILLS SUITABLE FOR YOUR WALL. BE CAREFUL
WITH THIN/PLASTER/DRY WALLS AND SOLID CONCRETE WALLS. IN CASE
OF DOUBT, WE RECOMMEND THAT YOU ASK A PROFESSIONAL.



STEP 0

CHOOSE TO HANG THE MIRRORS VERTICAL OR HORIZONTAL.

VERTICAL MIRRORS



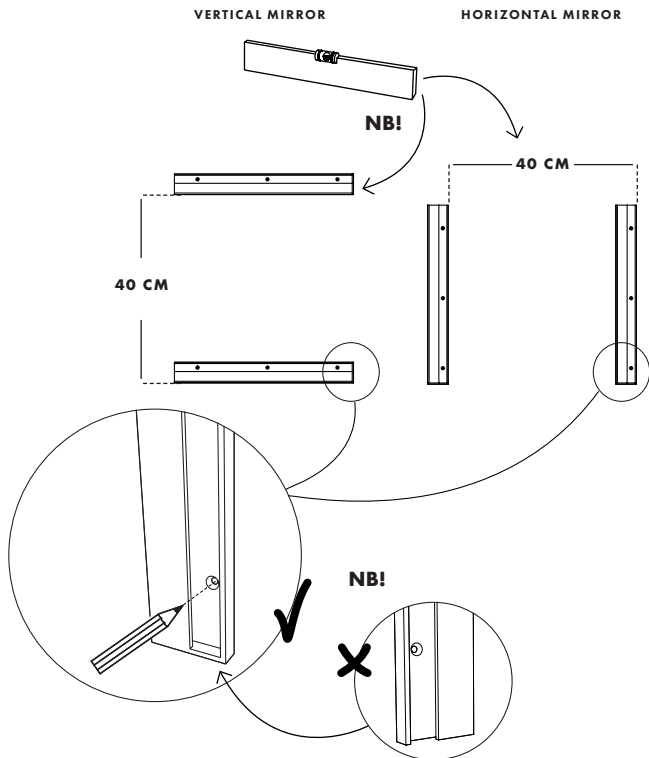
HORIZONTAL MIRRORS



STEP 1

PLACE THE BRACKETS MIN. 40 CM APART. PLACE THE BRACKETS HORIZONTAL IF THE MIRROR SHOULD HANG VERTICAL OR PLACE THE BRACKETS VERTICAL IF THE MIRROR SHOULD HANG HORIZONTAL.

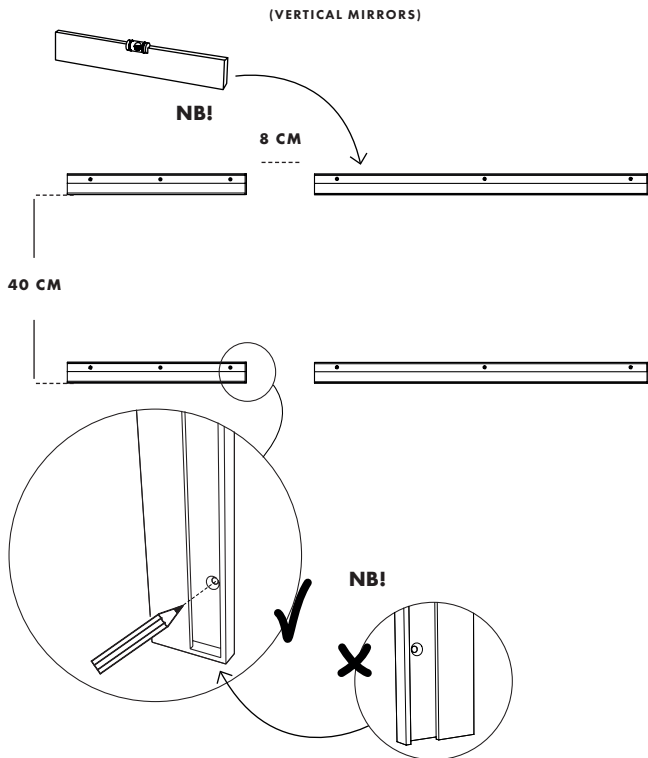
CHECK THE BRACKETS ARE TURNED CORRECTLY.



STEP 1.2

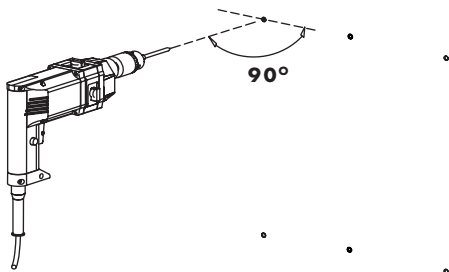
IF YOU ARE PLANNING TO HANG MORE MIRRORS THEN 3 OR 5. PLEASE FOLLOW THE ASSEMBLY INSTRUCTIONS BELOW. THE EXAMPLE IS FOR HANGING 8 VERTICAL MIRRORS.

CHECK THE BRACKETS ARE TURNED CORRECTLY.



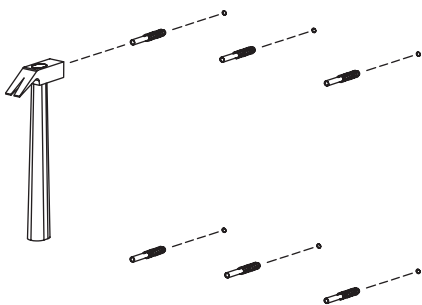
STEP 2

DRILL HOLES IN THE WALL AT THE POINTS THAT WERE MARKED IN THE PREVIOUS STEP 1. THE DRILL END IS NOT INCLUDED, WE RECOMMEND THAT YOU CHECK WHICH DRILL END IS SUITABLE FOR YOUR WALL.



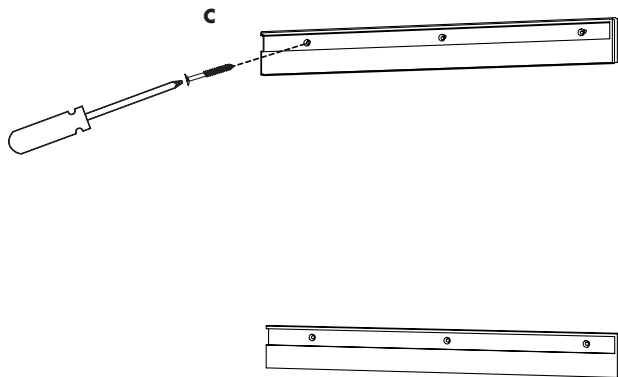
STEP 3

APPLY THE WALL PLUGS.
THE WALL PLUGS ARE NOT INCLUDED, WE RECOMMEND THAT YOU
CHECK WHICH PLUGS FITS YOUR WALL.



STEP 4

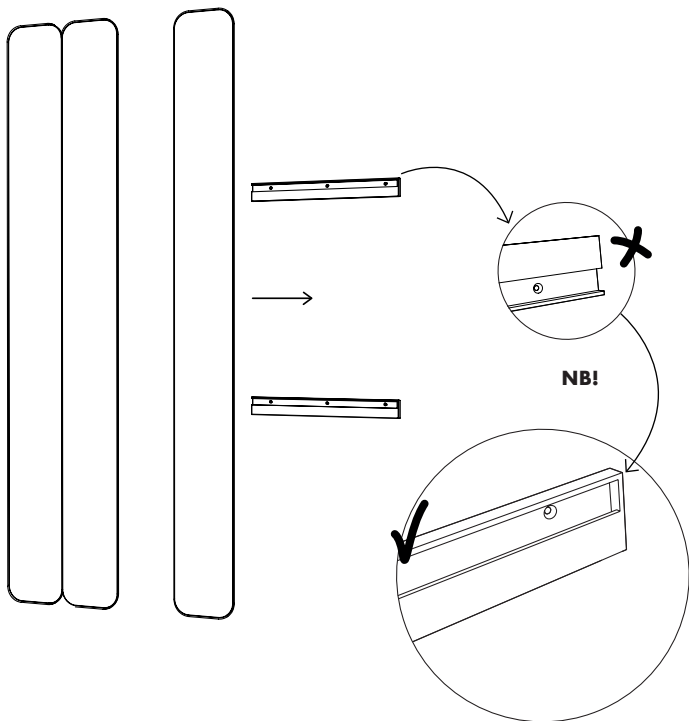
MOUNT THE FITTINGS TO THE WALL. MAKE SURE THE BRACKETS ARE TURNED THE RIGHT WAY, SO THE CLOSED END IS AT THE BOTTOM OR THE RIGHT HANDSIDE TO AVOID THE MIRRORS SLIDING THROUGH AND SMASHING.



STEP 5.1

MOUNT THE MIRRORS VERTICALLY ON THE FITTINGS.

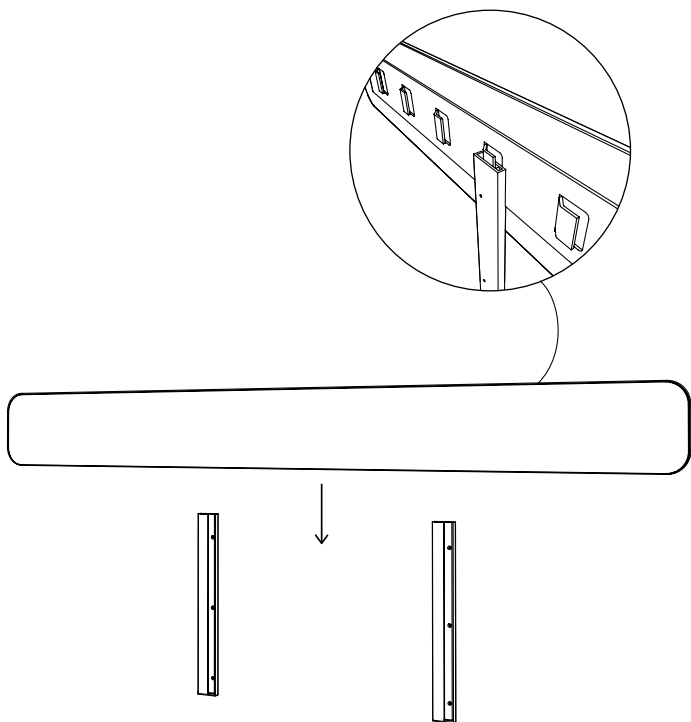
CHECK AGAIN THAT THE BRACKETS ARE TURNED CORRECTLY.



STEP 5.2

MOUNT THE MIRRORS HORIZONTALLY ON THE FITTINGS.

CHECK AGAIN THAT THE BRACKETS ARE TURNED CORRECTLY.



SEE WWW.WOUD.DK FOR CARE INSTRUCTIONS. BE GENTLE WHEN
CLEANING THE MIRRORS TO PREVENT THE GLASS FROM CLASHING
AGAINST EACH OTHER OR LIFTED OUT OF THE BRACKETS.

DESIGNED BY
VOSDING INDUSTRIAL DESIGN