

Product Fact Sheet

Lod Pendant US



ferm
L I V I N G

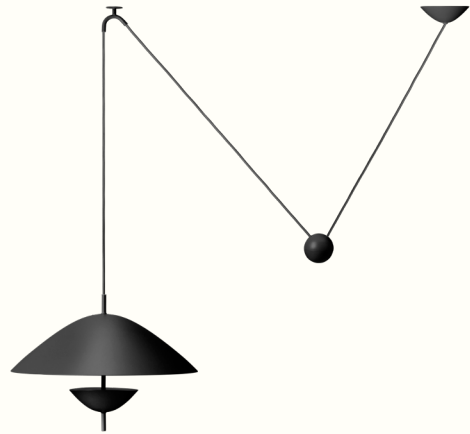


Lod Pendant

Referencing the Danish word for ‘weight’, the Lod Pendant gracefully captures a playful yet elegant design. With a striking graphic silhouette, the height of the lampshade can be easily adjusted using the counterweight or the shade’s perpendicular rod. Bathing your space in a gentle and luminous glow, the pendant illuminates with a soft radiance, while its reflective surfaces contribute to a soothing atmosphere. The Lod Pendant is completed by a matching ceiling bracket and canopy and is accompanied by a textile cable that enhances its visual allure and adds to its overall graphic charm.



1104268226
Cashmere

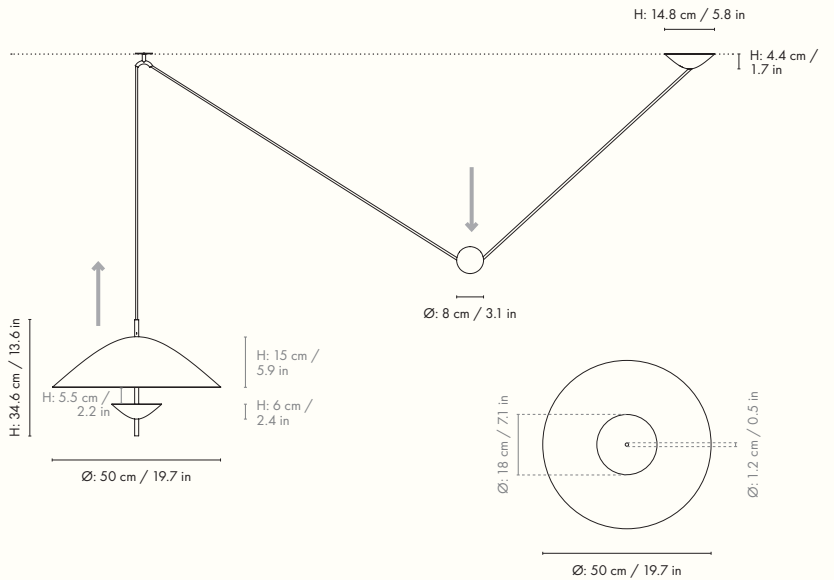


1104268209
Black

Information

Size: Ø: 50 x H: 34.6 cm / Ø: 19.7 x H: 13.6 in
Material: Cashmere powder coated iron or black wet painted iron. White diffuser. G9 socket.
 5 metre fabric cord in a matching colour
Care: Wipe with a damp cloth
Voltage: 110-120V - 60Hz
Light source: 3 x G9 max 7W LED. Bulb not included
Info: Registered design
Certifications: UL
Classification: IP20, Class II
Country of origin: China
Net weight: 4 kg
Packsize: 1

Measurements



IP20



Space to feel comfortably you