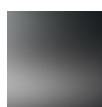


Lido Pendant Light



White

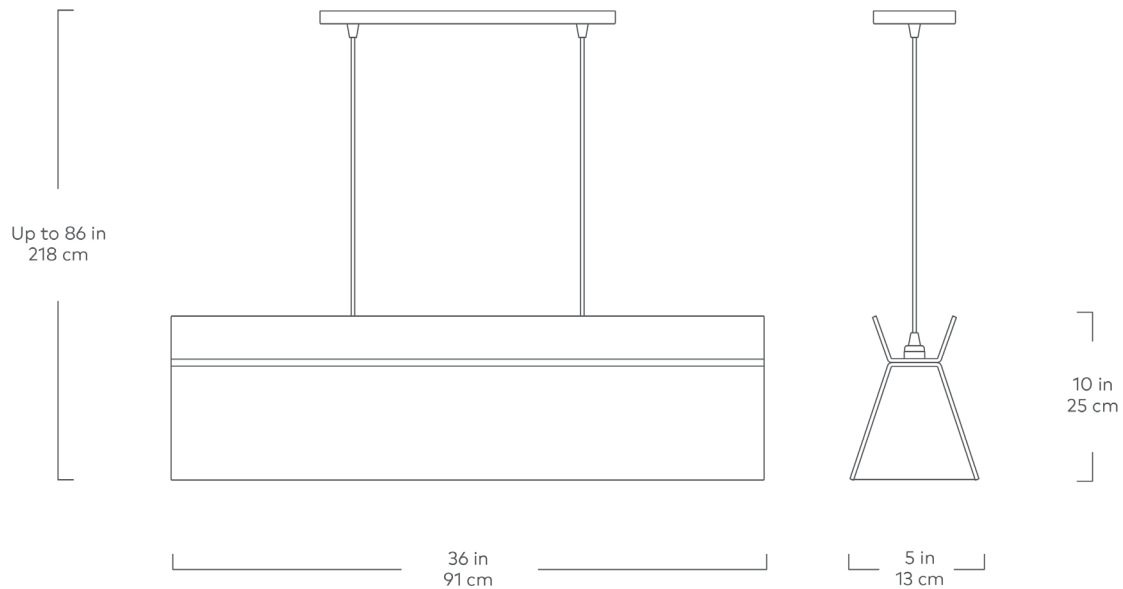


Smoke

The Lido Pendant transforms the classic linear pendant light into a sculptural design that illuminates and captivates. The long, streamlined form is constructed from two acrylic channels, one of which is inverted, creating a subtle effect of reflection and balance. Two colour options translucent Smoke Acrylic or the more opaque White/Frosted Acrylic combination create unique plays of light that are particularly striking over a dining table.

Design Trade Professionals: We aim to keep our designs in stock and ready to ship quickly for projects on a tight timeline. Designs may be customized with COM and alternate finishes (minimum quantities may apply). Visit guscontract.com for more information about our Trade & Contract programs.

Lido Pendant Light



- Pendant crafted from precision-cut, 1/4" acrylic.
- For the White/Frosted acrylic version: the pendant end faces and top components are in frosted acrylic and the main component is translucent white acrylic.
- For Smoke acrylic version: the whole pendant is transparent smoke acrylic.
- Acrylic edges are flame polished for clarity and smooth finish.
- Panels are joined with invisible, UV-cured adhesive.
- Shade has an open bottom.
- Powder-coated steel ceiling plate (black for the Smoke version and white for the White/Frosted version) conceals wiring, and can be micro-adjusted to level the shade.
- White/Frosted Acrylic Pendant: Recommended 2 x E26 LED bulbs from 450-1100 Lumens (not included).
- Smoke Acrylic Lamp: Recommended 2 x LED Edison bulbs (not included).