

LEVEL

ASSEMBLY INSTRUCTION

W0UD

**THE LEVEL DAYBED IS MADE WITH
CARE FROM LONG LASTING NATURAL
MATERIALS. IT IS INTENDED TO FIT
INTO THE INFORMAL CONTEMPORARY
INTERIOR WHILE COMMUNICATING
STABILITY, COMFORT, AND CRAFT.
WE HOPE YOU FEEL SECURE BEING
SUPPORTED BY ITS STURDY SAWHORSE
BASE AND FIND COMFORT IN ITS PLUSH
LEATHER MATTRESS.**

A stylized, handwritten signature in black ink. The signature consists of two parts: 'JC' on the left and 'MS' on the right, both written in a fluid, cursive style. The 'J' and 'C' are connected, and the 'M' and 'S' are also connected. The signature is positioned above the text 'MSDS STUDIO'.

MSDS STUDIO

ASSEMBLY INSTRUCTION

**PLEASE GO THROUGH THE FOLLOWING
STEPS CAREFULLY. RETAIN THIS MANUAL
FOR FUTURE REFERENCE TO ENSURE THAT
YOUR NEW ITEM IS CORRECTLY ASSEMBLED
IN CASE IT SHOULD BE DISASSEMBLED OR
MOVED. WE ARE NOT RESPONSIBLE FOR
ANY FAULTS OR DAMAGES CAUSED BY
NOT FOLLOWING THESE INSTRUCTIONS
CORRECTLY.**



F X 1



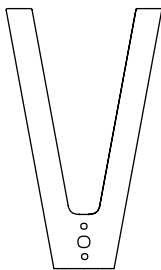
A X 1



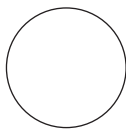
B X 4



C X 8



D X 4



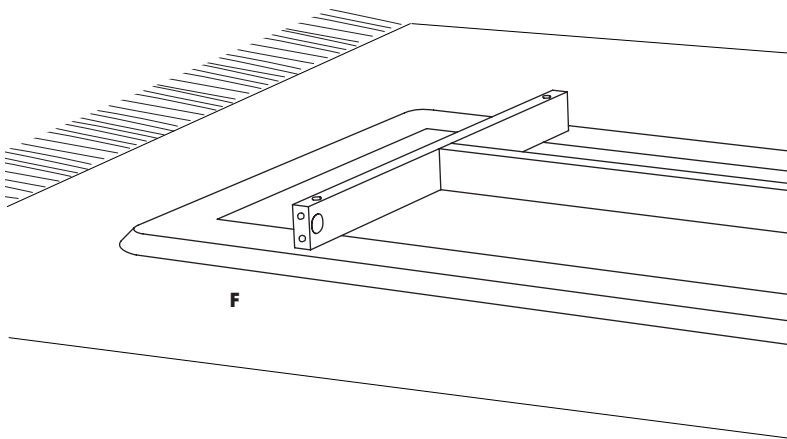
E X 4

TOOLS NEEDED



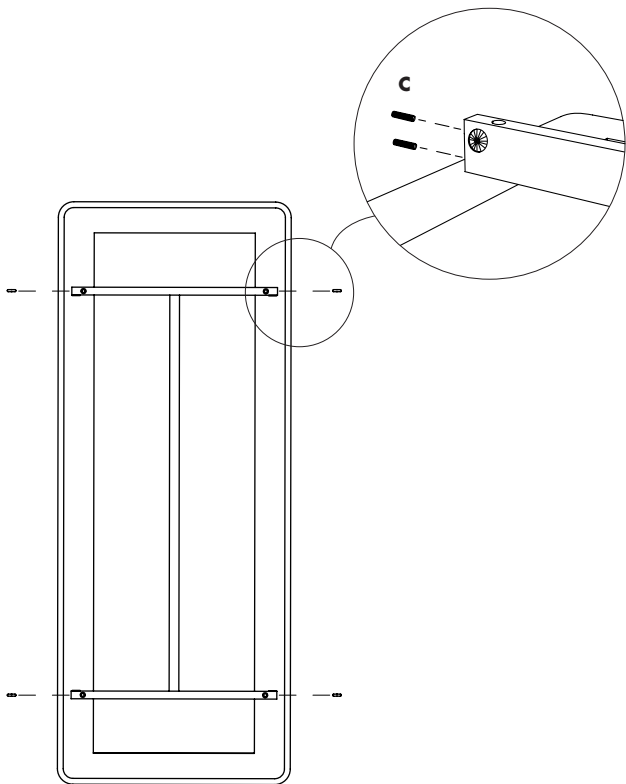
STEP 1

WE RECOMMEND THAT YOU PLACE THE WOODEN FRAME ON A CARPET



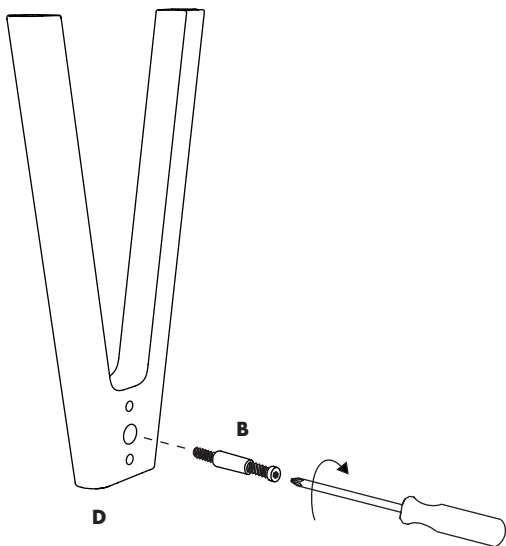
STEP 2

APPLY THE DOWELS IN THE FRAME



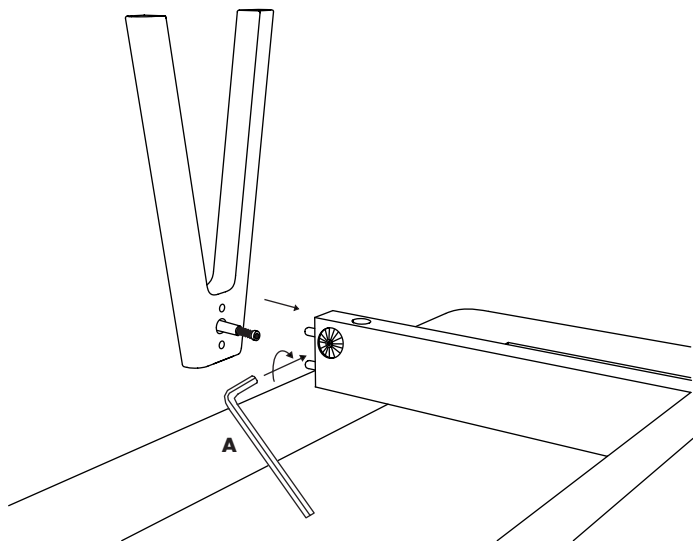
STEP 3

MOUNT THE SCREWS IN THE LEGS



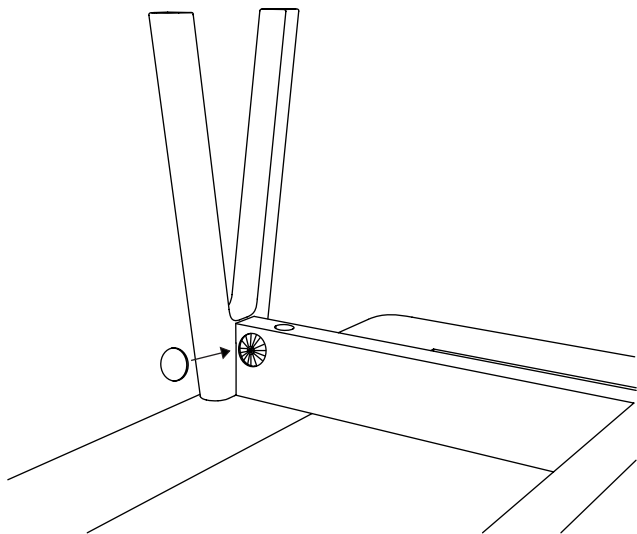
STEP 4

TIGHTEN THE LEGS ONTO THE FRAME BY USING THE HEX KEY



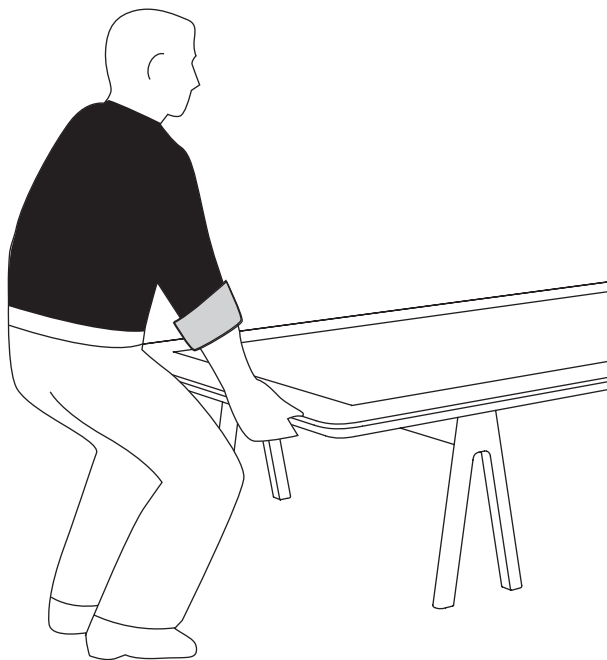
STEP 5

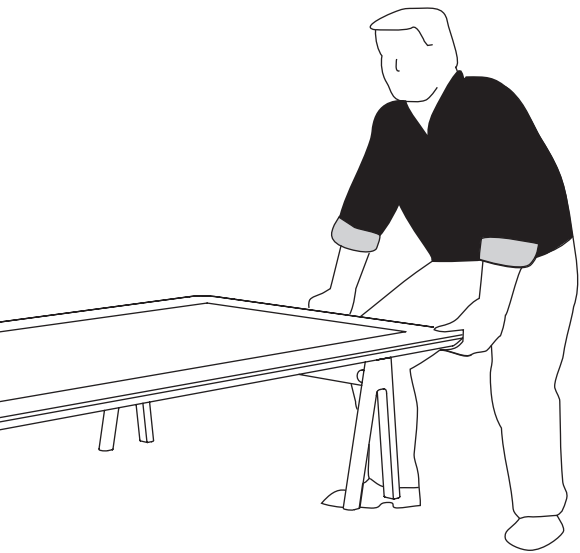
APPLY THE END CAPS



STEP 6

FLIP THE FRAME AND PUT THE MATTRESS ON TOP





DESIGNED BY
MSDS STUDIO

LEATHER FURNITURE

CARE INSTRUCTIONS

ANILINE LEATHER HAS NO, OR ONLY A LIGHT, SURFACE PROTECTION WITH A NATURAL LEATHER LOOK AND A VERY SOFT SURFACE. WITH ANILINE LEATHER, THERE IS A RISK THAT THERE ARE MARKS IN THE LEATHER AS LEATHER IS A NATURAL MATERIAL. THE ANILINE LEATHERS' LIGHT COATING HELPS TO MAKE THE LEATHER BREATHABLE AND COMFORTABLE TO SIT ON. IN TURN, THE LEATHER IS VULNERABLE TO DIRT AND WILL EVENTUALLY BECOME SLIGHTLY DARKER.

MAINTENANCE AND CARE

A VERY COMMON PROBLEM IS SPILLOVER FROM DENIM AND OTHER TEXTILES. ESPECIALLY ON THE BRIGHT LEATHERS. BY TREATING THE LEATHER WITH LEATHER PROTECTION CREAM BEFORE USE, IT IS EASIER TO REMOVE ANY EXCESS DYE SINCE THE COLOUR PRIMARILY SITS IN THE PROTECTIVE CREAM. THE PROTECTION CREAM PROTECTS THE LEATHER AGAINST STAINS AND INCREASES DURABILITY AND RETAINS A NATURAL SOFTNESS. FOR NORMAL USE, THE FURNITURE SHOULD REGULARLY BE VACUUM CLEANED WITH A SOFT NOZZLE. THIS IS DONE TO REMOVE DUST AND DIRT. LEATHER FURNITURE SHOULD NEVER OR VERY RARELY WIPED WITH A DAMP CLOTH AS WATER DRIES OUT THE LEATHER. IF NECESSARY, THE CLOTH MUST ALWAYS BE WRUNG IN DEMINERALISING WATER DUE TO CALCIUM IN THE WATER. FOR STANDARD USE, LEATHER FURNITURE SHOULD BE CLEANED WITH A SOFT LEATHER CLEANER 6-12 TIMES A YEAR. LEATHER PROTECTION CREAM IS RECOMMENDED 2-4 TIMES A YEAR OR AS NEEDED. IF THE USER IS TAKING ANY MEDICATION, YOU SHOULD BE AWARE THAT THE FURNITURE OFTEN MUST BE PROTECTED WITH LEATHER PROTECTION CREAM. THIS IS DUE TO THE FORMATION OF ACID COMPOUNDS OF THE SWEAT THAT IS EXCRETED.

CAUTION

- DO NOT USE SOAP FLAKES.
- DO NOT PLACE THE LEATHER FURNITURE TOO CLOSE TO A HEAT SOURCE.
- PROTECT THE LEATHER FURNITURE FROM DIRECT SUNLIGHT FOR LONGER PERIODS.
- VACUUM WITH A SOFT BRUSH NOZZLE.

LEVEL

DIMENSIONS

WOUD

