

# Hull Coffee Table

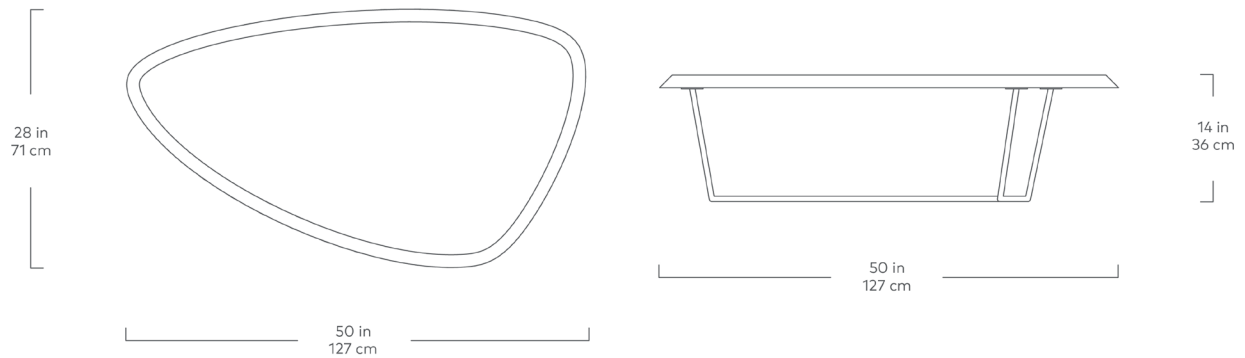


Natural  
Ash

The Hull Coffee Table features a thick, solid Ash top with a beveled edge and an organic outline that evokes the hull of a ship. The surface is supported by a black, solid steel base. Crafted using FSC®-Certified hardwood, in support of responsible forest management.

Design Trade Professionals: We aim to keep our designs in stock and ready to ship quickly for projects on a tight timeline. Designs may be customized with COM and alternate finishes (minimum quantities may apply). Visit [gusmodern.com](http://gusmodern.com) for more information about our Trade & Contract programs.

# Hull Coffee Table



- Solid, beveled top is FSC®-Certified Ash (FSC® 092551).
- Black, powder-coated base is bench-made from solid, round steel.
- Water-based, clear coat finish.
- Wood is a natural material, with variations in grain pattern and colour that make each design unique.

