

Product Fact Sheet

Herman Collection



ferm
L I V I N G





Herman Dining Chair - Wooden Frame

Design by Herman Studio

Product details

Manufactured in Latvia
Registered design

Dimensions

Total height: 75.5 cm / 29.7 in
Width: 47.5 cm / 18.7 in
Depth: 46 cm / 18.1 in
Seat height: 45 cm / 17.7 in
Weight: 4 kg / 8.8 lb (without upholstery)
4.2 kg / 9.3 lb (seat upholstered)
4.5 kg / 9.9 lb (fully upholstered)

Materials and construction

Backrest/seat: Natural oak, painted ash, dark stained or white oiled beech veneer
Upholstered seat/back: Birch veneer upholstered with PU foam and fabric or leather
Frame: Natural solid oak, painted solid ash, dark stained or white oiled solid beech
Glides: Plastic or felt glides
FSC™ Mix certified wood

Care

Please see fermiving.com for care and maintenance instructions

Packsize

2

Attention

This seating is tested to meet relevant strength and durability standards
Tests are based on a person's weight of 110 kg / 242 lb

Test

EN 16139:2013
Furniture - Strength, durability, stability and safety
Requirements for non-domestic seating

Foam fire rating:

CAL117-2013 - pass
BS 5852 Crib5 - on request

Stock Versions



1104263815 Black
1104263538 Natural Oak
1104263816 Red Brown
1104263814 Warm Grey
1104269361 Dark Stained Beech
1104269360 White Oiled Beech

Customisation Options

Frame and backrest options



Leather qualities (seat only or fully upholstered)



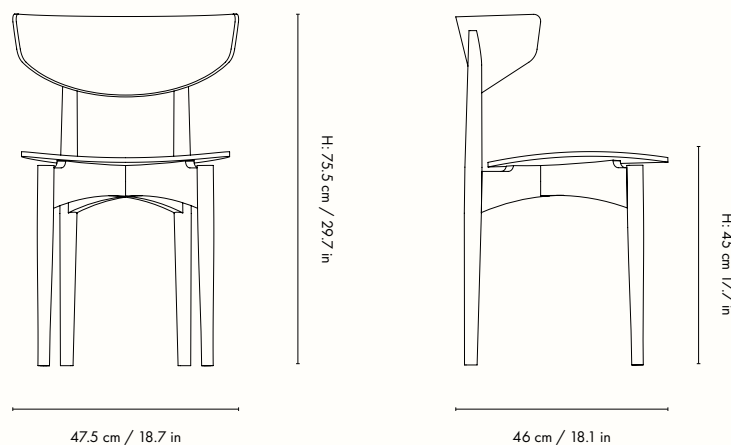
Fabric qualities (seat only or fully upholstered)



To see the specifications of each fabric and available colour assortment please go to the fabric and leather overview. Felt Gliders must be ordered separately against price supplement.
For fully upholstered version the seat and backrest must have same fabric and leather qualities.



Measurements





Herman Dining Chair - Steel Frame

Design by Herman Studio

Product details

Manufactured in Latvia
Registered design

Dimensions

Height: 75 cm / 29.5 in
Width: 47 cm / 18.5 in
Depth: 46 cm / 18.1 in
Seat height: 45 cm / 17.7 in
Weight: 4.8 kg / 10.6 lb (without upholstery)
5 kg / 11 lb (seat upholstered)

Materials and construction

Backrest/seat: White oiled oak, dark stained oak, walnut or painted ash veneer
Upholstered seat: Birch veneer upholstered with PU foam and fabric or leather
Frame: Black powder coated steel
Glides: Plastic or felt glides
FSC™ Mix certified wood

Care

Please see fermliving.com for care and maintenance instructions

Packsize

2

Attention

Maximum amount of dining chairs to be stacked: 10
This seating is tested to meet relevant strength and durability standards
Tests are based on a person's weight of 110 kg / 242 lb

Test

EN 16139:2013
Furniture - Strength, durability, stability and safety
Requirements for non-domestic seating

Foam fire rating:

CAL117-2013 - pass
BS 5852 Crib5: on request

Stock Versions



Customisation Options

Backrest and seat options



Leather qualities (seat only)



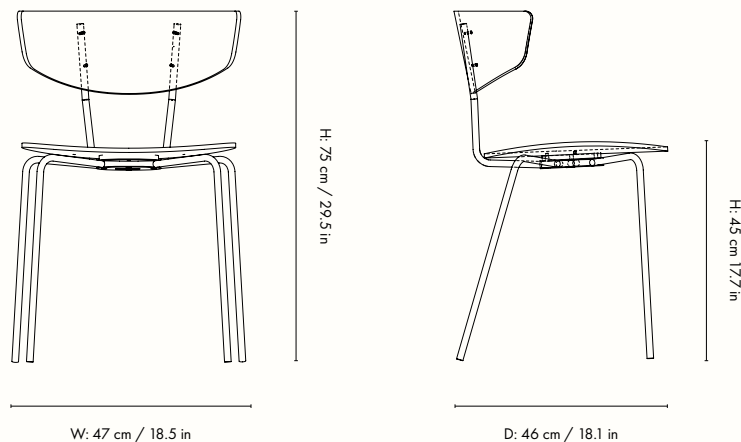
Fabric qualities (seat only)



To see the specifications of each fabric and available colour assortment please go to the fabric and leather overview. Felt Gliders must be ordered separately against price supplement



Measurements





Herman Counter Chair

Design by Herman Studio

Product details

Manufactured in Latvia
Registered design

Dimensions

Height: 87 cm / 34.3 in
Width: 39.6 cm / 15.5 in
Depth: 39.4 cm / 15.5 in
Seat height: 64 cm / 25 in
Weight: 4.9 kg / 10.8 lb (without upholstery)
5.1 kg / 11.2 lb (seat upholstered)

Materials and construction

Backrest/seat: White oiled oak or painted ash veneer
Upholstered seat: Birch veneer upholstered with PU foam and fabric or leather
Frame: Black powder coated steel
Glides: Plastic or felt glide
FSC™ Mix certified wood

Care

Please see fermiving.com for care and maintenance instructions

Packsize

1

Attention

This seating is tested to meet relevant strength and durability standards
Tests are based on a person's weight of 110 kg / 242 lb

Test

EN 16139:2013

Furniture - Strength, durability, stability and safety
Requirements for non-domestic seating

Foam fire rating:

CAL117-2013 - pass

BS 5852 Crib5: on request



The mark of responsible forestry

Stock Versions



9420
Black



1104265494
White Oiled Oak

Customisation Options

Backrest and seat options



Black



White
Oiled Oak

Leather qualities (seat only)



Leather
Envy



Leather
- Ultra

Fabric qualities (seat only)



Bouclé



Grain



Tonus
4



Hallingdal
65

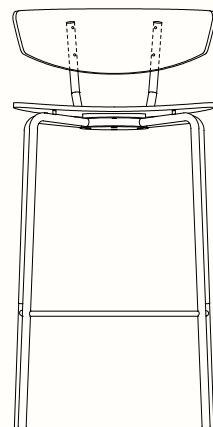


Soft
Bouclé

NEW

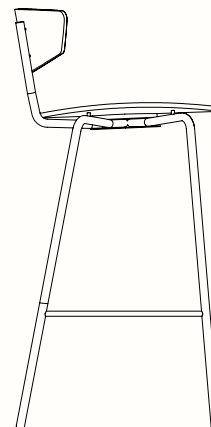
To see the specifications of each fabric and available colour assortment please go to the fabric and leather overview. Felt Gliders must be ordered separately against price supplement

Measurements



W: 39.5 cm / 15.6 in

H: 87 cm / 34.3 in



D: 39.5 cm / 15.6 in

H: 64 cm / 25.2 in



Herman Bar Chair

Design by Herman Studio

Product details

Manufactured in Latvia
Registered design

Dimensions

Height: 96 cm / 37.8 in
Width: 40.5 cm / 15.7 in
Depth: 43 cm / 16.9 in
Seat height: 76 cm / 29.9 in
Weight: 5.1 kg / 11.2 lb (without upholstery)
5.3 kg / 11.7 lb (seat upholstered)

Materials and construction

Backrest/seat: White oiled oak or painted ash veneer
Upholstered seat: Birch veneer upholstered with PU foam and fabric or leather
Frame: Black powder coated steel
Glides: Plastic or felt glide
FSC™ Mix certified wood

Care

Please see fermiving.com for care and maintenance instructions

Packsize

1

Attention

This seating is tested to meet relevant strength and durability standards.
Tests are based on a person's weight of 110 kg / 242 lb

Test

EN 16139:2013
Furniture - Strength, durability, stability and safety
Requirements for non-domestic seating

Foam fire rating:

CAL117-2013 - pass
BS 5852 Crib5: on request

Stock Versions



9421
Black



1104265495
White Oiled Oak

Customisation Options

Backrest and seat options



Leather qualities (seat only)



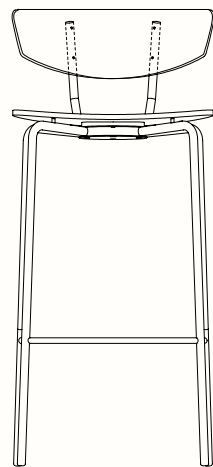
Fabric qualities (seat only)



To see the specifications of each fabric and available colour assortment please go to the fabric and leather overview. Felt Gliders must be ordered separately against price supplement

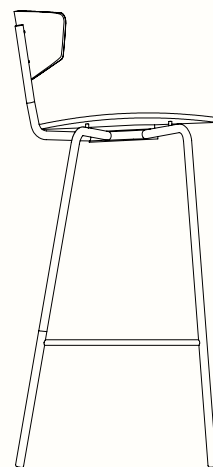


Measurements



W: 40.5 cm / 15.9 in

H: 95.9 cm / 29.1 in



D: 42.8 cm / 16.9 in

H: 76.2 cm / 30 in



Herman Lounge Chair

Design by Herman Studio

Product details

Manufactured in Latvia
Registered design

Dimensions

Height: 68 cm / 26.8 in
Width: 68 cm / 26.8 in
Depth: 60 cm / 23.6 in
Seat height: 37 cm / 14.6 in
Weight: 6.9 kg / 15.2 lb (without upholstery)
7.3 kg / 16.1 lb (seat upholstered)

Materials and construction

Backrest/seat: Painted ash veneer
Upholstered seat: Birch veneer upholstered with PU foam and fabric or leather
Frame: Black powder coated steel
Glides: Plastic or felt glide
FSC™ Mix certified wood

Care

Please see fermiving.com for care and maintenance instructions

Packsize

1

Attention

This seating is tested to meet relevant strength and durability standards.
Tests are based on a person's weight of 110 kg / 242 lb

Test

EN 16139:2013

Furniture - Strength, durability, stability and safety
Requirements for non-domestic seating

Foam fire rating:

CAL117-2013 - pass
BS 5852 Crib5: on request

Stock Versions



9404
Black

Customisation Options

Backrest and seat options



Black

Leather qualities (seat only)



Leather
Envy



Leather
- Ultra

Fabric qualities (seat only)



Bouclé



Grain



Tonus
4



Hallingdal
65



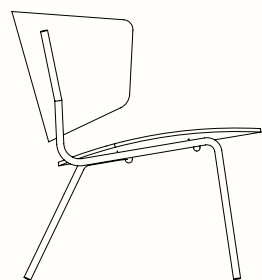
Soft
Bouclé

NEW

To see the specifications of each fabric and available colour assortment please go to the fabric and leather overview. Felt Gliders must be ordered seperately against price supplement

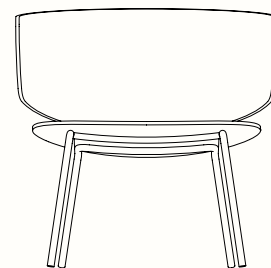


Measurements



D: 60 cm / 23.6 in

H: 37 cm / 14.6 in



W: 68 cm / 26.8 in

H: 68 cm / 26.8 in



Herman Lounge Chair - Wooden Frame

Design by Herman Studio

Product details

Manufactured in Latvia
Registered design

Dimensions

Height: 71 cm / 28 in
Width: 72.5 cm / 28.5 in
Depth: 64.5 cm / 25.4 in
Seat height: 43 cm / 16.9 in
Weight: 7.5 kg / 16.5 lb

Materials and construction

Upholstered seat/back: Birch veneer upholstered with PU foam and fabric or leather
Frame: Natural solid oak or painted solid ash
Glides: Plastic or felt glides
FSC™ Mix certified wood

Care

Please see fermiving.com for care and maintenance instructions

Packsize

1

Attention

This seating is tested to meet relevant strength and durability standards. Tests are based on a person's weight of 110 kg / 242 lb

Test

EN 16139:2013
Furniture - Strength, durability, stability and safety
Requirements for non-domestic seating

Foam fire rating:

CAL117-2013 - pass
BS 5852 Crib5: on request



1104265573
Natural Oak



1104265806
Black

Customisation Options

Frame option



Natural Oak Black

Leather qualities (seat only)



Leather Envy Leather - Ultra

Fabric qualities (seat only)

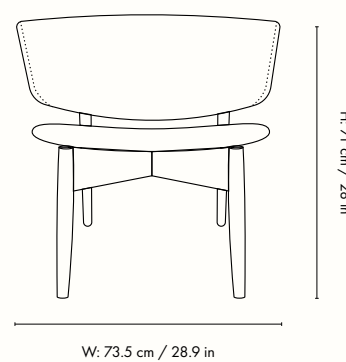
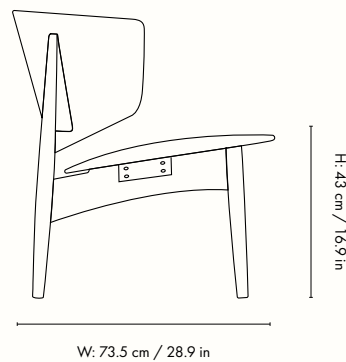


Bouclé Grain Tonus 4 Hallingdal 65 Soft Bouclé

To see the specifications of each fabric and available colour assortment please go to the fabric and leather overview. Felt Gliders must be ordered separately against price supplement



Measurements



Fabric and Leather Options

Herman Collection

Price Group 1

Brushed	
Soft Bouclé	•

Price Group 2

Faded Velvet	
Grain	•
Hot Madison	

Price Group 3

Bouclé	•
Check	
Louisiana	
Nordic Bouclé	
Pasadena	

Price Group 4

Confetti Bouclé	
Leather - Ultra	•
Rich Linen	
Tonus 4	•
Wool Bouclé	

Price Group 5

Hallingdal 65	•
Leather - Envy	•

Separate overview available for UK and US



Space to feel comfortably you