

# Halifax Chair

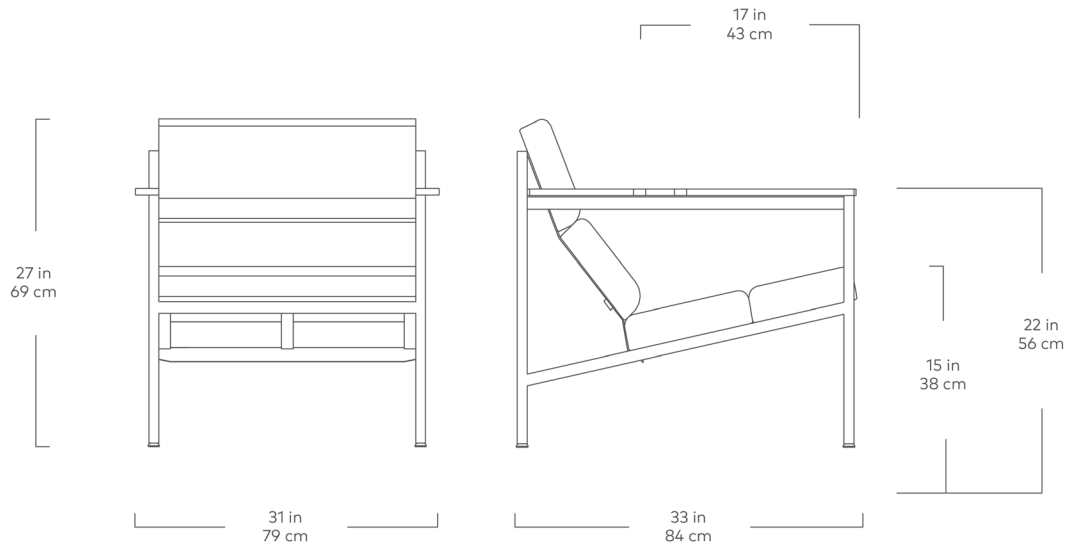


Andorra  
Almond

The Halifax is a contemporary accent chair with a laid-back, industrial feel. Faceted upholstery panels rest on a precision welded, powder-coated steel frame. Solid wood, paddle armrests help soften the strong lines of this unique design. Upholstered panels use FSC®- Certified hardwood products in support of responsible forest management.

Design Trade Professionals: We aim to keep our designs in stock and ready to ship quickly for projects on a tight timeline. Designs may be customized with COM and alternate finishes (minimum quantities may apply). Visit [guscontract.com](http://guscontract.com) for more information about our Trade & Contract programs.

# Halifax Chair



- Bench-made, solid steel frame.
- Frame is finished in durable powder-coat.
- Paddle armrests have exposed ply edges and walnut or painted ash finish.
- Durable, oil-based polyurethane finish on armrests.
- Bumpers on the bottom of legs to protect hardwood floors.
- Four cushion panels are attached to the steel frame.
- Constructed using, FSC®-Certified hardwood (FSC® 092551).
- Cushion panels are crafted with high resiliency polyurethane foam covered in a Dacron wrap to maintain shape.
- Manufactured to meet California TB117-2013 fire safety standards without the use of flame retardant additives in the upholstery foam.
- Wood is a natural material, with variations in grain pattern and colour that make each design unique.

