

Milton Floor Lamp

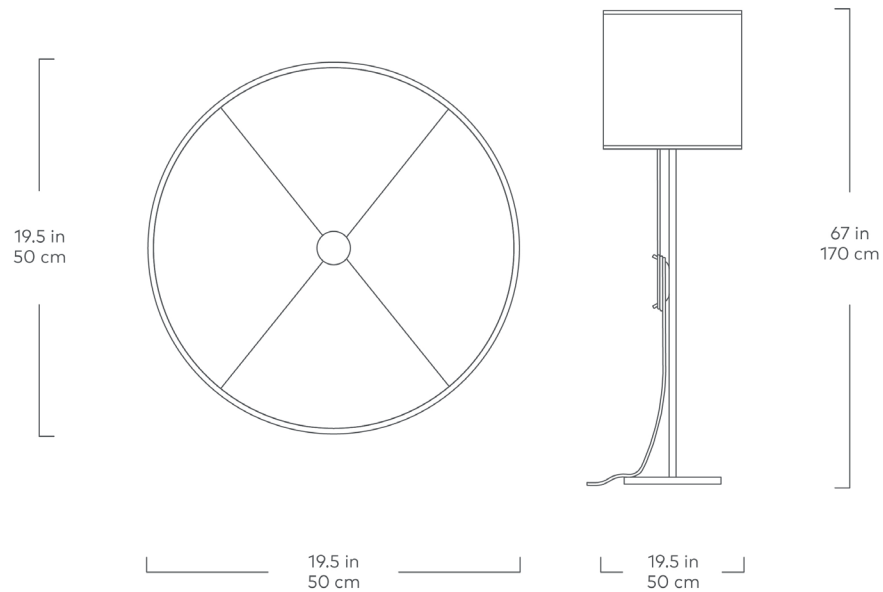


Natural
Ash Veneer

A love letter to the beauty of nature, the Milton lighting collection focuses on the unique intricacy of woodgrain to create an illuminating drum design. Featuring an oversized shade made from natural wood veneer, the Milton Floor Lamp will stand proud in your room, captivating all who enter. The sleek black powder-coated base features a handy pronged holder to corral extra cord (no tripping here!), with a convenient foot switch for easy on-off functionality.

Design Trade Professionals: We aim to keep our designs in stock and ready to ship quickly for projects on a tight timeline. Designs may be customized with COM and alternate finishes (minimum quantities may apply). Visit gusmodern.com for more information about our Trade & Contract programs.

Milton Floor Lamp



- Crafted from a piece of natural ash veneer.
- Has a plastic inner lining and finished with a fabric trim at the top and bottom.
- Stem has a metal pronged hook for efficient cord management.
- Twisted black fabric electrical cord with convenient foot switch.
- Black powder-coated weighted base.
- UL Listed.
- Recommended lightbulb is a 60W bulb or LED equivalent.
- Wood is a natural material, with variations in grain pattern and colour that make each design unique.