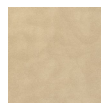


# Kelso Chair



Lariat  
Aberdeen

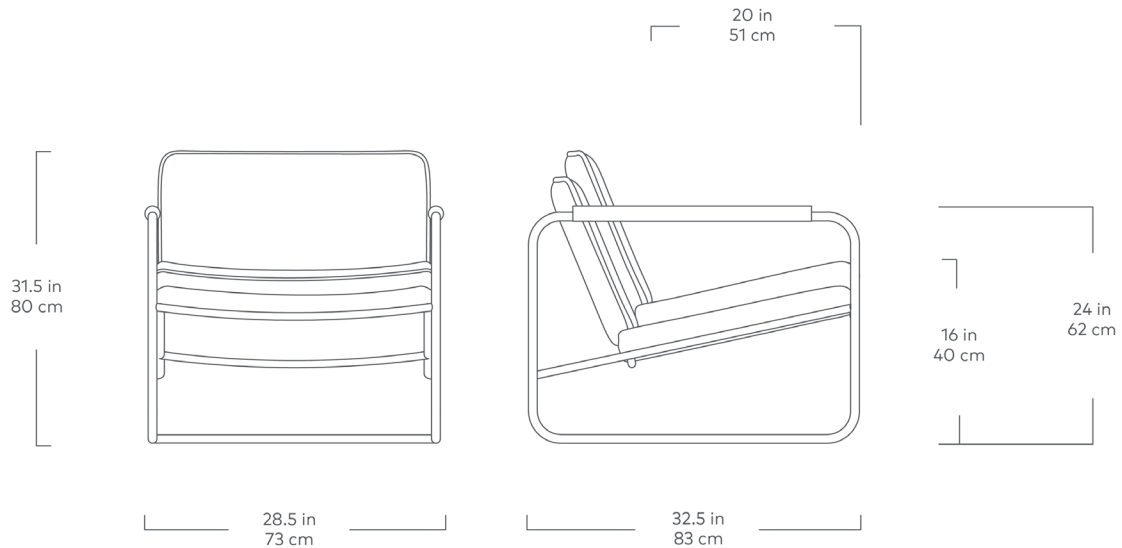


Lariat  
Savannah

The design goal for Kelso was to create a visually striking accent chair that didn't sacrifice comfort for style. This was achieved by clever use of materials and construction, resulting in an extraordinary chair that looks as good as it feels when lounging in it. Details like a tubular steel frame and integrated wood dowel armrests give Kelso a confident, industrial-modern aesthetic which is juxtaposed against delicate, knife-edge seat and back cushions that offer a surprisingly comfy place to relax. Fabric with a nubuck-like feel was chosen to further enhance the chair's allure and give it a warm, tactile quality.

Design Trade Professionals: We aim to keep our designs in stock and ready to ship quickly for projects on a tight timeline. Designs may be customized with COM and alternate finishes (minimum quantities may apply). Visit [gusmodern.com](https://gusmodern.com) for more information about our Trade & Contract programs.

# Kelso Chair



- Knife-edge, pillow top seat and back cushions are crafted with Dacron-wrapped, high resiliency, medium density foam.
- Velcro attachments underneath cushions for a secure connection to upholstered frame.
- Kiln-dried FSC®-Certified hardwood (FSC® 092551) wood frame with an elastic webbing suspension system.
- Bench-made, powder-coated solid steel, sled base frame with solid FSC®-Certified ash or walnut arm detailing.
- Non-marking leveler feet integrated into base to protect hardwood floors and can be adjusted for stability on uneven floor surfaces.
- Manufactured to meet California TB117-2013 fire safety standards without the use of flame retardant additives in the upholstery foam.
- Wood is a natural material, with variations in grain pattern and colour that make each design unique.

