

# SECTOR SHELF & DESK

PRODUCT INFO



ferm  
LIVING

# SECTOR SHELF & DESK

A new and modern take on mid-century shelving units, Sector is defined by its sturdy simplicity and classic combination of wood and brass. Choose between natural oak veneer or black stained ash veneer with brackets of either polished or blackened brass.

The Sector Shelves can be used as a standalone shelf, or combined to form one larger shelving unit. Use them to display books and favourite objects in the office or living room, or for open storage in the kitchen. The shelving system is available in two sizes and is attached to the wall by the solid wood uprights with visible brass or black screws.

The Sector Desk can likewise be used as a standalone surface or combined with the Sector Shelves of your choice to form one integrated and cohesive workspace. A short border at the end of the desk forms a small, narrow space that's ideal for propping up hand-written notes or a favourite photograph.

## PRODUCT DETAILS

**Product type:** For domestic use. For contract use, please contact ferm LIVING sales

**Origin:** Poland and India

**Construction:** Shelf: Natural oak / black stained ash veneer with MDF core  
Profiles: Natural solid oak / black stained solid ash  
Brackets: Brass or black brass with matte polish

ferm LIVING is determined to ensure a shelving system that will last for several years, without compromising its appearance.

**Info:** Screws and rawlplugs for wall mounting included.  
Registered design

**Assembly:** The shelving system contains the following parts:

- Shelf / shelves
- Profiles
- Brackets
- Screws and rawlplugs
- Hanging rod (only Rack Shelf)
- Assembly manual

### Step-by-step:

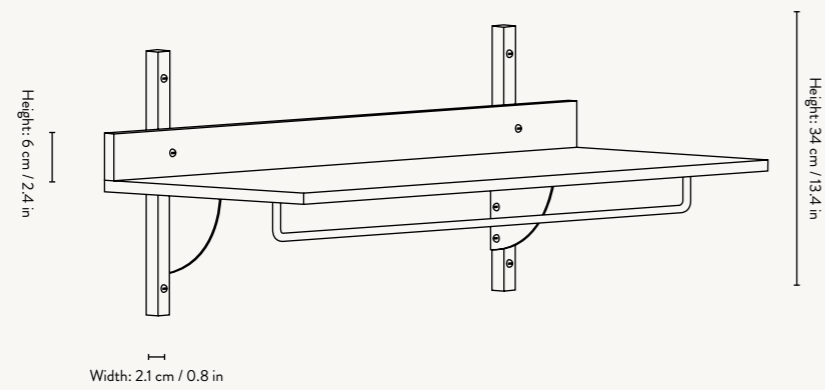
1. Start by mounting the brackets to each shelf. Two brackets per shelf and two short screws for each bracket.
2. Place the two profiles on a stable surface, like the floor or a solid table. The sides with the large holes should turn upwards. Start by attaching the upper shelf to the profiles and end with the lower shelf. Use the same short screws as before. Two screws for each bracket.
3. Find a position for the shelf and hold it against the wall. Make sure that it is level. Stick a screw through the holes to mark the drill holes on the wall.
4. Remove the shelf/desk from the wall. Drill the holes and insert rawlplugs. Attach the shelf/desk to the wall using the long screws.

## CARE AND CLEANING

**Care instructions:** Clean with a damp cloth tightly wrung out in clean water. Then polish with a soft, dry cloth. Use a mild solution of universal cleaning agent

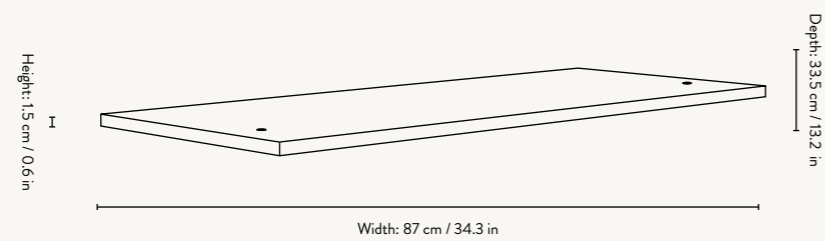


# RACK SHELF



Width: 2.1 cm / 0.8 in

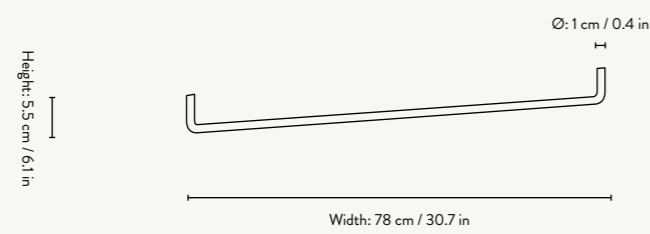
Width: 67 cm / 26.4 in



Height: 15 cm / 0.6 in

Width: 87 cm / 34.3 in

Depth: 15 cm / 0.6 in



Height: 5.5 cm / 6.1 in

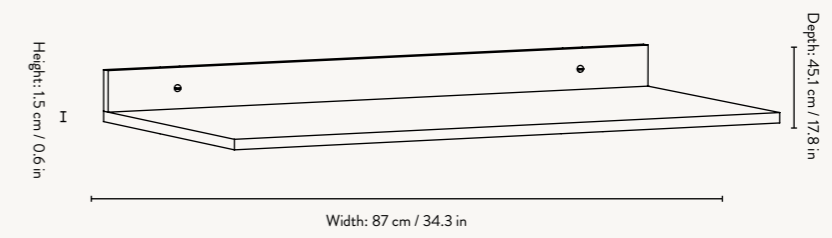
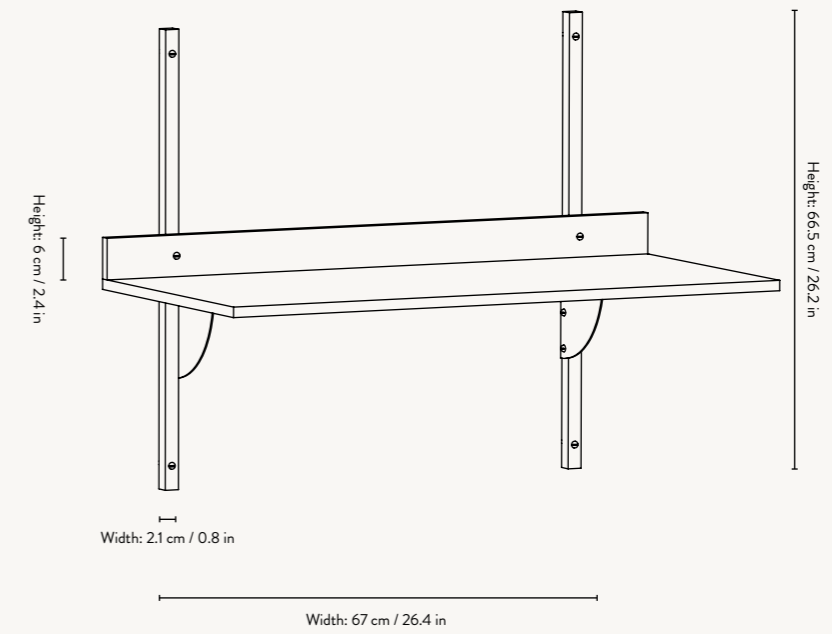
Width: 78 cm / 30.7 in

Ø: 1 cm / 0.4 in



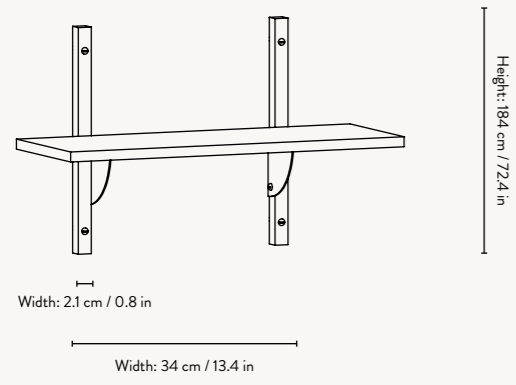


## DESK

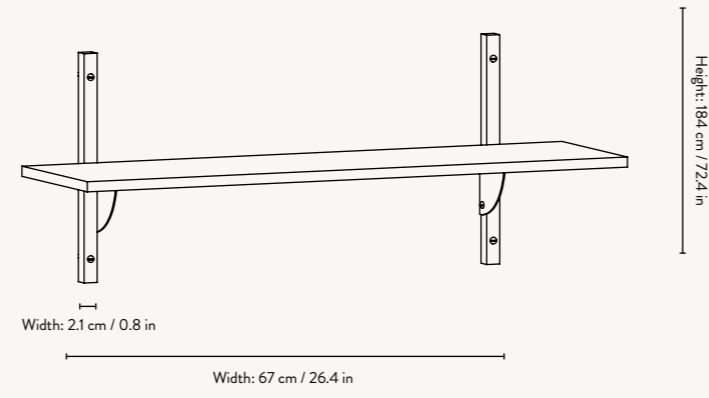


# SHELF

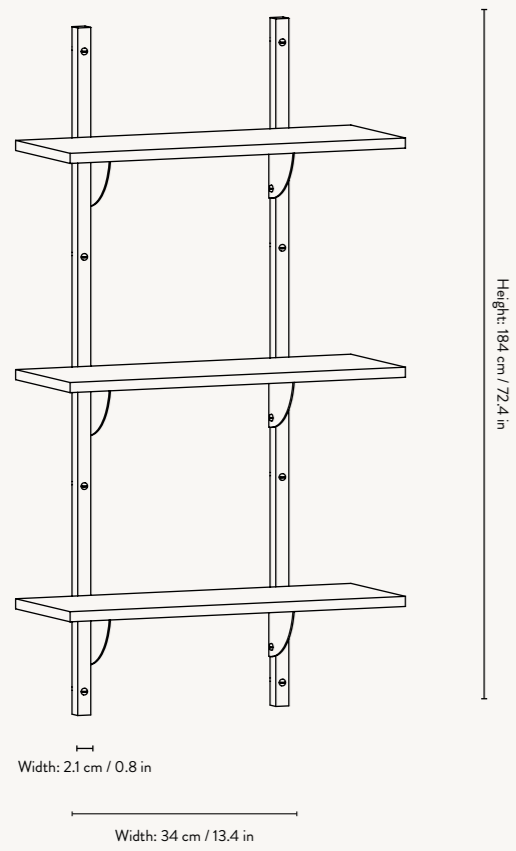
SINGLE NARROW



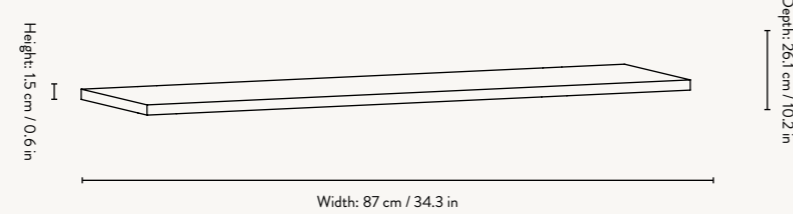
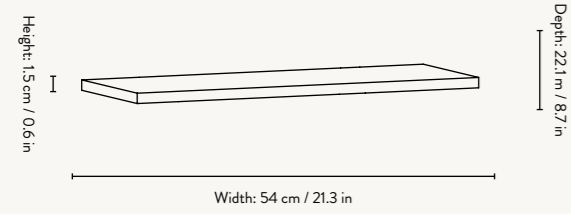
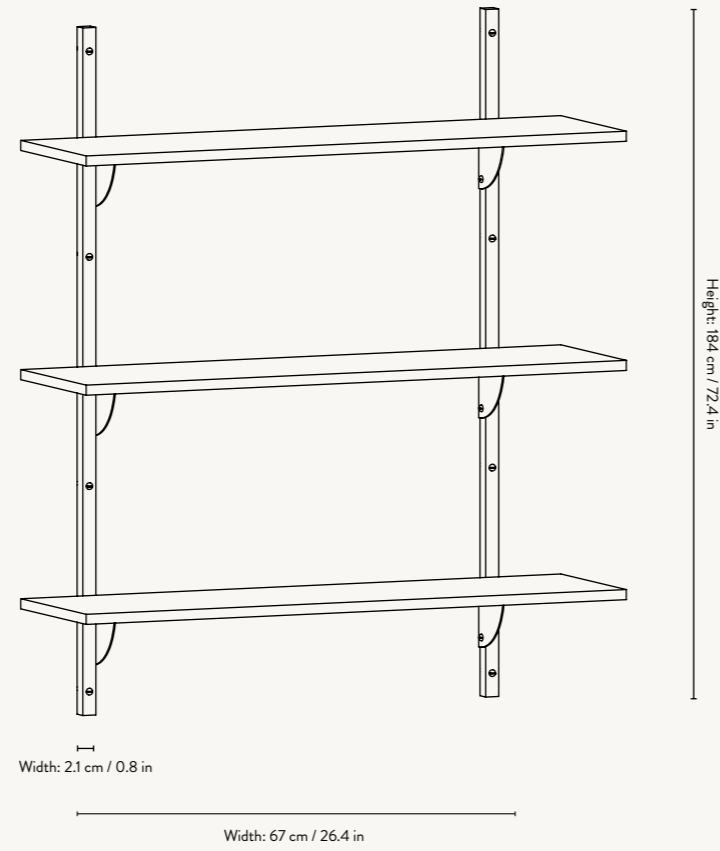
SINGLE WIDE



TRIPLE NARROW

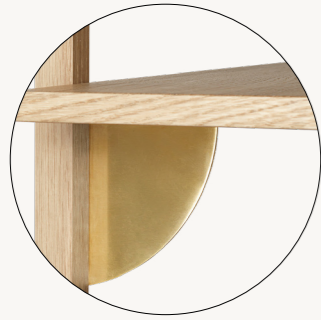


TRIPLE WIDE



# BRACKETS

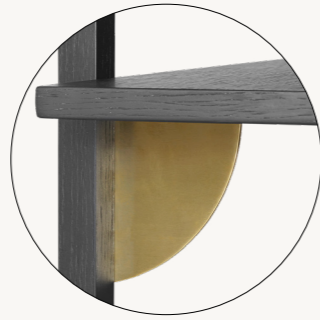
BRASS BRACKETS & NATURAL OAK



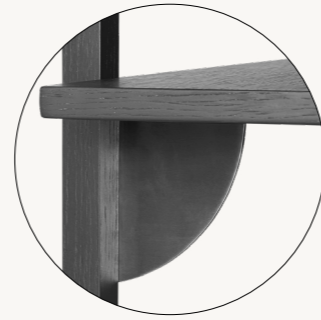
BLACK BRASS BRACKETS & NATURAL OAK



BRASS BRACKETS & BLACK ASH



BLACK BRASS BRACKETS & BLACK ASH



- 1103542858  
Black Ash / Black Brass
- 1103532860  
Black Ash / Brass
- 1103522859  
Oak / Black Brass
- 1103512852  
Oak / Brass



- 1103462858  
Black Ash / Black Brass
- 1103452860  
Black Ash / Brass
- 1103442859  
Oak / Black Brass
- 1103432852  
Oak / Brass

## SECTOR SINGLE - NARROW

**Size:** H: 34 x W: 54 x D: 22.1 cm  
H: 13.4 x W: 21.3 x D: 8.7 in  
**Material:** Shelf: Natural oak or black stained ash veneer with MDF core. Profiles: Natural solid oak or black stained solid ash.  
Brackets: Brass or black brass  
**Care:** Wipe with a damp cloth. Do not leave the surface wet. Brackets: This is a delicate surface. Please handle with care. Brass: Polish when needed. Solid brass is a natural material and will patinate over time.  
**Info:** The shelf can hold up to 20 kg, provided it has been properly mounted onto an appropriate wall. The included rawlplugs can only be used for brick or concrete walls. Registered design  
**Country:** Wooden parts: Poland. Brackets: India  
**Net. weight:** 1.5 kg  
**Packsizes:** 1

## SECTOR SINGLE - WIDE

**Size:** H: 34 x W: 87 x D: 26.1 cm  
H: 13.4 x W: 34.3 x D: 10.3 in  
**Material:** Shelf: Natural oak or black stained ash veneer with MDF core. Profiles: Natural solid oak or black stained solid ash.  
Brackets: Brass or black brass  
**Care:** Wipe with a damp cloth. Do not leave the surface wet. Brackets: This is a delicate surface. Please handle with care. Brass: Polish when needed. Solid brass is a natural material and will patinate over time.  
**Info:** The shelf can hold up to 20 kg, provided it has been properly mounted onto an appropriate wall. The included rawlplugs can only be used for brick or concrete walls. Registered design  
**Country:** Wooden parts: Poland. Brackets: India  
**Net. weight:** 2.8 kg  
**Packsizes:** 1

NEW



- 1104265324  
Black Ash / Black Brass
- 1104265323  
Black Ash / Brass
- 1104265322  
Oak / Black Brass
- 1104265321  
Oak / Brass



- 1104263249  
Black Ash / Black Brass
- 1104263248  
Black Ash / Brass
- 1104263247  
Oak / Black Brass
- 1104263246  
Oak / Brass



- 1103402858  
Black Ash / Black Brass
- 1103412860  
Black Ash / Brass
- 1103422859  
Oak / Black Brass
- 1103392852  
Oak / Brass



- 1103502858  
Black Ash / Black Brass
- 1103492860  
Black Ash / Brass
- 1103482859  
Oak / Black Brass
- 1103472852  
Oak / Brass

## SECTOR RACK SHELF

**Size:** H: 34 x W: 87 x D: 37 cm  
H: 13.4 x W: 34.4 x D: 14.6 in  
**Material:** Shelf: Natural oak or black stained ash veneer with MDF core. Profiles: Natural or black stained solid oak.  
Rod and brackets: Brass or black brass  
**Care:** Wipe with a damp cloth. Do not leave the surface wet. Brackets: This is a delicate surface. Please handle with care. Brass: Polish when needed. Solid brass is a natural material and will patinate over time.  
**Info:** The shelf can hold up to 20 kg, provided it has been properly mounted onto an appropriate wall. The included rawlplugs can only be used for brick or concrete walls. Registered design  
**Country:** Wooden parts: Poland. Brackets and rod: India  
**Net. weight:** 1.5 kg  
**Packsizes:** 1

## SECTOR DESK

**Size:** H: 66.5 x W: 87 x D: 45.1 cm  
H: 26.2 x W: 34.3 x D: 17.8 in  
**Material:** Shelf: Natural oak or black stained ash veneer with MDF core. Profiles: Natural solid oak or black stained solid ash.  
Brackets: Brass or black brass  
**Care:** Wipe with a damp cloth. Do not leave the surface wet. Brackets: This is a delicate surface. Please handle with care. Brass: Polish when needed. Solid brass is a natural material and will patinate over time.  
**Info:** The desk can hold up to 20 kg, provided it has been properly mounted onto an appropriate wall. The included rawlplugs can only be used for brick or concrete walls. Registered design  
**Country:** Wooden parts: Poland. Brackets: India  
**Net. weight:** 5.5 kg  
**Packsizes:** 1

## SECTOR TRIPLE - NARROW

**Size:** H: 102 x W: 54 x D: 22.1 cm  
H: 40.2 x W: 21.3 x D: 8.7 in  
**Material:** Shelf: Natural oak or black stained ash veneer with MDF core. Profiles: Natural solid oak or black stained solid ash.  
Brackets: Brass or black brass  
**Care:** Wipe with a damp cloth. Do not leave the surface wet. Brackets: This is a delicate surface. Please handle with care. Brass: Polish when needed. Solid brass is a natural material and will patinate over time.  
**Info:** The shelf can hold up to 20 kg, provided it has been properly mounted onto an appropriate wall. The included rawlplugs can only be used for brick or concrete walls. Registered design  
**Country:** Wooden parts: Poland. Brackets: India  
**Net. weight:** 4.2 kg  
**Packsizes:** 1

## SECTOR TRIPLE - WIDE

**Size:** H: 102 x W: 87 x D: 26.1 cm  
H: 40.2 x W: 34.3 x D: 10.3 in  
**Material:** Shelf: Natural oak or black stained ash veneer with MDF core. Profiles: Natural solid oak or black stained solid ash.  
Brackets: Brass or black brass  
**Care:** Wipe with a damp cloth. Do not leave the surface wet. Brackets: This is a delicate surface. Please handle with care. Brass: Polish when needed. Solid brass is a natural material and will patinate over time.  
**Info:** The shelf can hold up to 20 kg, provided it has been properly mounted onto an appropriate wall. The included rawlplugs can only be used for brick or concrete walls. Registered design  
**Country:** Wooden parts: Poland. Brackets: India  
**Net. weight:** 7.8 kg  
**Packsizes:** 1



## *Life is full of contrasts*

As we navigate expectations and dreams in the search for meaning and comfort, we long for a balanced life with room for chaos and calm, moments of reflection and times of joy. A place where we can be ourselves, realise the true value of things and feel at home.

Based on a passion for authentic design and clear functionality, we challenge ourselves to shape the future and take pride in creating products that help you balance the contrasts of life.

Our soft forms, rich textures and deep colours allow you to create an authentic and composed atmosphere, while avant-garde shapes, striking patterns and curious details add a touch of the unexpected.

From our base in Copenhagen, we work with artisans around the world, fusing our Scandinavian mindset with global skills and traditions. We take our responsibility to people and the planet seriously and expect the same of our partners.

We create collections of furniture, accessories and lighting, so you can create space to feel comfortably you.

Welcome home.

