

Designed by GamFratesi

PRODUCT



COLOURS



//Burnt Red



// Neutral White

DESCRIPTION

Base and table top are made from travertine stone. The stone comes with natural holes in the surface which is filled with resin and afterwards gets a protective treatment. Because travertine is a completely natural stone, no two pieces are exactly alike which will create a very diverse pattern.

VERSION

- Neutral White - column and top
- Burnt Red column and top

Rubber bumpers are underneath the column

TYPES

Order item - look for part number in the pricelist.
The series consists of the following:

- Epic Dining Table - Round, Ø130**
- Epic Coffee Table - Round, Ø110**
- Epic Coffee Table - Ø80**
- Epic Coffee Table - Ø60**



FACTS

MEASUREMENT

Height: 740 mm
Table top diameter: 1300 mm
Table top thickness: 20 mm
Column side: 230 mm

WEIGHT ITEM

Table tops:
Ø130: 66 kg

Column:
Dining column: 57 kg

PACKAGING TYPE

Wooden cradle, Foam

PACKAGING MEASUREMENT L X W X H CM

Table top Ø130: L: 140 X W: 140 X H: 7,5 CM Dining Column: L: 46 X W: 52 X H: 78 CM

WEIGHT PACKAGING - MATERIAL TYPE

Packaging travertine top Ø130: 76 kg

Packaging column: 29 kg

Packaging Total: Packaging table top + Packaging column
105,3 kg

WEIGHT TOTAL:

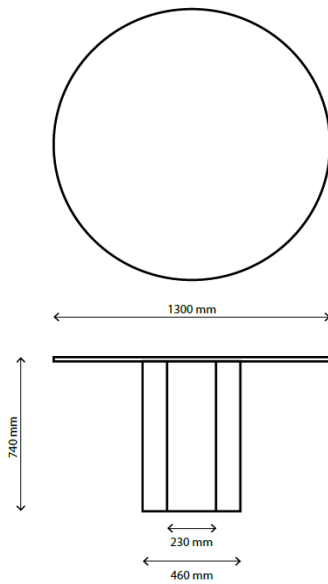
228,3 kg

NUMBER OF PARCELS

2 psc.

Designed by GamFratesi

MEASUREMENTS

**CLEANING AND MAINTENANCE**

For travertine maintenance, see the included travertine instruction sheet.

ENVIRONMENT

Parts can be separated and sorted for recycling.

TESTS

Maximum cantilever load 32.5 kg according to EN 1730

CERTIFICATION AND LABELS
