

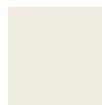
Elora Media Stand



Satin
Chiffon



Satin
Dusk

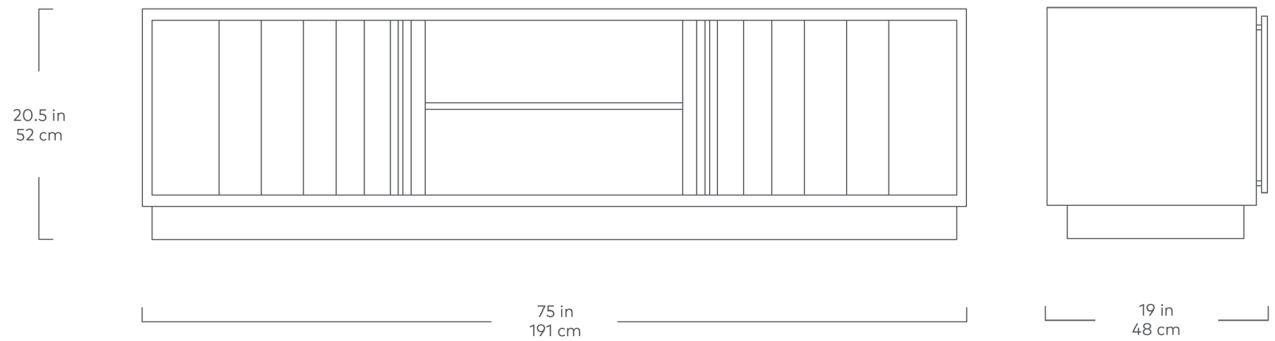


Satin
Pearl

The Elora Media Stand combines the traditional aesthetic of classic beadboard cabinets with solid craftsmanship and muted, contemporary hues to create a distinctly modern design. Featuring a smooth satin finish, delicate brass-plated handles, and precision-cut doors on an elevated platform, the Elora Media Stand provides ample storage within a minimalist, contemporary form. Designed for Hi-Fi and media components, a back panel opening allows for concealed cable management. Part of the Elora Storage Series, this Media Stand matches perfectly with the End Table and Cabinet.

Design Trade Professionals: We aim to keep our designs in stock and ready to ship quickly for projects on a tight timeline. Designs may be customized with COM and alternate finishes (minimum quantities may apply). Visit gusmodern.com for more information about our Trade & Contract programs.

Elora Media Stand



- Constructed with engineered wood panels which feature a painted, subtle satin finish.
- Door faces feature graduated, precision-cut V-grooves and brass-plated handles.
- Brass handles are inherently antimicrobial and assist in decreasing the spread of germs.
- Two exterior doors run on a silver aluminum track and can be positioned for convenient access and concealment.
- Features three storage sections, each with an adjustable shelf for efficient storage space.
- All adjustable shelves and vertical interior support panels have openings for efficient cable management.
- Interior of media stand seamlessly matches the painted, smooth satin finish of the exterior.
- Plastic bumpers on the platform base to protect hardwood floors.
- CARB (California Air Resources Board) Phase II compliant.

