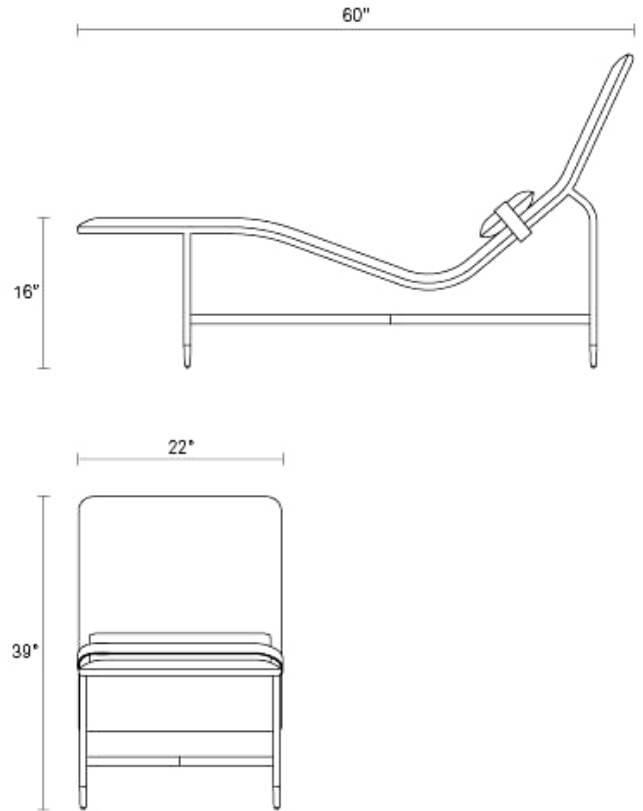


Deep Thoughts Leather Chaise



Leather wrapped contours form a relaxing position that equally invites introspection and socialization. The contrasting lumbar pillow slides to be where you want it and blackened steel base provides all the support needed to start your journey of taking a damn load off. Lounge chair also available.



CAMEL
LEATHER



INK LEATHER



LODEN GREEN
LEATHER

Product Details

- Oblivion powder-coated steel base
- Adjustable glides
- Adjustable lumbar pillow with snap closure strap; magnet holds pillow in high or low position
- Steel tube frame with wood shell wrapped in foam and batting
- Camel Leather: An aniline leather that has been burnished and polished to create a cool hand and velvety texture with a slight sheen, enhancing the natural character of the leather; A lovely patina will develop over time; Leather seat with coordinating camel velvet chair back
- Ink Leather: An aniline leather with a soft matte finish and velvety feel; Variation in the natural leather becomes more beautiful with use; Leather seat with coordinating ink velvet chair back
- Loden Green Leather: A full aniline leather that is buffed and finished with a light wax and clear topcoat for a smooth, natural look and feel; the leather's surface is further polished with heat and pressure for a clean, modern aesthetic
- Color variation is a signature to the authenticity of natural leather
- BIFMA rated

DS1-CHAISE-CA**CAMEL LEATHER****\$2,199.00****DS1-CHAISE-IN****INK LEATHER****\$2,199.00****DS1-CHAISE-GR****LODEN GREEN LEATHER****\$2,199.00**

Are you a trade professional? **Visit bludot.com/trade-contract**

BLUDOT.COM**TEL 844.425.8368****service@bludot.com**