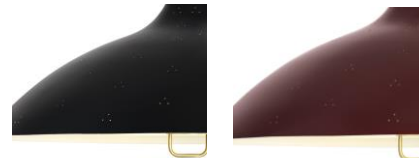


Designed by Paavo Tynell

PRODUCT



COLOURS



// Soft Black

// Chianti Red



// Classic White

// Brass



// Bistro Green

DESCRIPTION

The 1965 Pendant was originally designed by Paavo Tynell in 1948. Like many of his best-known designs, the pendant was designed for the Finland House in New York - one of the most ambitious and successful projects of all time to showcase Finnish design. Perfecting the techniques of metal finishes, Tynell developed the 1965 Pendant with his exceptional ability to capture and translate a grace and exuberant lightness into his brass creations. Characterized by its triangular perforation pattern, an artistic detail utilised by Tynell in several of his lighting objects, the 1965 Pendant reflects the distinguished craftsmanship of the Finnish designer. With a frosted glass diffuser that softens the light, the pendant contributes to a subtle and tranquil environment.

VERSION - 1965 Pendant

Canopy and small parts // Polished Brass.

Fabric wire // Brass.

Wire // Steel.

Diffuser // Transparent glass, frosted on one side.

Shade variations // Brass, Black, White, Red, or Green.

- Brass / White inside // Polished Brass / RAL 9002 // Shiny / Gloss level 10-15
- Soft Black / White inside // RAL 9011 / RAL 9002 // Gloss level 15-20 / Gloss level 10-15
- Classic White / White inside // RAL 9002 / RAL 9002 // Gloss level 15-20 / Gloss level 10-15
- Chianti Red / White inside // RAL 3004 / RAL 9002 // Gloss level 15-20 / Gloss level 10-15
- Bistro Green / White inside // RAL 6012 / RAL 9002 // Gloss level 15-20 / Gloss level 10-15

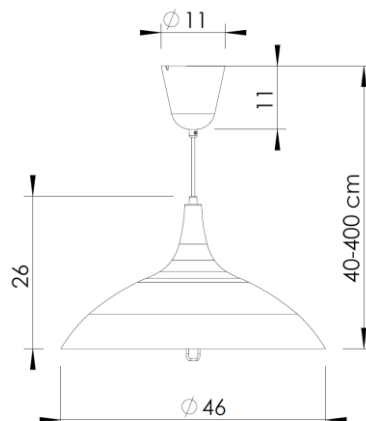
Due to natural materials surface and structure can vary.

MEASUREMENTS

Order item - look for part number in the pricelist.

Series contains the following:

- A1965 Pendant**
- 5321 Table Lamp**
- 9464 Wall Lamp**
- 9602 Floor Lamp**



FACTS

MEASUREMENT LAMP- L X W X H MM

Height: 26 cm

Shade: Ø46 cm

Cord - exposed out of lamp: App. 380 cm

WEIGHT ITEM - LAMP INCL. WIRE

3,3 kg

PACKAGING TYPE

Cardboard box

PACKAGING MEASUREMENT - L X W X H CM

L:53 X W:53 X H:35 cm

WEIGHT PACKAGING TOTAL

1,8 kg

WEIGHT LAMP + PACKAGING - TOTAL

5,1 kg

NUMBER OF PARCELS

1 pcs.

ACCESSORIES

-

ENVIRONMENT

-

TESTS

-

CERTIFICATION AND LABELS

UL Certified according to Unites States and Canadian National Standards - Listed

SAFETY INSTRUCTIONS

If the cord or other electrical part is damaged, switch of the lamp and do not use it until it is repaired by a qualified electrician.

INSTALLATION INSTRUCTIONS

Instructions document no.: 64-20-003-01



CARE INSTRUCTIONS

Daily cleaning can be done by wiping the frame with a clean dry cloth. Should the surface need more attention, this can be cleaned with water and a light detergent or soap applied with a damp cloth. Wipe after with a clean dry cloth. Avoid any glasscleaners.

TROUBLESHOOTING

If lamp does not light, turn off the power. Check the bulb for a broken filament. Replace bulb if necessary, then turn it on. If the lamp still does not light, please contact customer service at the local dealer. If the external heating cable or cord of the lamp is damaged, it must be replaced by a qualified electrician in order to avoid a hazard.

TECHNICAL INFORMATION

Light source: 3x E26, 915 Lumen
 3x 60W Incandescent, 3x46W Halogen, 3x 10W LED Dimmable
 *Turn power off when changing light bulb. Installation class 2. This lamp is not approved for outdoor use or use in damp/wet rooms (D20).

SAFETY INSTRUCTIONS

SAFETY INSTRUCTIONS PERTAINING TO FIRE OR FIRE, ELECTRIC SHOCK, OR PERSONAL INJURY!
 WARNING: Lightbulb bulb open MUST be hot touch when on.
 CAUTION: Keep lamp away from curtains, bedding, towels, and any other flammable materials. Do not look directly at lighted bulb. Turn off / unplug and allow lamp to cool before replacing bulb, cleaning or other maintenance. Do not use on the bathroom or other similar areas.
 CAUTION: TO PREVENT THE RISK OF FIRE, USE ONLY THE BULB. MAX. 2x 80 WATT E26, 120V 60Hz AC ONLY.
 Do not exceed recommended wattage.
 CAUTION: IMPORTANT: LAMP MUST BE INSTALLED BY A QUALIFIED ELECTRICIAN.

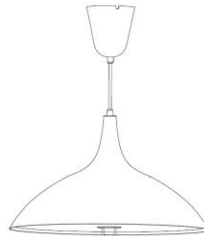


For enquiries contact GUBI A/S - CVR: 37940084
 Kløvdalvej 73, 2150 Nordhavn, Copenhagen, Denmark
 T +45 49 15 40 40 - orders@gubi.com
 GUBI.COM

64-20-003-01 Assembly Instructions 1965 Pendant US

GUBI

ASSEMBLY INSTRUCTIONS for 1965 Pendant



LIGHT SOURCE:

- Socket: E26 base
- Bulb types recommended:



- Recommended light sources:

If LED is chosen, only dimmable versions work.
 810 Lumen (~ 60W incandescent)
 ~ 40W halogen ~ 6-10W LED)

- Max. light out put for above lamps:

3 x 60W Incandescent ~
 3x46W Halogen
 By LED 1530 Lumen (~ 13-16W)

- Best result is achieved with with a CRI (Colour Rendering Index) larger than 90.

- Lightbulb not included.

- All lamps can be fitted with a dimmer.
- Please contact your local electrician.

- US plug: Type A, 2 PIN, 15 amp, (NEMA 1-15)

- US voltage: 120 V

- Frequency: 60 Hz

- Supply voltage: AC power ~

- Normally Closed: IP20



Class II / Double insulated



Mark for Canada and the U.S.

GUBI

ASSEMBLY INSTRUCTIONS

CONTENTS

1965 Pendant

