

Designed by Mathieu Matégot

PRODUCT



COLOURS



// Black

Item no.: 25003-0x + style code
Black: 25003-01

DESCRIPTION

Mathieu Matégot creates his legendary pieces in 1950s. The three-legged Nagasaki Chair is Matégot's best known piece. The stool is made of perforated metal sheet and welded on a four-legged metal frame. Besides the stool the collection consists of Nagasaki chair, Dedal bookshelf, Kangourou sofa table, Coatrack Demon shelves, Trolley and Copacabana collection. All models are made of powder-lacquered steel.

VERSION

RAL codes are indicative.

- Black // RAL 9005 / gloss level 30

SERIE

Order item - look for part number in the pricelist.

The series consists of the following:

Nagasaki chair, Nagasaki stool, Kangourou table, Dedal shelf, Coat rack, Demon shelf, Trolley, Copacabana chair, Copacabana table



FACTS

MEASUREMENT - *H X W X D MM*

Sitting height: 720mm
Chair height: 735 mm
Chair width: 390 mm
Chair depth: 375 mm

WEIGHT ITEM

4,04 kg

PACKAGING TYPE

Cardboard box

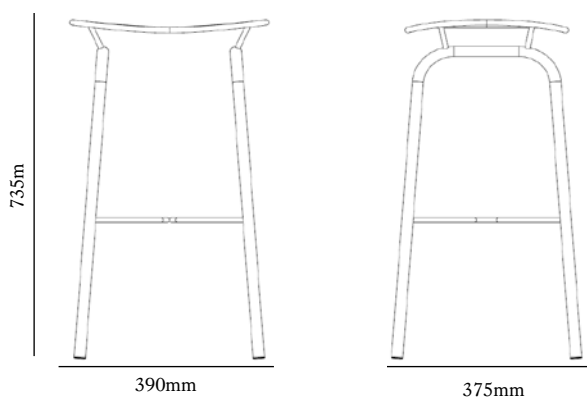
PACKAGING MEASUREMENT - *L X W X H CM*

40 X 40 X 76 cm

WEIGHT PACKAGING - *MATERIAL TYPE*

- Delivery note: 15 g
- Cardboard outerbox, FEFCO quality EB85BB: 1260 g
- Polybag PE: 20 g
- LD-EPS foam protector: 460 g
- Bubble plastec wrapped: 40 g
- Strapping: 40 g

CHAIR MEASUREMENTS



WEIGHT PACKAGING - *TOTAL*

5,975 kg

NUMBER OF PARCELS

1 pcs.

ACCESSORIES

-

CLEANING AND MAINTENANCE

- For dusting and light cleaning of the metal surface and frame use a soft, dry cloth.
For further cleaning, use a soft cloth that is firmly wrung in clean water for gently wiping the surface, and then immediately use a dry cloth to wipe the surface again.
If more thorough cleaning is necessary, use a mild detergent or washing-up liquid dissolved in water on a firmly wrung cloth. Afterwards, repeat the process with clean water as described above.
Polish with a soft cloth after wiping.
Do not use materials for maintenance that:

- Contain abrasive agents.
- Are basic, acidiferous or organic.

For the best maintenance of the product, protect it against sunlight and heat, and try to keep it away from moisture, grease and other dirt.
Furthermore, protect the surfaces against sharp objects and other that might scratch.

ENVIRONMENT

Parts can be separated and sorted for recycling.

TESTS

-

CERTIFICATION AND LABELS

-