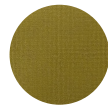
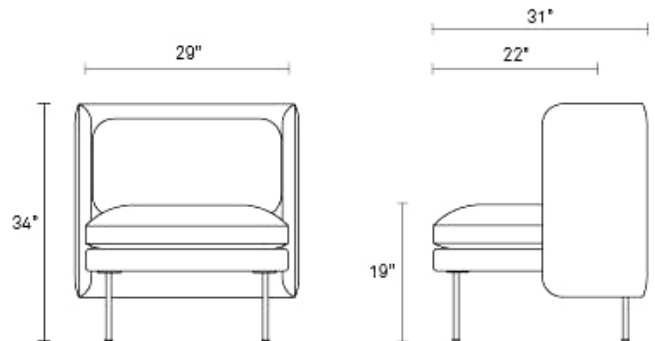


Bloke Lounge Chair



With a sheltering high back that envelops a loose seat and back cushion, Bloke is equal parts refined haven and chair. A well-mannered guest in any space, Bloke works its restrained proportions to the max and flaunts a thin, rounded powder-coated steel leg. Fit for the Queen or keggers, Bloke is a sophisticate that knows how to have a lot of fun. Shop the entire Bloke Collection



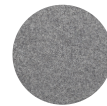
OCHRE VELVET



ROSTENKOWSKI BLUE



TAIT STONE



GABRO GREY

Product Details

- Kiln-dried hardwood frame
- High resiliency foam seat cushions
- Powder-coated steel legs
- Rostenkowski Blue: Navy powder-coated steel legs, 80% Polyester / 20% Linen upholstery | 50,000 Double Rubs
- Tait Stone: Slate powder-coated steel legs, 90% Polyester / 10% Linen blend upholstery | 50,000 Double Rubs
- Gabro Grey: Oblivion powder-coated steel legs, 70% Wool / 20% Polyester / 5% Nylon / 5% Acrylic blend upholstery | 100,000 Double Rubs
- Ochre Velvet: Ochre powder-coated steel legs, 100% Polyester upholstery | 50,000 Double Rubs
- Some assembly required

BL1-LNGCHR-OC

BL1-LNGCHR-BL

BL1-LNGCHR-ST

BL1-LNGCHR-GY

OCHRE VELVET

ROSTENKOWSKI BLUE

TAIT STONE

GABRO GREY

\$1,999.00

\$1,699.00

\$1,799.00

\$1,999.00

Are you a trade professional? Visit [bludot.com/trade-contract](https://www.bludot.com/trade-contract)