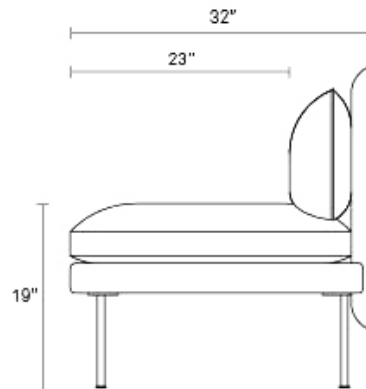
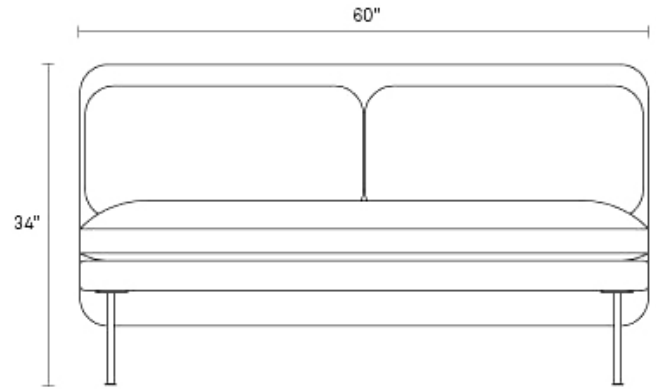


Bloke 60" Armless Sofa



With a sheltering high back that envelops a loose seat and back cushion, Bloke is equal parts refined haven and sofa. A well-mannered guest in any space, Bloke works its restrained proportions to the max and flaunts a thin, rounded powder-coated leg. Fit for the Queen or keggers, Bloke is a sophisticate that knows how to have a lot of fun. Shop the entire Bloke Collection



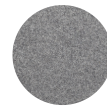
OCHRE
VELVET



ROSTENKOWSKI
BLUE



TAIT STONE



GABRO GREY

Product Details

- Sturdy kiln-dried hardwood frame
- High resiliency foam seat cushions with fiber padding wrap provide a mix of firm support and comfort
- Powder-coated steel legs
- Rostenkowski Blue: Navy powder-coated steel legs, 80% Polyester / 20% Linen upholstery | 50,000 Double Rubs
- Tait Stone: Slate powder-coated steel legs, 90% Polyester / 10% Linen blend upholstery | 50,000 Double Rubs
- Gabro Grey: Oblivion powder-coated steel legs, 70% Wool / 20% Polyester / 5% Nylon / 5% Acrylic blend upholstery | 100,000 Double Rubs
- Ochre Velvet: Ochre powder-coated steel legs, 100% Polyester upholstery | 50,000 Double Rubs
- Some assembly required

BL1-NARMSF-OC**BL1-NARMSF-BL****BL1-NARMSF-ST****BL1-NARMSF-GY****OCHRE VELVET****ROSTENKOWSKI BLUE****TAIT STONE****GABRO GREY****\$2,299.00****\$2,099.00****\$2,099.00****\$2,299.00**

Are you a trade professional? Visit bludot.com/trade-contract

BLUDOT.COM**TEL 844.425.8368****service@bludot.com**