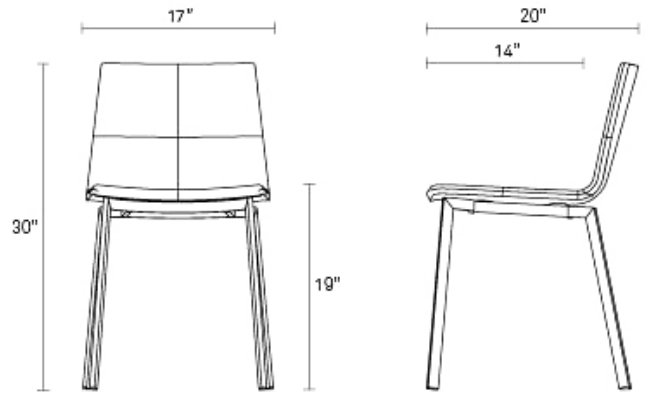


## Between Us Dining Chair



Rectangular steel legs bring a bit of edge and grid stitched upholstered seat and back lend texture and softness to this seating situation. Reliable in any setting, Between Us is a chair always prepared to be of service. Shop the entire Between Us Collection.



CAMEL LEATHER



GUNMETAL



INK LEATHER



TAIT BLUSH



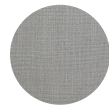
TAIT STONE



CREAM LEATHER



DIGIT WHITE



DIGIT GREY

### Product Details

- Bent wood construction with light all-over padding
- Black or putty powder-coated steel base
- Gunmetal: 100% Polyester | 30,000 Double Rubs
- Tait Blush: 90% Polyester / 10% Linen blend upholstery | 50,000 Double Rubs
- Tait Stone: 90% Polyester / 10% Linen blend upholstery | 50,000 Double Rubs
- Digit White and Grey: 92% Polyester / 8% Linen blend upholstery | 100,000 Double Rubs
- Ink and Camel Leather: An aniline leather with a soft matte finish and velvety feel; Variation in the natural leather becomes more beautiful with use
- Cream Leather: This semi aniline corrected leather has a pebble texture. it is marked by a silky smooth and drapery hand that exudes a more modern aesthetic; Offering color consistency throughout the hides, it is ideal for high traffic applications
- Color variation is a signature to the authenticity of natural leather
- Some assembly required
- BIFMA rated

BT1-DINCHR-CA  
BT1-DINCHR-GM  
BT1-DINCHR-IN  
BT1-DINCHR-BH  
BT1-DINCHR-ST  
BT1-DINCHR-CR  
BT1-DINCHR-WH  
BT1-DINCHR-DG

CAMEL LEATHER  
GUNMETAL  
INK LEATHER  
TAIT BLUSH  
TAIT STONE  
CREAM LEATHER  
DIGIT WHITE  
DIGIT GREY

\$399.00  
\$199.00  
\$399.00  
\$199.00  
\$199.00  
\$399.00  
\$199.00  
\$199.00

Are you a trade professional? Visit [bludot.com/trade-contract](https://www.bludot.com/trade-contract)