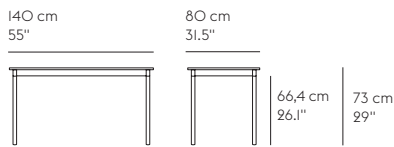




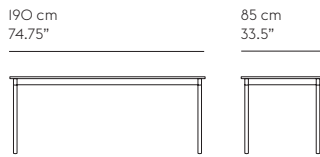
# BASE TABLE

**MIKA TOLVANEN ON THE DESIGN** "I wanted the table to have its own character but not be imposing. The design aim was to reduce the table to its archetypal form. The functional simplicity of Base is supported by behind-the-scenes technology to create a slim, lightweight and strong table. At the same time, Base is friendly and welcoming in the way it looks. The result is a versatile metal frame table that can be extended into a very large conference table or just as easily used as a simple dining room table."

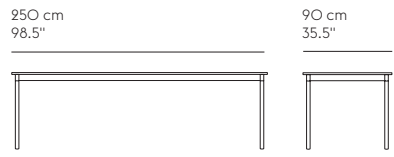


131 cm  
51.5"

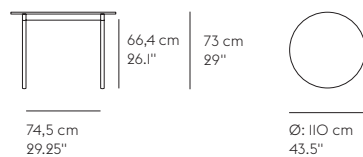
Edge to leg distance: 1 cm / 0.4"  
Height to apron 66,4cm / 26.1"



181 cm  
71.25"



241 cm  
95"



74.5 cm  
29.25"

Ø: 110 cm  
43.5"

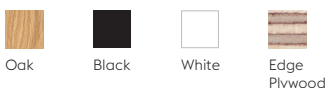
Edge to leg distance round version: 19,5cm / 7.7"

## BASE TABLE W. CASTORS (EXAMPLE)

190 x 85 cm / 75 x 33.5"



## COLORS



## DESIGNED BY / YEAR OF DESIGN

Mika Tolvanen / 2014

## ABOUT THE DESIGNER

Mika Tolvanen is part of the Finnish Rehti Design group. After graduating from the Royal College of Art with a Master in design in 2001, Mika established his own design office in Helsinki. He has since worked with some of the world's top designers and manufacturers.

## CATEGORY

Multi functional table

## ENVIRONMENT

Indoor

## COUNTRY OF PRODUCTION

Table top / Table frame in Denmark

## PREASSEMBLED

No

## DESCRIPTION

A high quality and versatile table series, that casts the iconic shape of a table, as straight forward as a child's drawing. The tables have a lightness in its design that adds an interesting contrast to the table's strength and robust materials.

Both the Visu Hanger and the Cable Management Solution can be installed to the Base Table for efficient office and work environments.

## PRODUCTION PROCESS

The table base's legs and corner parts are extruded from aluminium to give the acrylic lacquer used to color the base, the most homogeneous surface.

The table-top is cut from furniture board and finished off with either a laminate or a linoleum surface.

## MATERIAL

Frame and legs in extruded aluminium. Table top in plywood with either laminate, linoleum or oak veneer surface with water-based lacquer and plywood edge or chipboard with laminate surface and ABS edges.

## CLEANING AND CARE

Clean the table with a damp cloth. If necessary use a mild detergent or washing up liquid and not concentrated. Always wipe with a dry cloth afterwards. To minimize the risk of stains and marks, liquids, grease etc. should be removed straight away. For linoleum versions, linoleum care is recommended for optimum saturation of the natural material 2-3 times a year. It is recommended to clean linoleum versions with a damp cloth and a pH neutral cleaner and wipe dry to remove any residues.

## SPARE PARTS

Adjustable set screws as well as a cable management system is sold separately.



## BASE TABLE

### MADE-TO-ORDER

70 x 70 cm / 27.5" x 27.5", 80 x 80 cm / 31.5" x 31.5",  
 128 x 128 cm / 50.5" x 50.5", 140 x 70 cm / 55" x 27.5",  
 190 x 80 cm / 74.75" x 31.5", 250 x 110 cm / 98.5" x 43.25",  
 300 x 110 cm / 118" x 43.25", 440 x 110 cm / 173.25" x 43.25".  
 Round Ø 90 cm / 35.5", 128 cm / 50.5"

A selection of finishes and non-standard sizes are made-to-order.

Minimum - maximum length:  
 70 - 440 cm / 27.6 - 173.2"

Minimum - maximum width:  
 70 - 120 cm / 27.6 - 47.2"

Tables with two or four adjustable feet screws as well as pre-mounted castors are made-to-order for all table sizes.

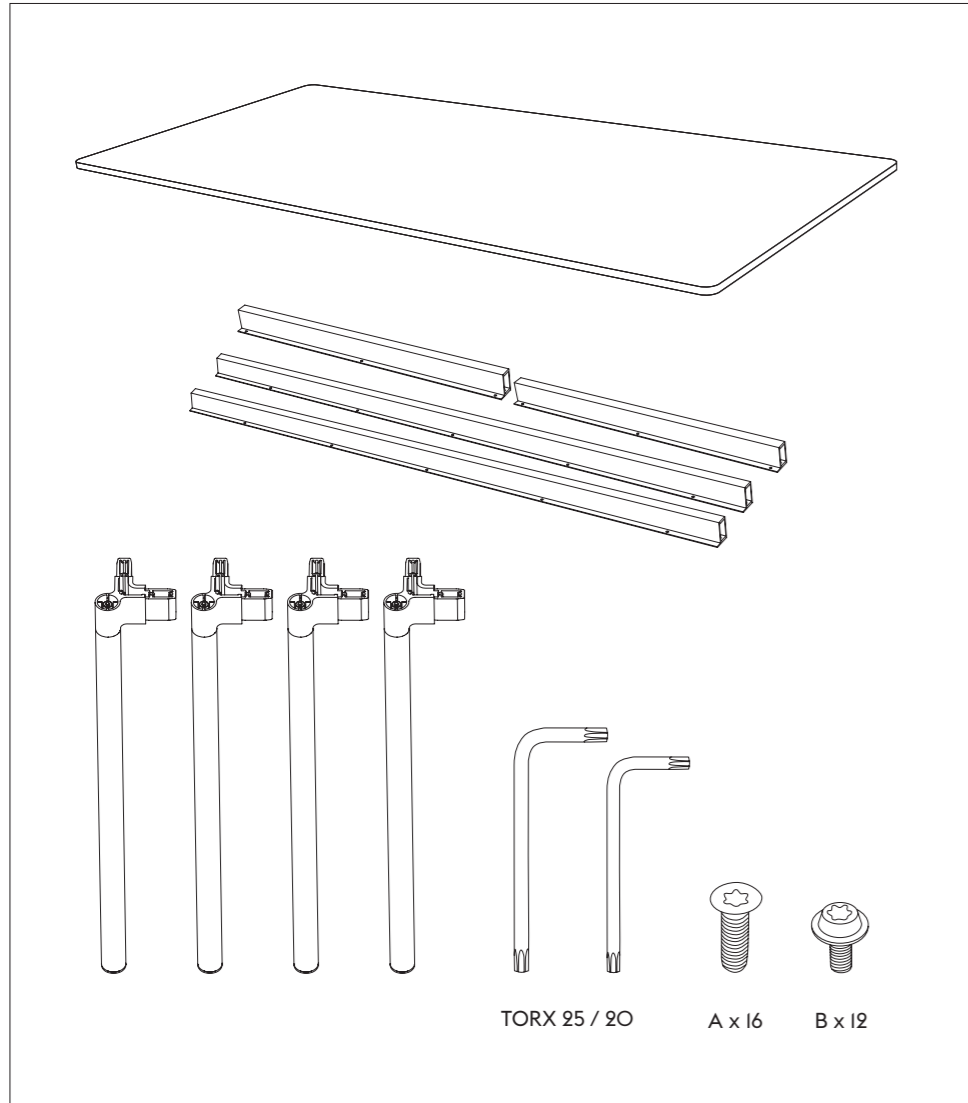
### CASTORS

The Base Table with castors allows for easy movement of the design to support the agile and evolving needs of the modern workplace. Available as made-to-order in matching color for Black and White bases. All four castors can be locked. The Base Table with pre-mounted castors has the same total height as the version without castors. The castors are recommended for hard (wooden) floors and hard carpets only.

### TESTS & CERTIFICATIONS

EN 15372:2008 - L3: Extreme use  
 Furniture - Strength, durability and safety - Requirements for non-domestic tables.

All sizes except except tables in L 300 cm and 440 cm:  
 ANSI/BIFMA X5.5-2014  
 American National Standard For Office Furnishings - Desk products.



- EN Day-to-day upkeep: Clean the table by wetting a cloth in hot water and a mild mixture of universal detergent or dishwashing detergent. Never use strong chemicals. Spilled water or grease can leave spots and should be removed instantly.
- DK Ved daglig vedligeholdelse, rengør bordet med en fugtig klud og en mild opløsning af universalrengøringsmiddel eller opvaskemiddel. Brug aldrig stærke kemikalier. Vand og fedt kan efterlade stride pletter og bør derfor fjernes med det samme.
- DE Tägliche Pflege: Reinigen Sie den Tisch mit einem feuchten Tuch mit heißem Wasser und einer milden Mischung aus Universalreinigungsmittel oder Spülmittel. Verwenden Sie niemals starke Chemikalien. Wasser und Fett können Flecken werden.
- FR Entretien quotidien: Nettoyez la table en mouillant un chiffon dans de l'eau chaude additionnée d'un doux mélange de détergent universel ou de liquide vaisselle. N'utilisez jamais de produits chimiques forts. L'eau et la graisse peuvent tacher et devraient être retiré tout de suite.
- ES El mantenimiento del día a día: Limpie la mesa mojando un paño en agua caliente con una suave combinación de detergente universal o de lavavajillas. Nunca use productos químicos agresivos. El agua y la grasa pueden dejar manchas y se deben retirarse de inmediato.

# BASE TABLE

— Mika Tolvanen

