

ARC

ASSEMBLY INSTRUCTION

W0UD

WE WANTED TO CREATE A BEAUTIFUL PLACE TO HIDE YOUR MESS. ARC IS A SIMPLE TABLE WITH A HIDDEN STORAGE SPACE. BY SIMPLY ROTATING HALF OF THE CIRCULAR LID, THE EXPRESSION IS EVER CHANGEABLE. THE THREE-LEGGED CONSTRUCTION ADDS A PLAYFUL AND LIGHT TOUCH TO THE GEOMETRIC SHAPED DESIGN. BASED ON THE SIMPLE GEOMETRICS, THE TABLE CAN BE USED IN VARIOUS WAYS.

Handwritten signatures of Julie Begtrup and Ditte Vad in a cursive script.

JULIE BEGRUP AND DITTE VAD

STEP 1 AND 2 ONLY APPLIES TO:

ARC COFFEE TABLE Ø66

ARC COFFEE TABLE Ø89

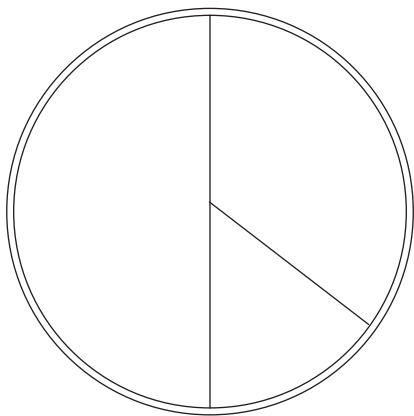
TAKE CARE

**WE HAVE NOW HANDED OVER
ONE OF OUR DARLINGS TO YOU.
NOW IT IS YOURS. TAKE GOOD
CARE OF IT. YOU CAN READ THE
CARE INSTRUCTIONS FOR ALL
OUR MATERIALS AT OUR WEBSITE.**

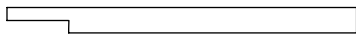
WLOUD.DK/TAKECARE

ASSEMBLY INSTRUCTION

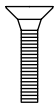
**PLEASE GO THROUGH THE FOLLOWING
STEPS CAREFULLY. RETAIN THIS MANUAL
FOR FUTURE REFERENCE TO ENSURE THAT
YOUR NEW ITEM IS CORRECTLY ASSEMBLED
IN CASE IT SHOULD BE DISASSEMBLED OR
MOVED. WE ARE NOT RESPONSIBLE FOR
ANY FAULTS OR DAMAGES CAUSED BY
NOT FOLLOWING THESE INSTRUCTIONS
CORRECTLY.**



A x 1



B x 3



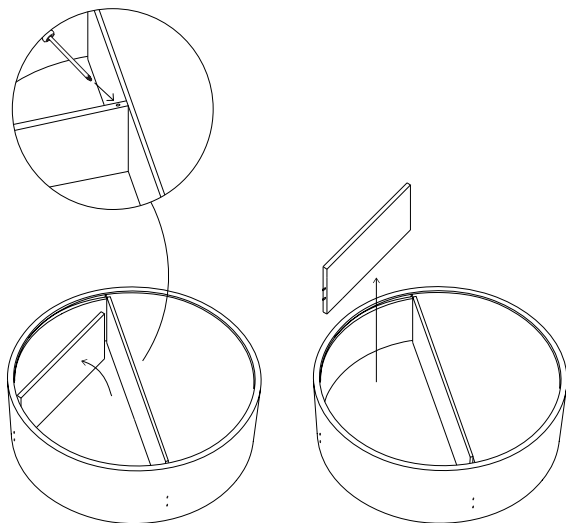
C x 6

TOOLS NEEDED



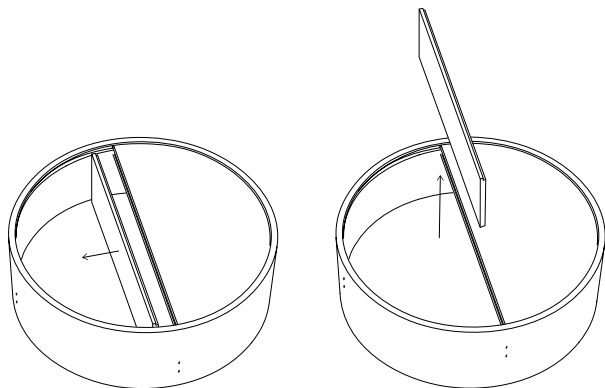
STEP 1

SCREW OUT SCREW, ROTATE AND REMOVE THE SMALL PIECE OF WOOD.
THE WOOD ARE A PART OF THE PACKAGING AND SHOULD BE TROWN OUT.



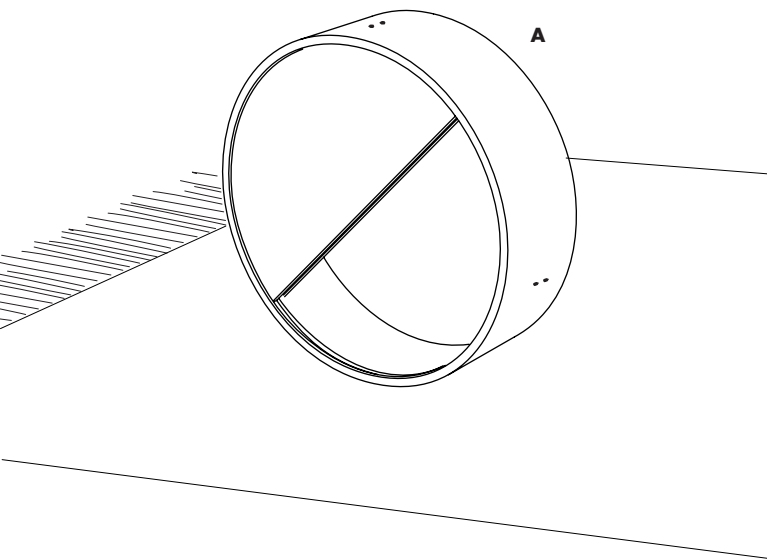
STEP 2

REMOVE THE LARGE PIECE OF WOOD.
THE WOOD ARE A PART OF THE PACKAGING AND SHOULD BE TROWN OUT.



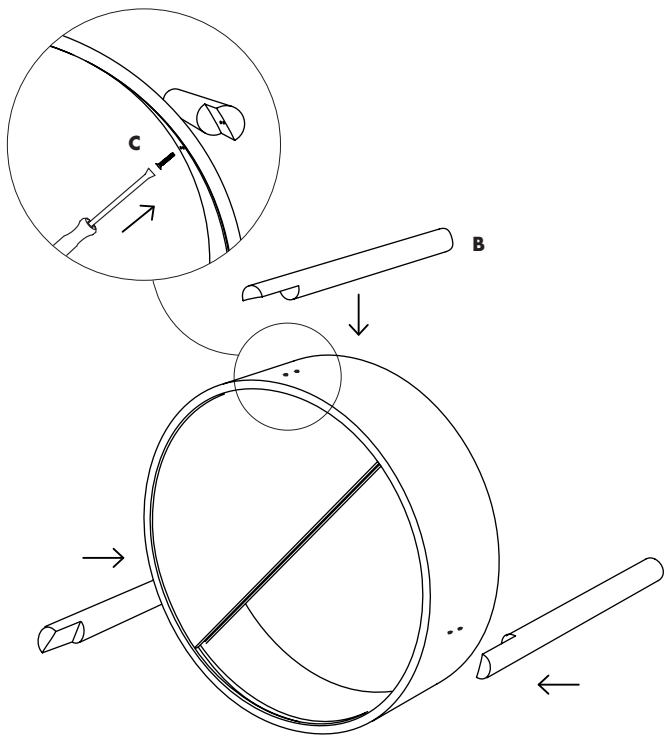
STEP 3

WE RECOMMEND THAT YOU PLACE THE TABLE TOP ON A CARPET



STEP 4

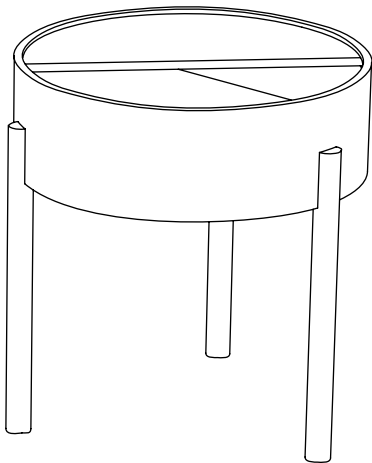
MOUNT THE SCREWS INSIDE OF THE TABLE TOP STORAGE SPACE AND APPLY THE LEGS ON THE OUTSIDE. IF NEEDED, ATTACH FELT GLIDES UNDER EACH LEG.



STEP 5

NOW YOUR ARC TABLE IS READY TO PUT INTO USE. JUST ROTATE THE UPPER LID TO OPEN OR CLOSE THE STORAGE SPACE.

(WE RECOMMEND TO RETIGHTEN THE SCREWS AFTER THREE MONTHS OR AS NEEDED OVER TIME)



DESIGNED BY
JULIE BEGRUP AND DITTE VAD

PAINTED SURFACES

CARE INSTRUCTIONS

DAILY CARE

WIPE WITH A CLEAN CLOTH WRUNG IN WATER OR IN A SOLUTION OF WATER AND A NEUTRAL DETERGENT. REMOVE SOAP RESIDUE IMMEDIATELY USING A CLEAN, DRY CLOTH. AVOID USING SCOURING CREAM OR SCOURING PADS, AS THEY MAY SCRATCH THE SURFACE.

MAINTENANCE

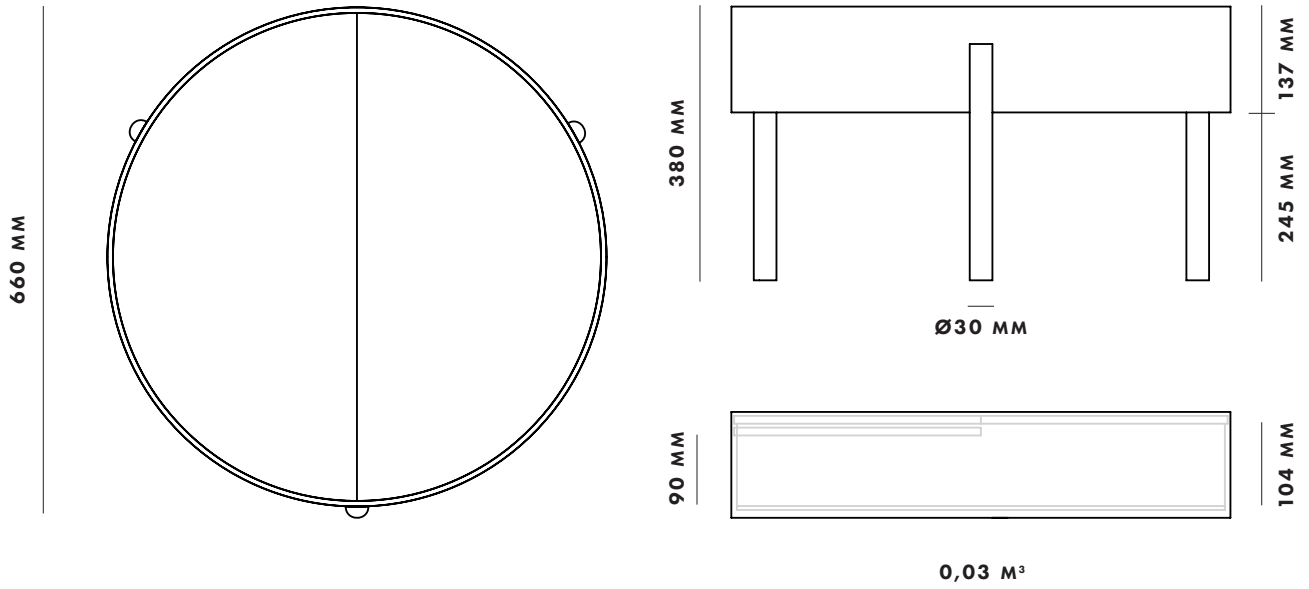
NO MAINTENANCE IS NEEDED AS SUCH, ONLY GOOD THOROUGH CLEANING. IF DAMAGE TO THE SURFACE OCCURS, IT MIGHT BE NECESSARY TO RE-PAINT THE SURFACE. WE RECOMMEND USING A PROFESSIONAL FOR THIS.

ARC

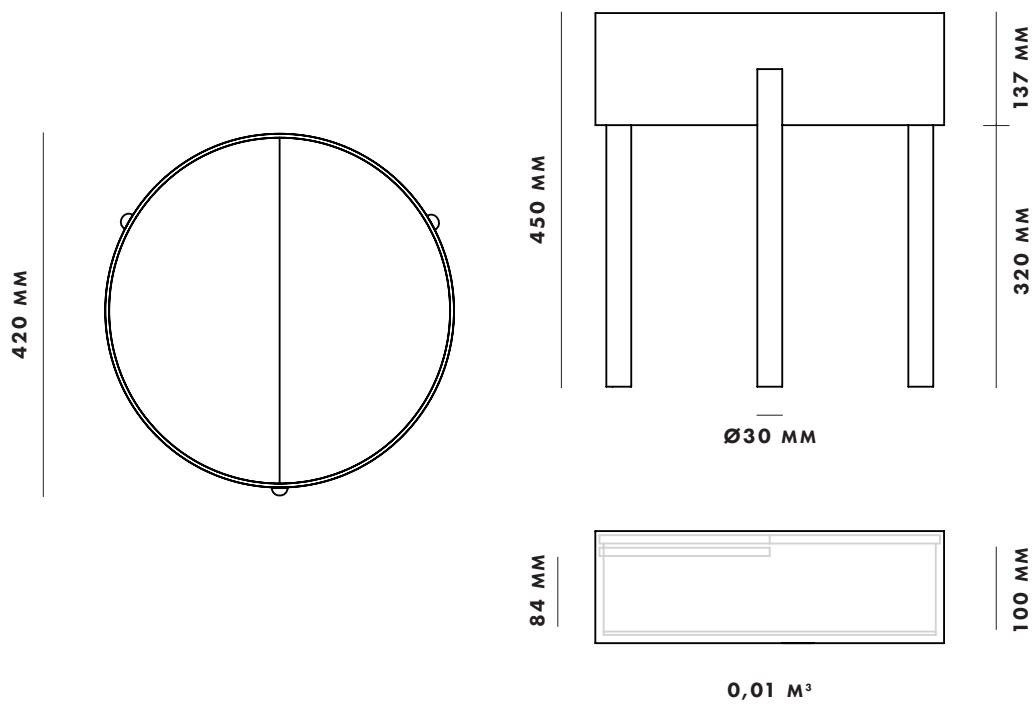
DIMENSIONS

WOUD

COFFEE TABLE

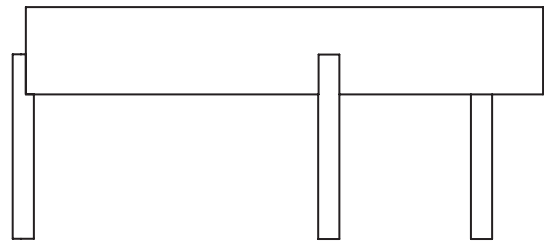
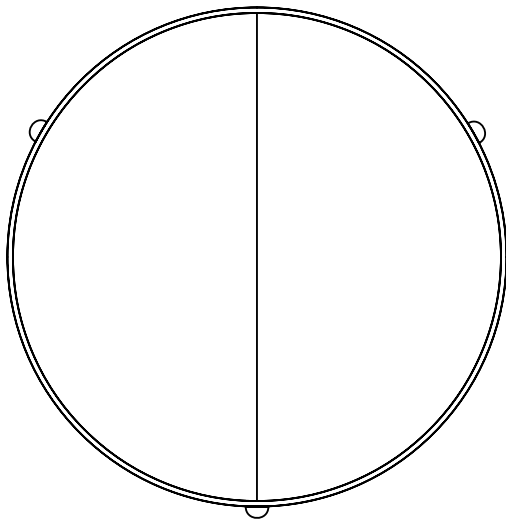


SIDE TABLE

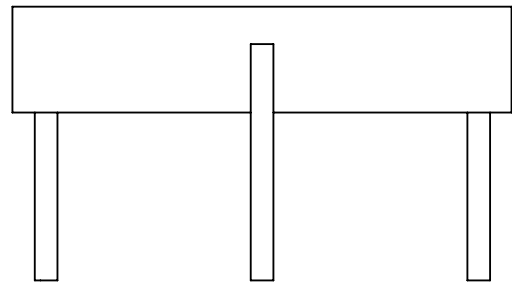


COFFEE TABLE Ø89

890 MM



380 MM



245 MM

137 MM

Ø30 MM

96 MM



135 MM

0,08 M³