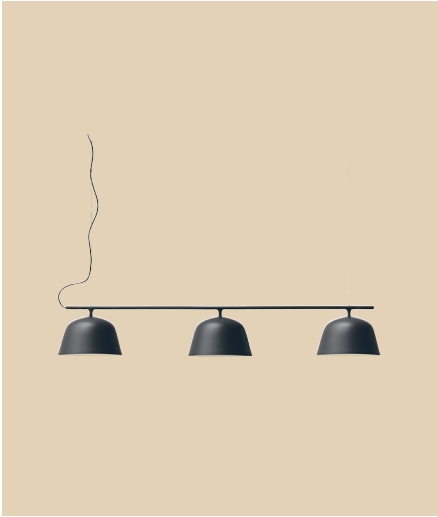
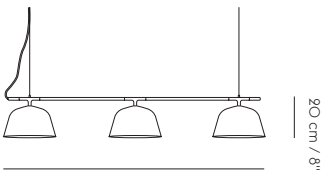


AMBIT RAIL LAMP – US VERSION



TAF STUDIO ON THE DESIGN “Why do you get attracted to certain shapes and not others? With Ambit, we worked with the form and proportions in a very thorough and almost meticulous way. There is dynamic between the linear and rounded shape that creates an attractive outline. A timeless pendant, which never becomes boring to look at. The lampshade is made of a lightweight spun material and the dual-tone, with the inner white, adds a delicate contrast.”



126 cm / 49.5"

Ø25 cm
/ 9.75"

CEILING CAP



Ø 11 cm / 4.25"



Black



White



Grey



Taupe

DESIGNED BY / YEAR OF DESIGN

TAF Studio / 2017

ABOUT THE DESIGNER

TAF Studio is a Stockholm-based design and architecture studio, founded by Gabriella Gustafson and Mattias Ståhlbom. The duo works within product and interior design.

CATEGORY

Rail lamp

ENVIRONMENT

Indoor

DESCRIPTION

A statement lamp with lots of character. With its three lamp shades, the rail lamp gives away a strong light that makes it perfect for use as a primary light source over a kitchen counter, dining table, or even in a bar setting.

PRODUCTION PROCESS

Made from old brazier traditions, the lampshades are press spun by hand. Hereafter, the lampshades are polished and painted by hand. The rail is cut from tubes that are adjusted to fit each other on a lathe machine.

MATERIAL

Rail made from cast and extruded aluminum. Shades in spun aluminum with a rubber cord and steel wires.

CORD LENGTH

Cord : 400 cm / 157.5"
Wires: 350 cm / 138"

BULB INCLUDED

No

CEILING CAP INCLUDED

Yes - White

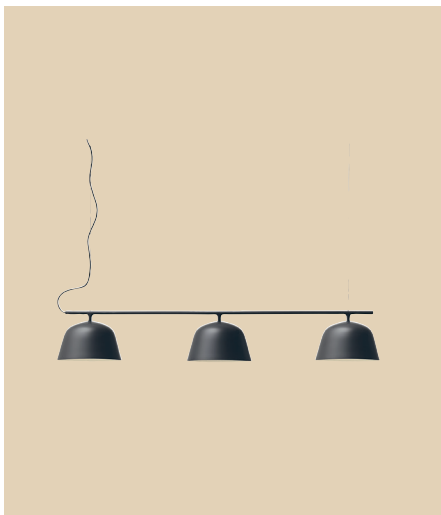
DIMABLE FUNCTION

Yes

CLEANING AND CARE

Clean the lamp with a soft dry cloth. Always switch off the electricity before cleaning.

AMBIT RAIL LAMP – US VERSION



GENERAL STANDARDS & CERTIFICATES

Conforms to UL STD. I598
 Certified to CSA STD. C22.2 NO.250.0

IP20

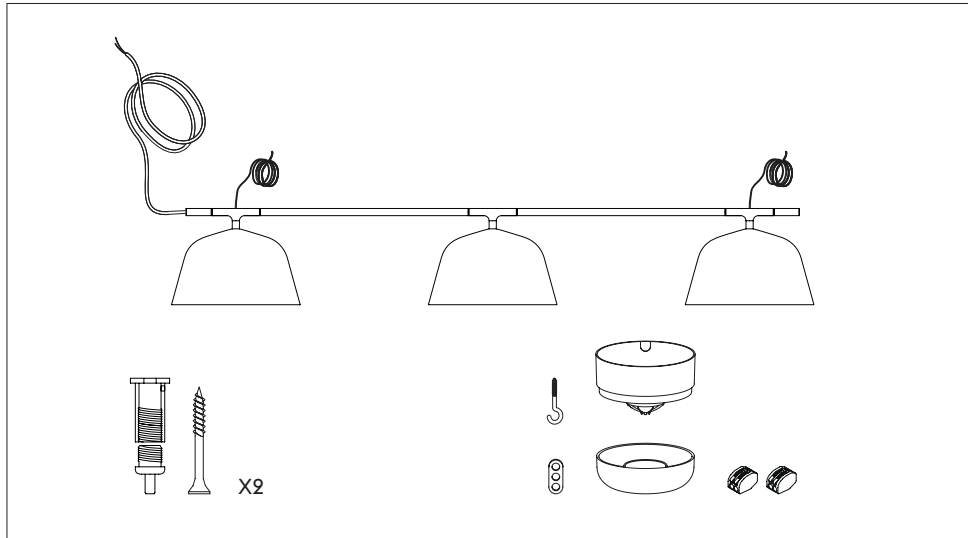


LAMP RATING

Voltage	120V
Frequency	60Hz
IP Rating	IP20
Socket	3 x E12
	Max. 60W; incandescent lamp; Type G
	Max. 13W; self-ballasted; CFL
	Max. 11W; self-ballasted LED bulb

BULB RECOMMENDATION

Lamp base	E12
Dimensions	Ø45 X 85mm
Light source shape	A shape / G shape
Max wattage	See rating
Light source type	Halogen / LED

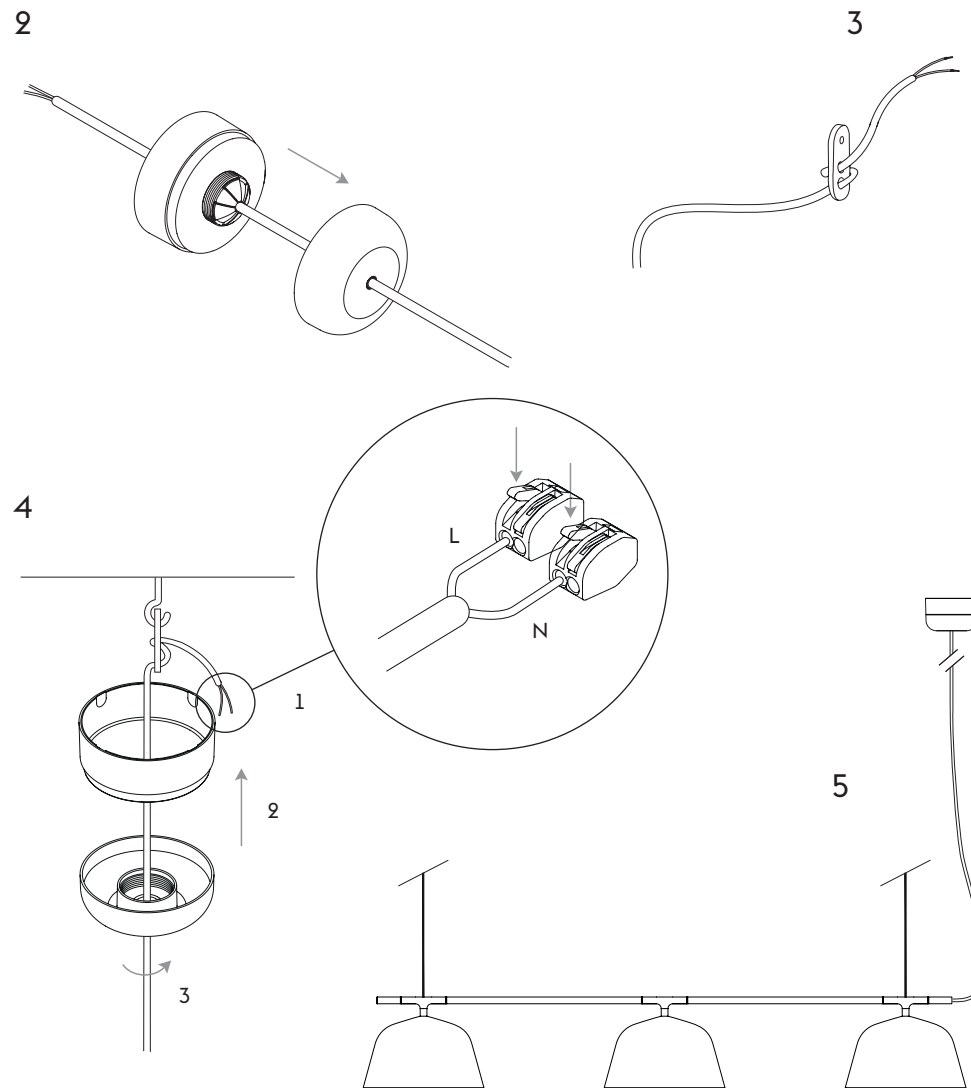
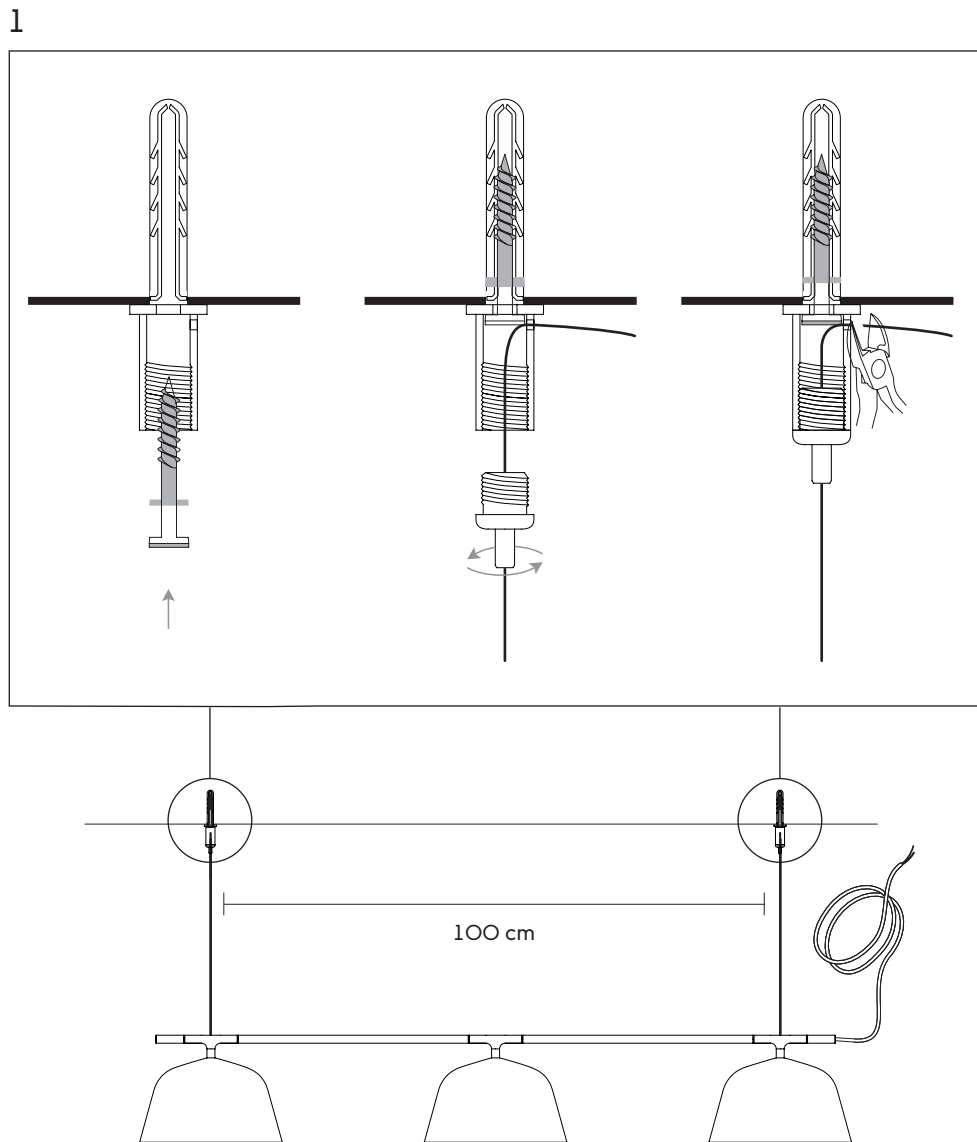


ATTENTION – BEMÆRK – ACHTUNG – ATTENTION – ATENCIÓN

- EN If the external flexible cable or cord of this lamp is damaged, it shall be exclusively replaced by the manufacturer, the service agent or a similar qualified person in order to avoid a hazard.
- DK I tilfælde af en skade på lampens ledning bør denne skiftes af producenten eller en professionel elektriker for at mindske risici.
- DE Wenn das externe flexible Kabel dieser Leuchte beschädigt wird, wenden Sie sich ausschließlich an den Hersteller, seinen Kundendienst oder eine ähnlich qualifizierte Person, um eine Gefährdung zu vermeiden.
- FR Si le câble de ce luminaire est endommagé, il doit être remplacé exclusivement par le fabricant ou par une personne qualifiée afin d'éviter tout incident.
- ES Si el cable exterior flexible o el cordón de esta luminaria está dañado, debe ser sustituido exclusivamente por el fabricante o en su defecto su servicio técnico o un profesional cualificado similar para evitar posibles riesgos.

AMBIT RAIL PENDANT LAMP

— TAF Studio



CLEANING – RENGØRING – SÄUBERN – NETTOYAGE – LIMPIEZA

AMBIT RAIL LAMP
3 X E14 - MAX 60W
CFL MAX 13W, LED MAX 11W
220-240V - 50/60HZ



- EN Turn off electricity, clean with dry cloth.
DK Afbryd elektricitet, rengør med tør klud.
DE Strom abschalten, mit einem trockenen tuch reinigen.
FR Eteindre l'électricité, nettoyer avec un chiffon humide.
ES Apague la electricidad, limpie con un paño seco.