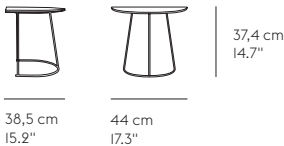
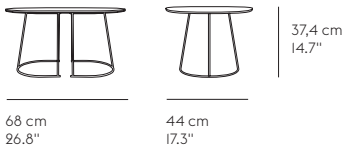
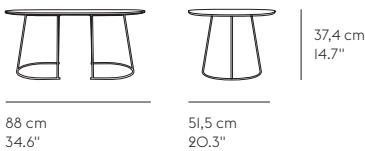
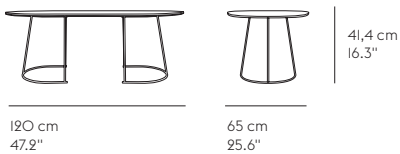


AIRY COFFEE TABLE

CECILIE MANZ ON THE DESIGN "The idea behind Airy was to create a side table that did not scream but still was not afraid to speak. The result is a table series that masters the fine balance between being light and airy, and at the same time having plenty of personality and individuality. Due to this combination Airy gets a multi-functionality that makes the side tables suitable for every kind of interior."



DESIGNED BY / YEAR OF DESIGN

Cecilie Manz / 2014

ABOUT THE DESIGNER

Cecilie Manz graduated from the design school Danmarks Designskole in Copenhagen in 1997 with additional studies at the University of Art and Design in Helsinki; Cecilie Manz founded her own design studio in Copenhagen in 1998. Here, Cecilie Manz has established herself as one of Denmark's most prominent designers. Her work within furniture, glass, lighting and ceramics has achieved international success and is sold and exhibited all over the world.

CATEGORY

Coffee table

ENVIRONMENT

Indoor

COUNTRY OF PRODUCTION

Table top in Denmark / Table frame in Sweden

PREASSEMBLED

No

DESCRIPTION

Coffee table in different finishes and sizes. The tables look great when mixing multiple tables together. The tables have a light and unique character that is emphasized in the precise soldering of the table's frame.

PRODUCTION PROCESS

The metal frame is soldered very accurately to create the light and skinny silhouette of the frame. The table top is cut and plywood is finally polished.

MATERIAL

Table top is made from plywood with a nano-laminate finish. Frame is made from 8 mm. powder coated solid steel.

CLEANING AND CARE

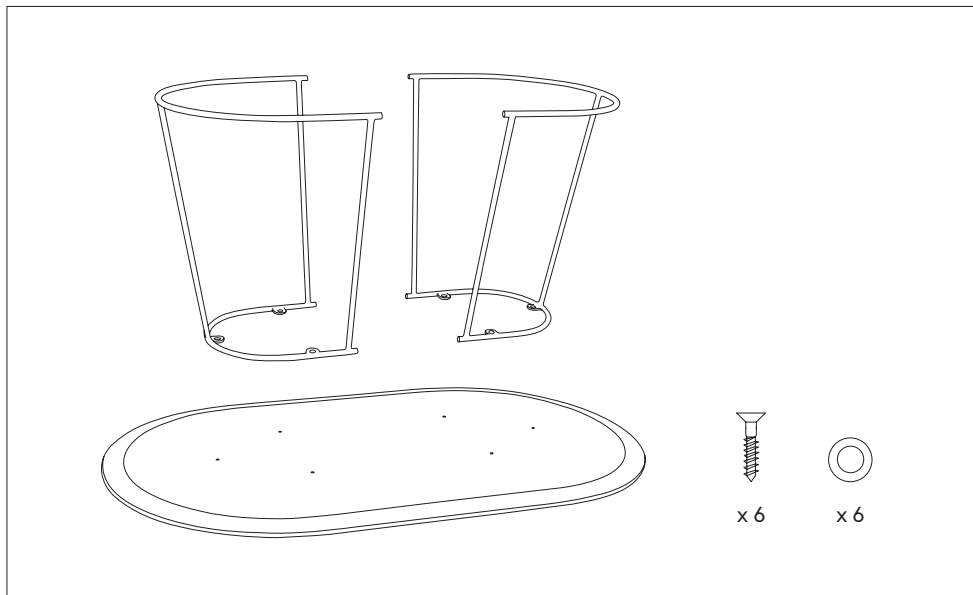
Clean the table with a damp cloth. If necessary only use a mild detergent or washing up liquid and not concentrated. Always wipe with a dry cloth afterwards. To minimize the risk of stains and marks, liquid, grease etc. should be removed straight away. Treat the surface with a melamine sponge, available in hardware stores, to reduce minor scratches.

CLEANING — RENGØRING — SÄUBERN — NETTOYAGE — LIMPIEZA

- EN Clean with dry or moist cloth.
- DK Rengør med tør eller fugtig klud.
- DE Mit trocknenen oder feuchtem tuch reinigen.
- FR Nettoyer avec un chiffon sec ou humide.
- ES Limpie con un paño seco o húmedo.

AIRY COFFEE TABLE

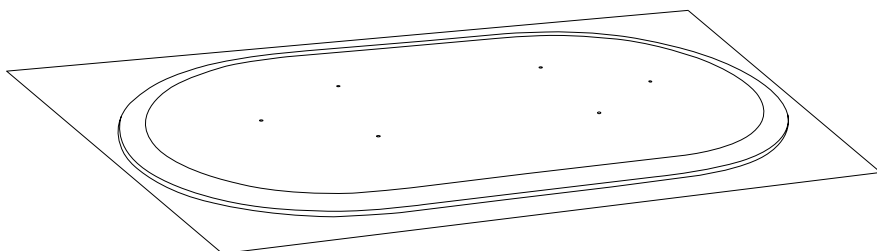
— Cecilie Manz



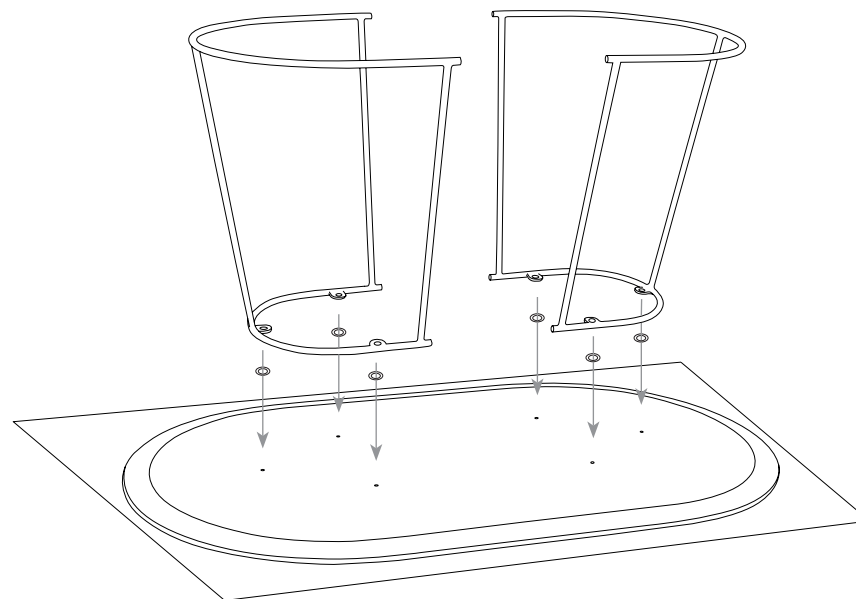
ASSEMBLY INSTRUCTION – SAMLEMANUAL – MONTAGEANLEITUNG
INSTRUCTIONS DE MONTAGE – INSTRUCCIONES DE MONTAJA

1

- EN Place the table top on a soft surface.
- DK Placer bordpladen på et blødt underlag.
- DE Tischplatte auf einen weichen untergrund legen.
- FR Placer le plateau sur une surface lisse.
- ES Coloque la encimera en una superficie suave.



2



3

