

Web Chair

Design: Hans J. Wegner, 1968

pp129



Flexible and transparent

Wegner's primary material was always solid wood. Nevertheless, having designed the **pp550 Peacock Chair** in 1947, it was not until 1968 that Wegner created an expressive easy chair with solid wood as the dominant material, namely the **Web Chair**.

Its playful and ample armrests immediately bring to mind Wegner's sense of joy at shaping solid wood. At the same time the chair manifests the distinct idea of transparency in a nonetheless sturdily constructed, comfortable easy chair.

The history of the **Web Chair** reveals Wegner's insistence on artistic integrity. Despite the expressive use of solid wood, Wegner introduced the **Web Chair** by showcasing six chairs all painted bright red!



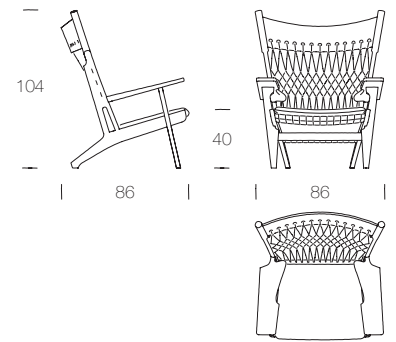
Web Chair

Design: Hans J. Wegner, 1968

The flag halyard is available in nature or black. Flag line is made from jute and has a high tensile nylon core for optimal strength covered by a protective sleeve of woven jute. In order to optimise rigidity the flag line is stretched before it is applied to the chair. The clips connecting the flag halyard come in stainless steel, brass or black.

Seat and neck cushions come in fabric or leather. The cover for the neck cushion comes in a range of fabrics specifically suited for carrying the cushion.

pp129



pp møbler

Vestvej 45
3450 Allerød
Denmark

info@pp.dk
www.pp.dk

