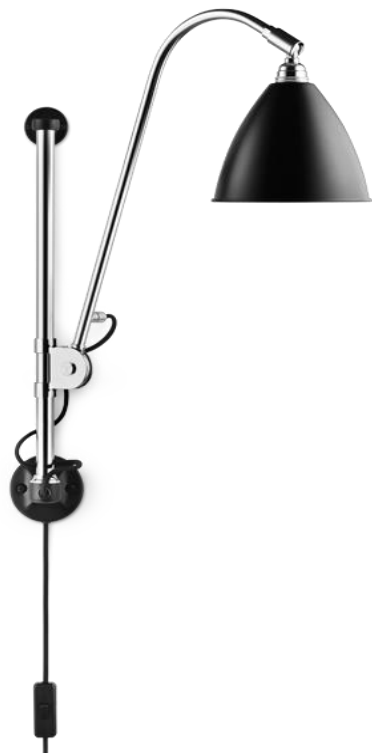


Designed by Robert Dudley Best

PRODUCT



COLOURS



// Black / Chrome



// Off-White / Chrome



// White / Chrome

DESCRIPTION

Bestlite has been in continuous production since 1930. Robert Dudley Best created Bestlite design. He was highly influenced by the Bauhaus. In the past 80 years, people Appreciated the lamps and it decorates many homes, hotels and restaurants worldwide. Loved by architects, designers and design aficionados throughout its 80-year history, today, Bestlite enjoys global iconic status.

VERSION - BESTLITE WALL LAMP BL5

Shade and base: Black, White or Off-White
 Tube and arm: Chrome

Colour codes are indicative.

- Fabric wire, switch and plug - Black:
- Black / White inside // RAL 9005 / RAL 9003 // Gloss level 15 / Gloss level 20
- Fabric wire, switch and plug - Off-White
- Off-White / White inside // RAL 1015 / RAL 9003 // Gloss level 20 / Gloss level 20
- Fabric wire, switch and plug - White:
- White / White inside // RAL 9003 / RAL 9003 // Gloss level 15 / Gloss level 20

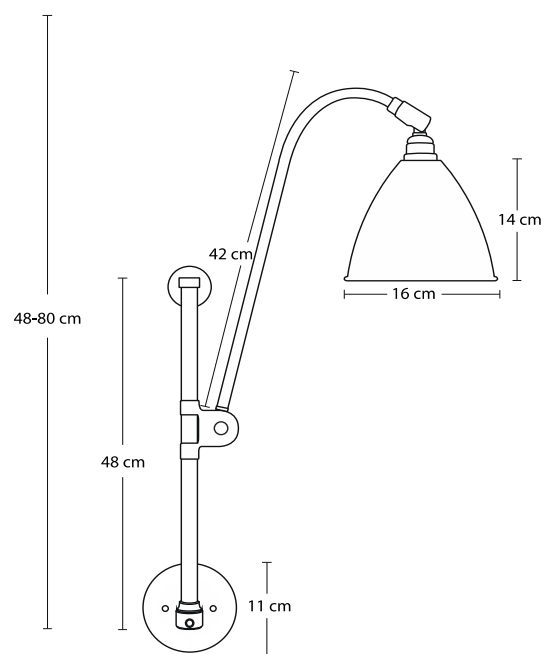
Please contact us for other colours or finishes.

VERSION

Order item - look for part number in the pricelist.

Series contains the following:

BL5, BL6, BL7, BL10



FACTS

MEASUREMENT - L X W X H inches

- Lamp height: 18.5-31.5 inches
- Tube length: 18.9 inches
- Shade height: 5.5 inches
- Shade diameter: 6.3 inches
- Cord - distance to switch: App. 8 inches
- Cord - exposed out of lamp: App. 78.7 inches

WEIGHT ITEM - LAMP INCL. WIRE

2.9 lbs

PACKAGING TYPE

Cardboard box

PACKAGING MEASUREMENT - L X W X H inches

L: 8.7 x W: 24 x H: 10.2 inches

WEIGHT PACKAGING - MATERIAL TYPE

- Paper Egg crate: 1.7 lbs
- Bestlite key: 0.6 oz
- PE polybag: 0.04 oz
- Screws: 0.18 oz
- PE polybag: 2.1 oz
- Cardboard outside: 1.7 lbs
- Cardboard top: 3 oz

WEIGHT PACKAGING - TOTAL

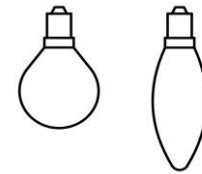
6.8 lbs

NUMBER OF PARCELS

1 pcs.

LIGHT SOURCE:

- Socket: E12 base
- Bulb types recommended:



- Recommended light sources:

Halogen light bulb
 - Recommended wattage: 30 W
 - Max wattage: 30 W

All fluorescens light bulbs
 - Recommended wattage: 9 W
 - Max wattage: 13 W

- Max. light out put for above lamps:
 450 Lumens ≈ (40 WATT incandescent bulbs)

Designed by Robert Dudley Best

CLEANING AND MAINTENANCE

Use a soft damp cloth when cleaning your Bestlite lamp. Do not use household cleaners.

ACCESSORIES

-

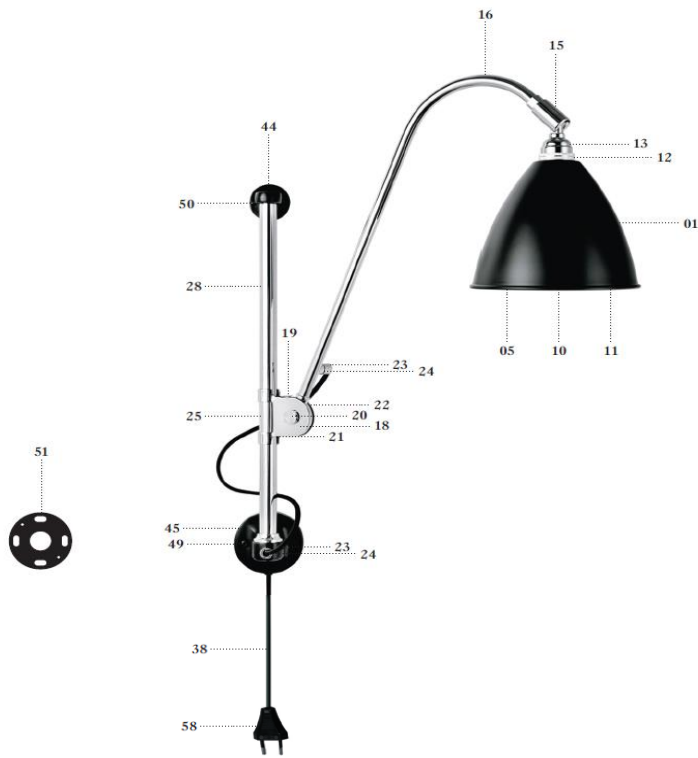
ENVIRONMENT

-

TESTS

-

CERTIFICATION AND LABELS



- All lamps can be fitted with a dimmer - Please contact your local electrician.
- Lightbulb not included

ON DEMAND - (ordered at an additional charge)

ORDERING - BL5

Cord, switch on the wallbracket. US plug

- US plug: Type A, 2 PIN, 15 amp, (NEMA 1-15)
- US voltage: 120 V
- Frequency: 60 Hz
- Supply voltage: AC power ~
- Normally Closed: IP20



Class II / Double insulated



Luminaires accepted for mounting on a flammable base

KOMPONENTS

- 01 // Shade Ø16
- 05 // E12 Lamp holder
- 10 // Insulating ring
- 11 // Internal shade ring
- 12 // External shade ring
- 13 // Lamp holder cover
- 15 // Universal joint
- 16 // Bestlite arm
- 18 // Bestlite "clip"
- 19 // Bestlite nut
- 20 // Bestlite bolt
- 21 // Tension spring
- 22 // Fibre washer
- 23 // Cord grip
- 24 // Cord grip cover
- 25 // Acetate
- 44 // Top bracket
- 45 // Wall bracket
- 49 // Screw 9x19 mm.
- 50 // Screw 6x36 mm.
- 51 // Mounting back plate Ø11 cm

XX // Switch on lampholder

MATERIAL

Shade and base: Powder coated aluminium
 Tube and arm: Chromed steel
 Textile covered cord

INSTALLATION INSTRUCTIONS

The Bestlite key:

It's a practical tool that enables you to fasten the lamp arm. Simply use it like a screwdriver in the slot in the Bestlite nut.
 Instructions document: No. 10-20-004.

Connect the lamp wires to the supply wires (E).
 Be sure to connect all grounding wires (green) to the same wire nut. Wire nuts or similar connections are not in the scope with the lamp.
 Tuck wires carefully inside the base of the lamp and place the lamp on the wall bracket.
 Fasten screw and lock the lamp to the wall. Be careful not to obscure any wires between the edge of the lamp and the wall as well as inside the lamp base.
 Place light bulb in lamp and turn (E) the power on.

Technical information:
 Light source: CAUTION: TO REDUCE THE RISK OF FIRE, USE MAX. 40 WATT INCANDESCENT, E12, type A bulb; 120V 60Hz AC ONLY. Alternatively max. 30W halogen bulb.
 Turn power off when changing light bulb.
 The lamp is not approved for outdoor use or use in damp/wet rooms.

Some advice on cleaning your Bestlite:
Powder coated parts - base/bracket and shade:
 Wipe the parts with a damp cloth soaked in warm water and a bit of mild detergent.
Chrome plated parts:
 Wipe the lamp arm or shade with a soft cloth and wipe dry to bring up lustre.
 If the surface is sticky use a metal polish made especially for chromium or other soft metals.
 Use only soft cloth for wiping and polishing, never sponges or steel wool.
 Do not use abrasive household cleaners.
 Do not use acidic or alkaline cleaning materials, glass cleaner or household ammonia.

BESTLITE • GUBI, Klubiensvej 7-9, DK-2150, Nordhavn, Denmark • www.gubi.com

Dear Bestlite customer,
 Congratulations on your Bestlite!
 You have chosen a genuine design classic, which has been in continuous production for more than 75 years.
 On the other side of this leaflet you will find some useful instructions for the use of your Bestlite.
 Should you have any questions, please feel free to e-mail us at gubi@gubi.com or visit us at www.gubi.com.

Best regards,
 Bestlite

001-0530x

BESTLITE
 — BY GUBI —

1: Shade
2: Gasket
3: Internal ring
4: Light bulb

The arm slides on the pole (the BL 1, BL 3 and BL 5)

The shade fits (all models except pendant)

The arm bends and swivels (The BL 1, BL 3, BL 5 and BL 6 - the BL 2 table model just bends.)

The Bestlite clip
 The BL 1, BL 2, BL 3, BL 4, BL 5, BL 6, and BL 10

A practical tool that enables you to fasten the lamp arm - simply use like a screwdriver in the slot in the Bestlite nut.

Wall mounting:
 Choose and pencil mark the spot carefully.
 The drilling and use of plugs in the wall is recommended.
 Mount the plate (E) - make sure you use appropriate corner and plug for your wall as the plate carries the weight of the lamp.
 When mounting the BL 5, mount the lamp with the upper cap (E) attached to top of the pole (see right) - and also mount the upper cap, when the lamp is secured in its straight position.
 When the plate is fastened to the wall - attach the lamp (E) for screwing the cap, and lamp firmly onto the plate.
 BL 5, BL 6, BL 7 and BL 10 cap

1:1 template for pre-drilling:
 Cut out or make a photocopy and use directly on your wall for accurate placing of the holes.
 Make sure the horizontal line is in level - pencil marks help!

The wall mounting plate
 Two holes, above and below centreline, mount the plate to the wall through these - use appropriate screws and plugs.
 Two threaded holes, mount the cap through these. Use the enclosed Bestlite screws in these holes (see below).
 Position of these two holes should always be horizontal.
 Mounting the plate as shown is important since the lamp is only straight if the plate is straight.

10-20-004-01 Mounting mtr BL 5 US