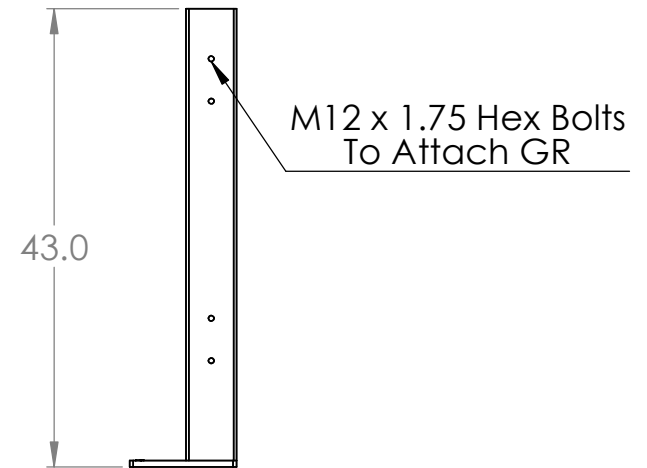
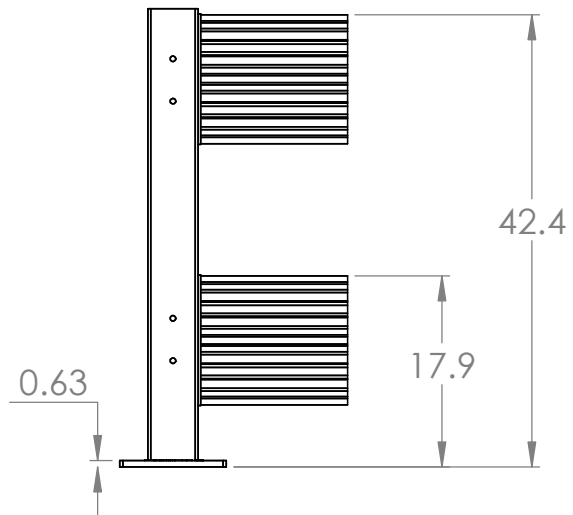
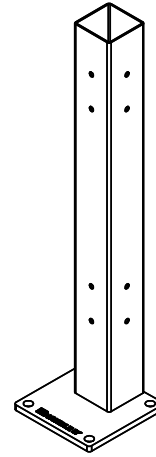
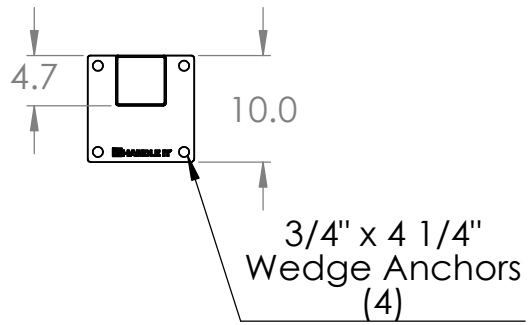


RR-CSO-2 - Double Rail Offset Column



TITLE:

Double Rail
Offset Column

SIZE

A

DWG. NO.

CSO-2

REV

A

SCALE: NTS

WEIGHT: 51 LBS

SHEET 1 OF 1

quotes@rhinorails.com | specs.rhinorails.com | 866-874-3385

