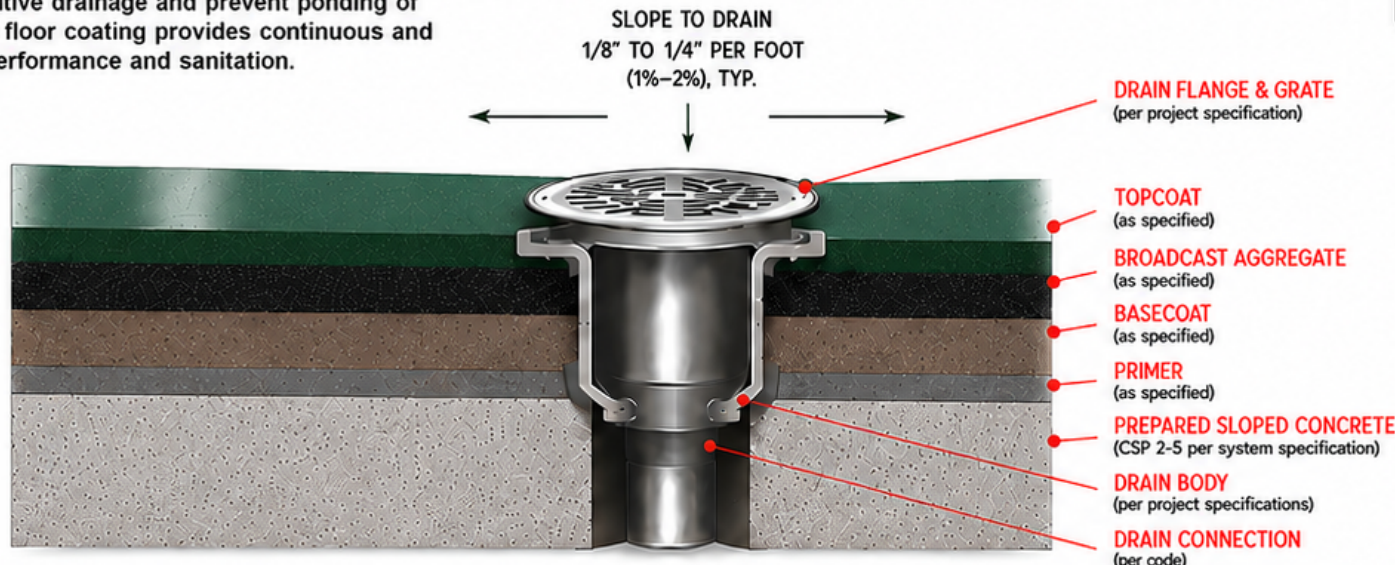


SLOPE-TO-DRAIN DETAIL

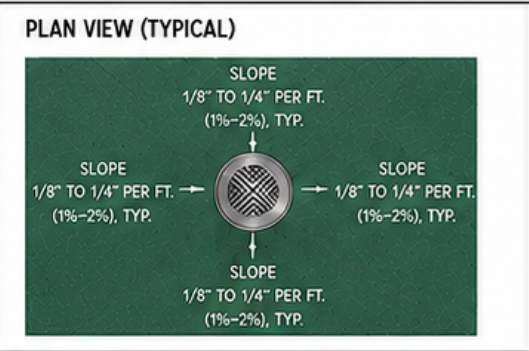
COATED SYSTEMS FOR ARCHITECTURAL & INDUSTRIAL APPLICATIONS

- APPLICABLE STANDARDS & REFERENCES**
- ICRI 310.2R – Guide for Concrete Floor and Slab Construction
 - ACI 318R19 – Guide to Design of Slabs-on-Ground
 - ICRI 310.2R – Guide for Concrete Surface Profile (CSP)
 - Manufacturer's written installation instructions

This detail illustrates a typical slope-to-drain condition for resinous floor coating systems. The substrate is sloped to the drain to promote positive drainage and prevent ponding of liquids. The resinous floor coating provides continuous and seamless finish for performance and sanitation.



- DRAIN NOTES**
- Drain grate shall be secured to drain body with clamping ring.
 - Slope floor uniformly to drain at 1/8" to 1/4" per foot (1%–2%), depending on the environment and drainage requirements.
 - Resinous flooring system shall follow substrate profile and terminate flush with drain flange.
 - Eliminate low spots and standing water conditions.



- SLOPE REQUIREMENTS**
- Concrete substrate shall be sloped typically 1/8" to 1/4" per foot (1%–2%), depending on the environment and drainage requirements.
 - Resinous flooring system shall follow substrate profile and terminate flush with drain flange.
 - Eliminate low spots and standing water conditions.

- SUBSTRATE REQUIREMENTS**
- Concrete shall be clean, sound, and free of laitance, oil, grease, curing compounds, and contaminants.
 - Minimum compressive strength: 3000 psi
 - Surface profile CSP 2-5 per ICRI guidelines and system specification
 - Moisture vapor emissions shall be in accordance with specified system tolerance per ASTM F1869 and ASTM F2170.
 - Surface must be clean, dry and contaminant-free.

CLASSIFICATION

SLOPE-TO-DRAIN DETAIL

This detail is for non-moving substrates only

IMPORTANT

Honor all expansion joints through the system.

- NOTES**
- All resinous surfaces shall be clean, sound, and dry prior to installation.
 - Substrate preparation shall be in accordance with manufacturer's written instructions.
 - Protect finished system from chemical exposure, traffic, and abrasion as recommended until fully cured per manufacturer.
 - For additional system information, refer to the project specifications.

SYSTEM COMPONENTS

COMPONENT	MATERIAL	DESCRIPTION / REQUIREMENT
Topcoat	per specification	Wear surface, color, texture and gloss as specified
Broadcast Aggregate (If Specified)	per specification	Broadcast to refusal (or as specified)
Basecoat	per specification	Build coat to achieve required profile
Primer	per specification	As required for substrate and system
Prepared Concrete Substrate	Concrete	Sloped 1/8" to 1/4" per foot (1%–2%), typ.
Drain Assembly	Stainless Steel	Drain body with grate and clamping ring
Drain Connection	By Plumbing Contractor	Connect to plumbing system per code

	SLOPE-TO-DRAIN DETAIL COATED SYSTEMS NOT TO SCALE	ISSUE DATE	REVISION	DESCRIPTION
		01/2026	0	FOR ARCHITECTURAL / SPECIFICATION USE