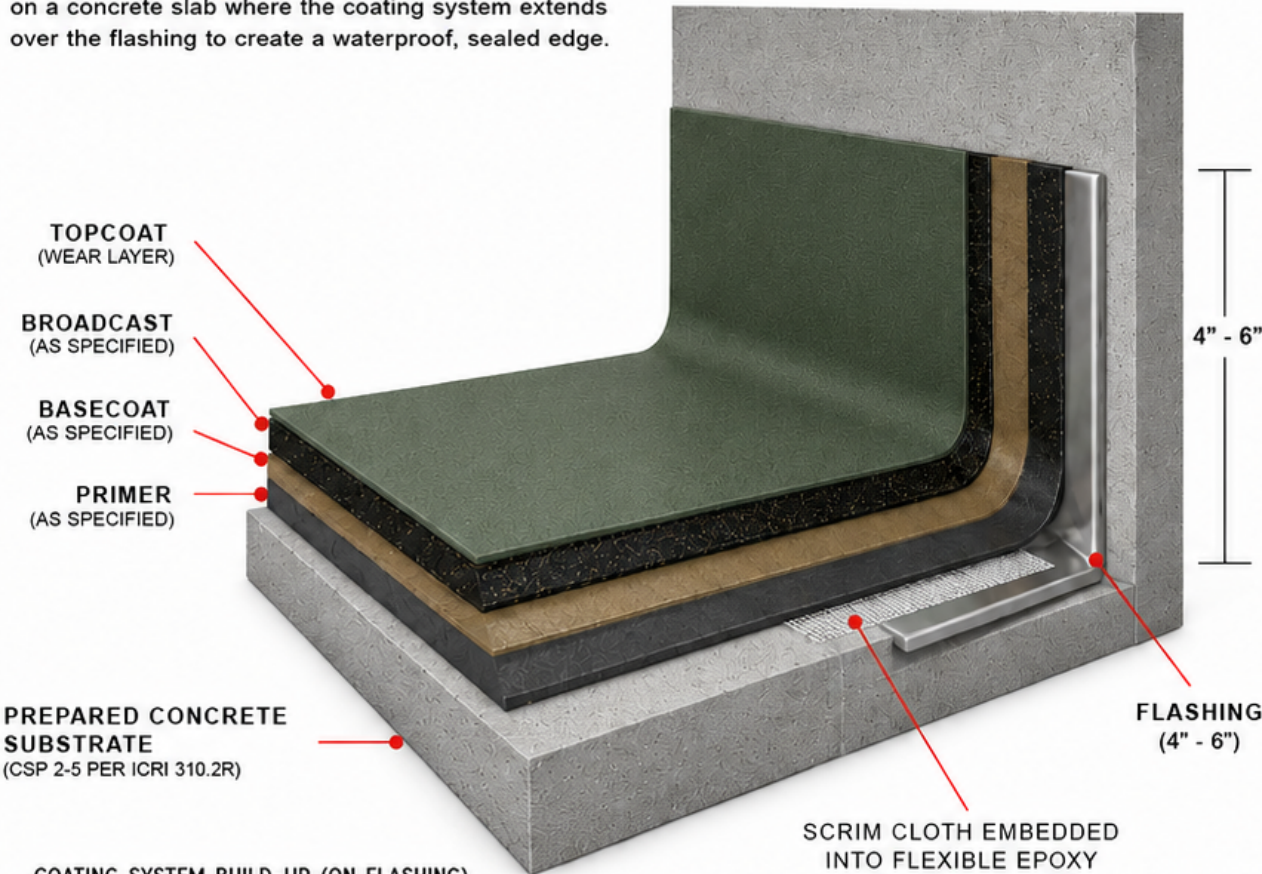


FLASHING TERMINATION DETAIL

COATED TERMINATION TO VERTICAL SURFACE

This detail illustrates a flashing termination installation on a concrete slab where the coating system extends over the flashing to create a waterproof, sealed edge.



PREPARED CONCRETE SUBSTRATE
(CSP 2-5 PER ICRI 310.2R)

COATING SYSTEM BUILD-UP (ON FLASHING)

1	FLEXIBLE EPOXY MEMBRANE	APPLY 2-IN WIDTH ON FLASHING AND SUBSTRATE
2	SCRIM CLOTH	Embedded While Wet
3	PRIMER	As Specified
4	BASECOAT	As Specified
5	BROADCAST	As Specified
6	TOPCOAT (WEAR LAYER)	As Specified

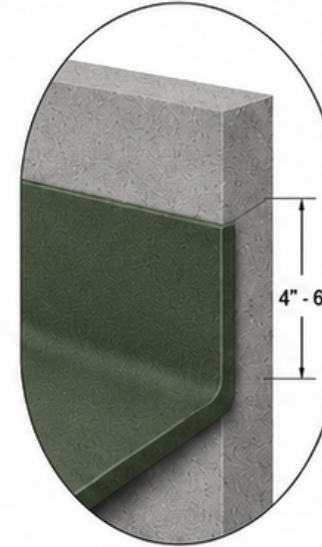
SCRIM CLOTH EMBEDDED INTO FLEXIBLE EPOXY MEMBRANE WITH 2" OVERLAP ONTO FLASHING AND SUBSTRATE

FLASHING
(4" - 6")

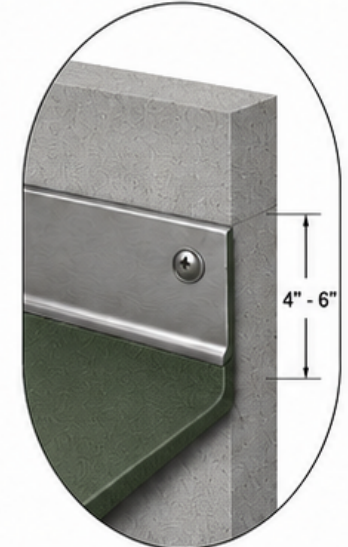
FLASHING TERMINATION OPTIONS

OPTION 1 - COATING EXTENDS OVER FLASHING

OPTION 2 - COATING TERMINATES AT VERTICAL FLASHING



COATING SYSTEM EXTENDS OVER FLASHING AND UP WALL
(4" - 6")



COATING SYSTEM EXTENDS ON FLOOR AND TERMINATES AT FLASHING RADIUS
(4" - 6")

NOTES

1. Install metal flashing in accordance with manufacturer's instructions and applicable building codes.
2. Reinforce and configure with epoxy, embed scrim cloth while wet, then saturate. Allow cure, apply full coating system over flashing and up vertical surface a minimum of 4" and a maximum of 6".
3. Coating system must terminate flush to the horizontal leg of the flashing (Option 1), or extend up the wall (Option 2).



FLASHING TERMINATION DETAIL

COATING SYSTEM TERMINATION
NOT TO SCALE

ISSUE DATE:

01/2026

REVISION:

0

DESCRIPTION:

FOR ARCHITECTURAL /
SPECIFICATION USE