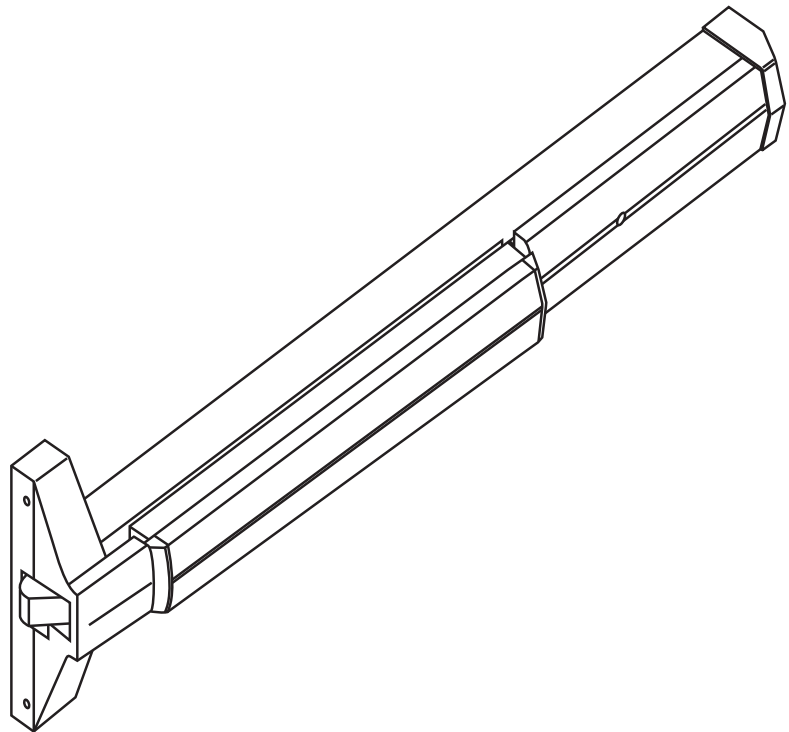


Motorized Electric Latch Retraction (MELR) Retrofit Upgrade Exit Devices

7000 Series Exit Device



WARNING!

This product can expose you to lead which is known to the state of California to cause cancer and birth defects or other reproductive harm. For more information go to www.P65warnings.ca.gov.

7000 Series

MELR Retrofit Upgrade

Installation Instructions



TOC	Table of Contents
1	Latch Retraction Pin. 3
2	782 Power Controller Replacement. 3
3	MELR Replacement Kits 4
4	Retrofitting to the MELR 4

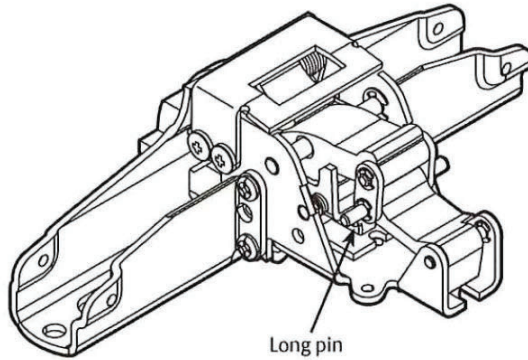
7000 Series

MELR Retrofit Upgrade Installation Instructions

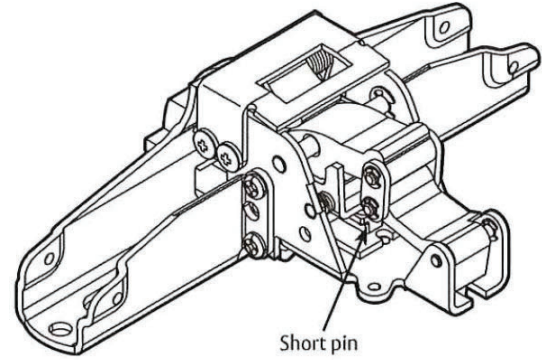


1

Latch Retraction Pin



Latch Retraction Pin
[Beginning April 2015 (15/15)]



Latch Retraction Pin
[Prior to April 2015 (15/15)]

Devices with short pins CANNOT be upgraded. A new latch assembly must be ordered to upgrade to MELR.

NOTE: A label with a date code is located on the front face of the latch assembly.

Important:

- Latch assemblies prior to April 2015 (with short pins) must be replaced.
- Latch assemblies manufactured from April 2015 to present (with long pins and date code: 17/15) can be retrofitted.

2

782 Power Controller Replacement

The 782 Power Controller is not compatible with the MELR option on the Yale 7000 Series Exit Device. In order to duplicate the functionality of the controller, a power supply with a timer is required for the application. Please contact your local Yale Door Security Solutions sales team member for more information.



3

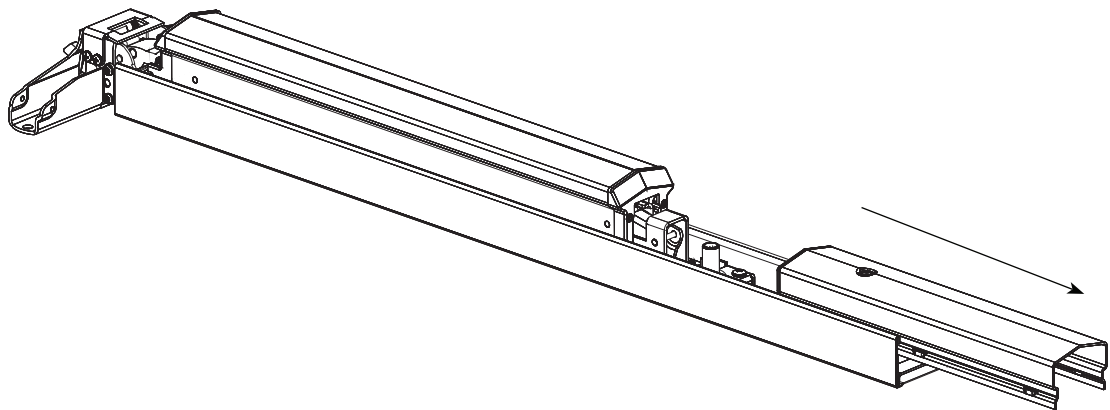
MELR Replacement Kits

Model #	Product Description
RMELR-36	7100 36" MELR Device Assembly Kit
RMELR-36-O	7100 36" MELR Device Assembly Kit with "O" Trim Monitoring Option
RMELR-36-WS	7100 36" MELR Device Assembly Kit with "WS" Windstorm Option
RMELR-36-O-WS	7100 36" MELR Device Assembly Kit with "O" Trim Monitoring and "WS" Windstorm Option
RMELR-38	7100 38" MELR Device Assembly Kit
RMELR-38-O	7100 38" MELR Device Assembly Kit with "O" Trim Monitoring Option
RMELR-48	7100 and 7200 48" MELR Device Assembly Kit
RMELR-48-O	7100 and 7200 48" MELR Device Assembly Kit with "O" Trim Monitoring Option
RMELR-48-WS	7100 and 7200 48" MELR Device Assembly Kit with "WS" Windstorm Option
RMELR-48-O-WS	7100 and 7200 48" MELR Device Assembly Kit with "O" Trim Monitoring and "WS" Windstorm Option

4

Retrofitting to the MELR

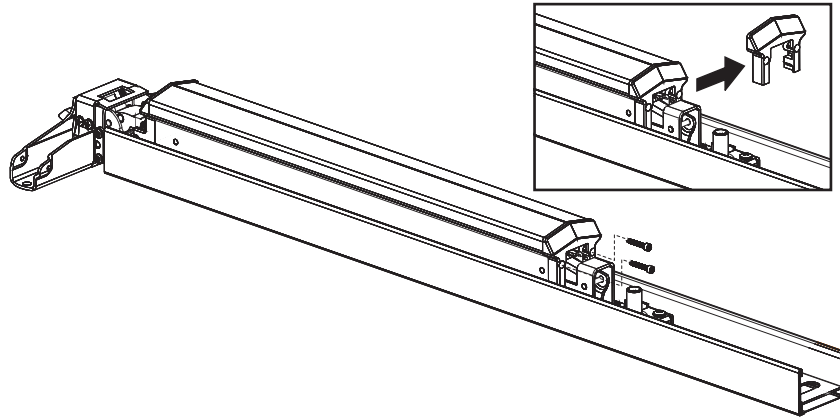
1. Remove the existing carrier assembly from the door.
2. Slide the end cover off the carrier assembly. Save the mounting hardware.



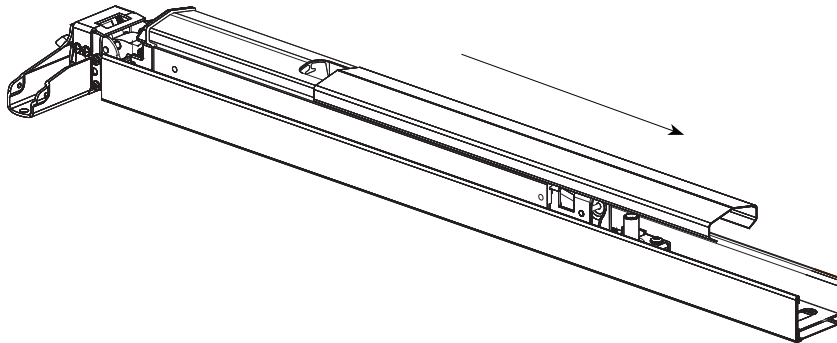
4

Retrofitting to the MELR, continued

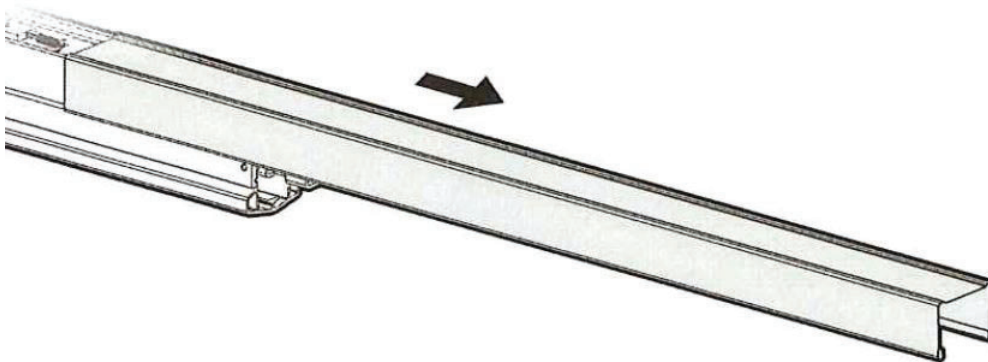
3. Remove the touch bar end plate with a T20 Torx screwdriver.



4. Slide the cover off the carrier assembly.



5. Turn the carrier assembly over and slide the bottom of the carrier cover off of the carrier assembly.





4

Retrofitting to the MELR, continued

- Remove the trim slide, wire protector, and latch assembly, as required for the carrier assembly.

For Option "P" (solenoid) carrier assemblies:

- Remove the four (4) screws holding the trim slide, latch assembly, and connecting slide in place. See Figure 1 on the next page.

For Mechanical carrier assemblies:

- Remove the three (3) screws holding the trim slide and latch assembly in place. See Figure 2.

For Mechanical or Options "P" & "S" carrier assemblies:

- Remove the screws holding the trim slide, wire protector, and latch assembly in place. See Figure 3

Notes:

— Mechanical with Option "S" carrier assemblies require the removal of three screws. See Figure 2.

— Mechanical carrier assemblies do not have a threaded rod and latch assembly.

- Cut the connector off of the end of the switch wire and fit the wire through the grommet in the carrier so the latch assembly can be removed. See Figure 4.

For Mechanical or Options "P" & "B" carrier assemblies:

- Remove the screws holding the trim slide, latch assembly, and connecting slide in place. See Figure 1.

Notes:

— Mechanical with Option "B" carrier assemblies require the removal of three screws. See Figure 2.

— Mechanical carrier assemblies do not have a threaded rod and latch assembly.

For Mechanical or Options "P" & "O" carrier assemblies:

- Remove the screws holding the trim slide and latch assembly in place. See Figure 1.

Notes:

— The Option "O" switch doesn't need to be removed. A new switch is included with the device retrofitting kit.

— Mechanical with Option "O" devices require the removal of the three screws. See Figure 2.

— Mechanical carrier assemblies do not have a threaded rod and latch assembly.

For Mechanical or Options "P", "S", & "B" carrier assemblies:

- Remove the screws holding the trim slide, wire protector, latch assembly, and connecting slide in place. See Figure 3.

- Cut the connector off of the end of the switch wire and fit the wire through the grommet in the carrier so the latch assembly can be removed. See Figure 4.

Notes:

— Mechanical with Options "S" & "B" devices require the removal of three screws. See Figure 2.

— Mechanical carrier assemblies do not have a threaded rod and latch assembly.

7000 Series

MELR Retrofit Upgrade Installation Instructions



4

Retrofitting to the MELR, continued

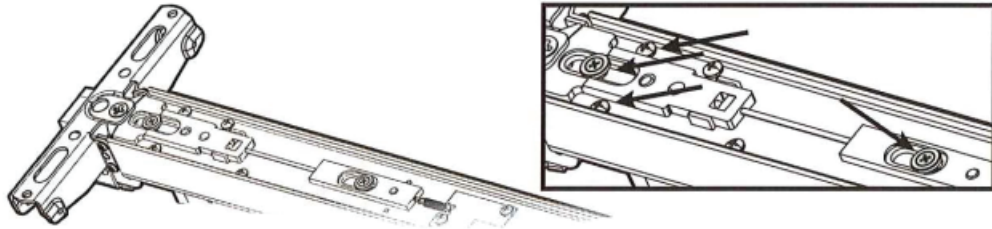


Figure 1 Four-screw removal (Option "P" base device)

Note: If a spring is attached to the latch assembly, carefully disconnect the spring before removing the latch assembly.

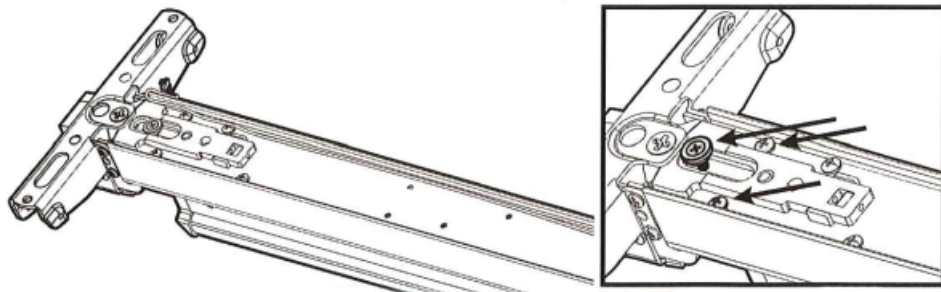


Figure 2 Three-screw removal (Mechanical base device)

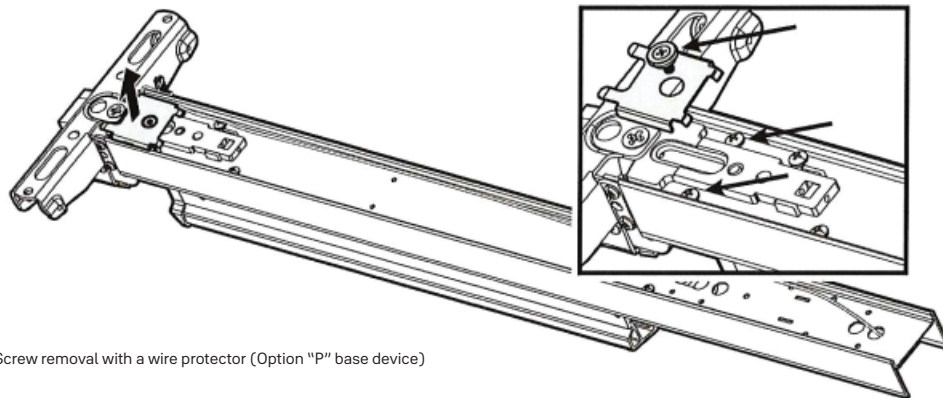


Figure 3 Screw removal with a wire protector (Option "P" base device)

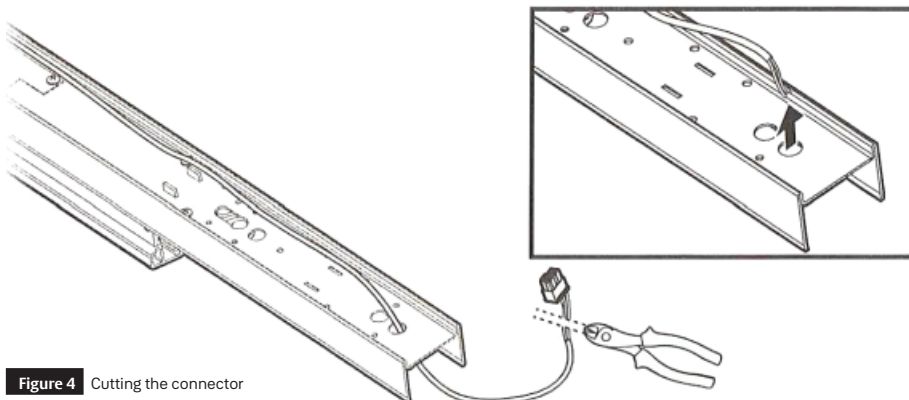


Figure 4 Cutting the connector

For technical support contact Yale® at 800.438.1951 x5033 or support@yalelocks.com

Copyright ©2020 ASSA ABLOY Access and Egress Hardware Group, Inc. All rights reserved. Reproduction in whole or in part without the express written permission of ASSA ABLOY Access and Egress Hardware Group, Inc. is prohibited

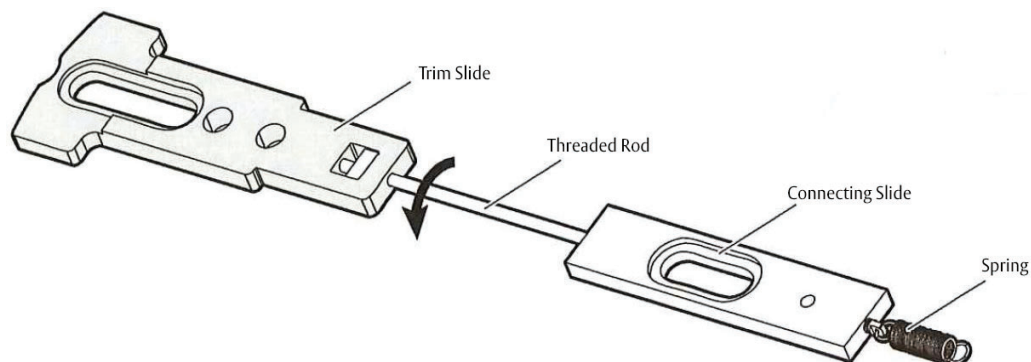
80-9477-0783-000 12/20

ASSA ABLOY

4

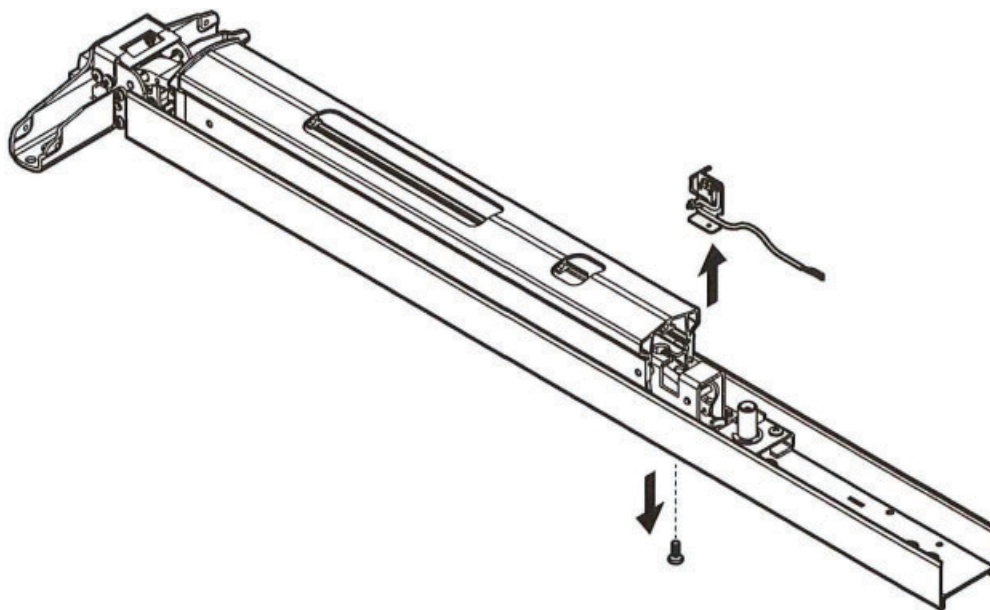
Retrofitting to the MELR, continued

7. Unscrew the threaded rod from the trim slide (Option "P" only).



- Keep the trim slide.
- Discard the threaded rod, the connecting slide, and the spring (as applicable).

8. Remove the switch and bracket, if applicable.



For Mechanical or Options "P" & "B" carrier assemblies:

- Remove the screw on the bottom of the existing carrier assembly to release the switch and bracket.

For Mechanical or Options "P", "S", & "B" carrier assemblies:

- Remove the screw on the bottom of the existing carrier assembly to release the switch and bracket.

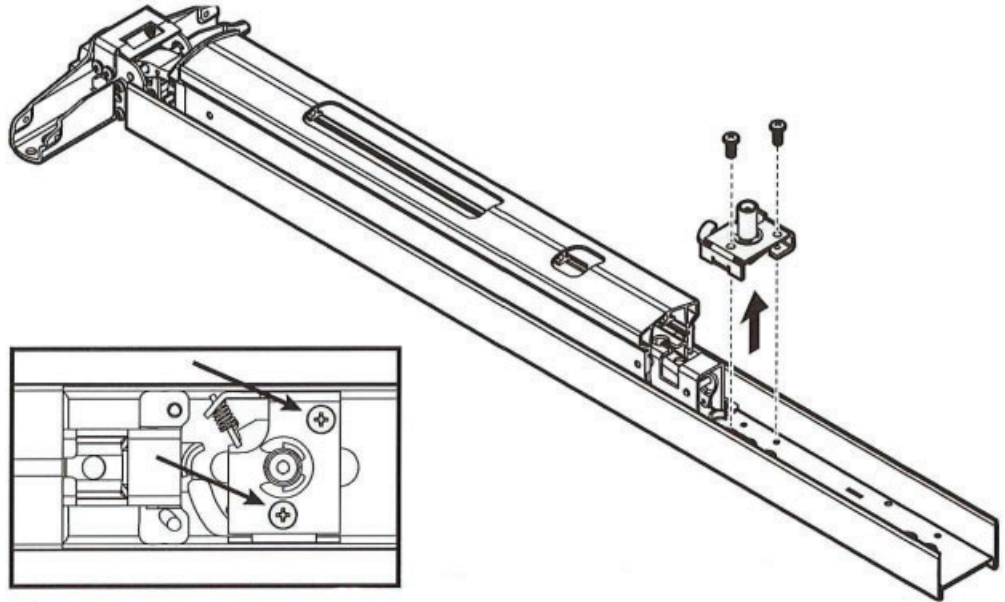
7000 Series

MELR Retrofit Upgrade Installation Instructions

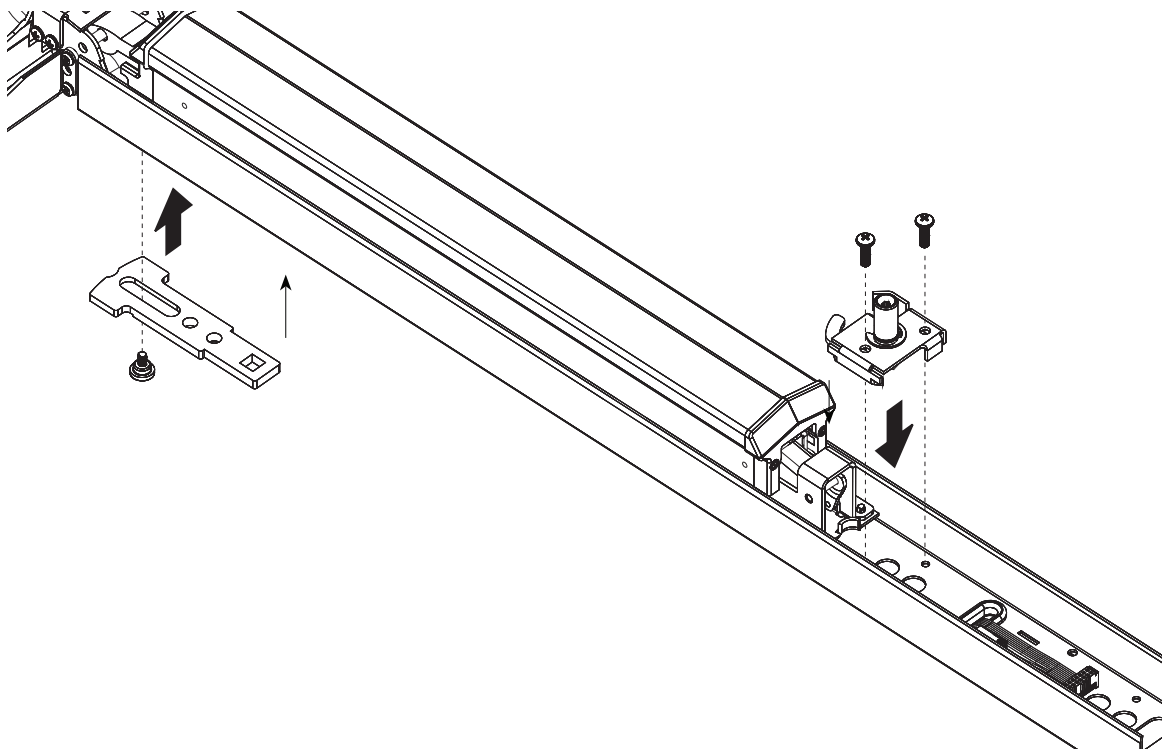


4 Retrofitting to the MELR, continued

- 9. If the device has a mechanical dogging assembly, remove the assembly by unscrewing the two screws holding it to the device.



- 10. Move the trim slide, touchbar cover, touchbar end plate, and the mechanical dogging assembly to the new MELR device.



For technical support contact Yale® at 800.438.1951 x5033 or support@yalelocks.com

Copyright ©2020 ASSA ABLOY Access and Egress Hardware Group, Inc. All rights reserved. Reproduction in whole or in part without the express written permission of ASSA ABLOY Access and Egress Hardware Group, Inc. is prohibited

80-9477-0783-000 12/20

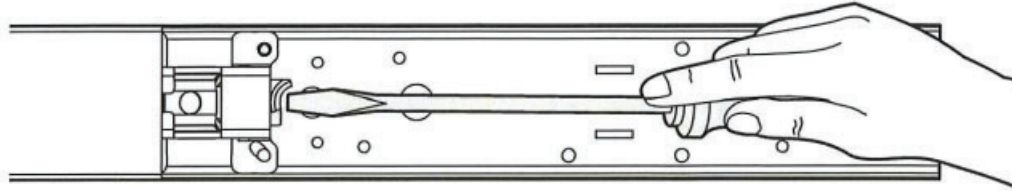
ASSA ABLOY



4

Retrofitting to the MELR, continued

11. Test the mechanical dogging assembly.



If the assembly does not have the proper latch retraction.

- Remove the dogging assembly:
- Adjust the retraction level by gently prying the latch hook with a screwdriver.
- Reinstall the dogging assembly.
- Test and adjust the latch retraction, as needed.

12. Connect the motor and jumper harness, if applicable.

For Mechanical or Options "P" & "S" devices:

- Route the switch wire around the wire protector and through the grommet in the carrier. See Figure 5.
 - Cut the switch wire 2" past the grommet.
 - Cut the jumper harness (p/n 60-7700-0970 included), leaving enough length to splice the jumper harness to the switch wires and also plug into the motor harness. See Figure 6 on the next page.
- Note:**
- Verify the connector being cut prior to cutting it off.
- Splice the switch wires to the matching color wires on the jumper harness and secure with the wire nuts provided. See Figure 6:
 - Plug the jumper harness into the motor harness. See Figure 7 on the next page.

For Mechanical or Options "P" & "S" devices:

- Install the Option "B" switch. Refer to Section 4 Step 8 "Remove the Switch and Bracket, if applicable" on page 7.
- Connect the switch wire to the motor harness. If required for length, use the provided jumper harness (p/n 60-7700-0970). See Figure 7.

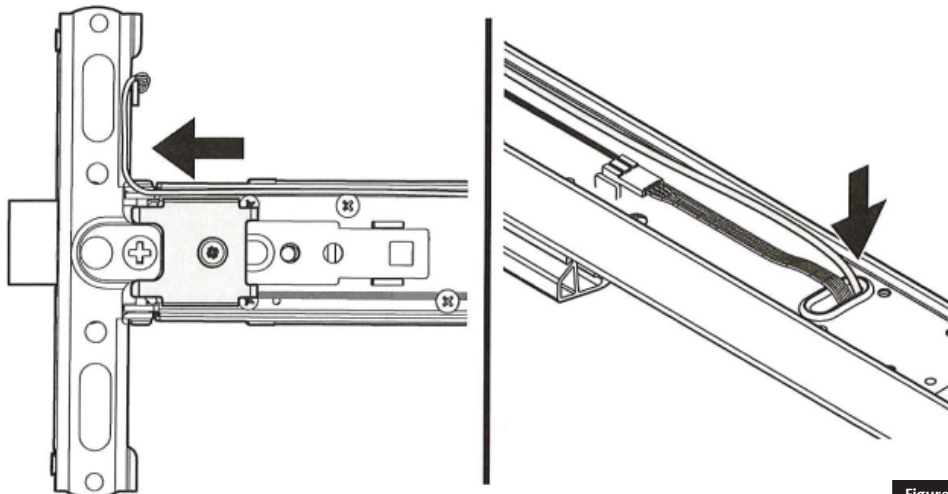


Figure 5 Routing the switch wire

MELR Retrofit Upgrade Installation Instructions

4

Retrofitting to the MELR, continued

13. Connect the motor and the jumper harness, if applicable, continued.

For Mechanical or Options "P", "S", & "B" devices:

- Route the switch wire around the wire protector & through the grommet in the carrier. See Figure 5 on the previous page.
- Cut the switch wire 2" past the grommet.
- Cut the jumper harness (p/n 60-7700-0970), leaving enough length to splice the jumper harness to the switch wires and also plug into the motor harness. See Figure 6.

Note:

- Verify the connector being cut prior to cutting it off.
- Splice the switch wires to the matching color wires on the jumper harness and secure with the wire nuts provided. See Figure 6:
- Plug the jumper harness into the motor harness. See Figure 7.

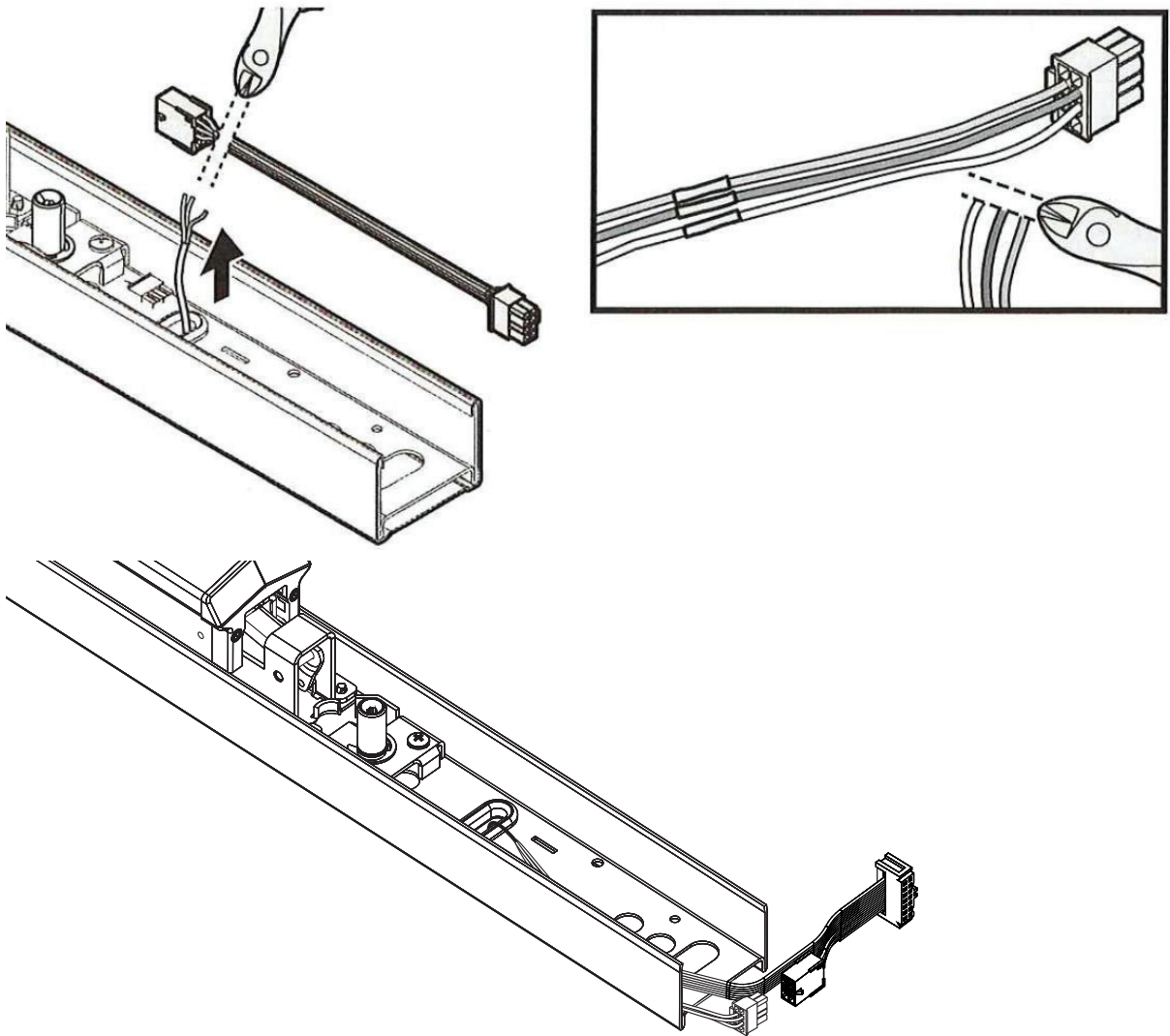


Figure 7 Plugging in the jumper harness

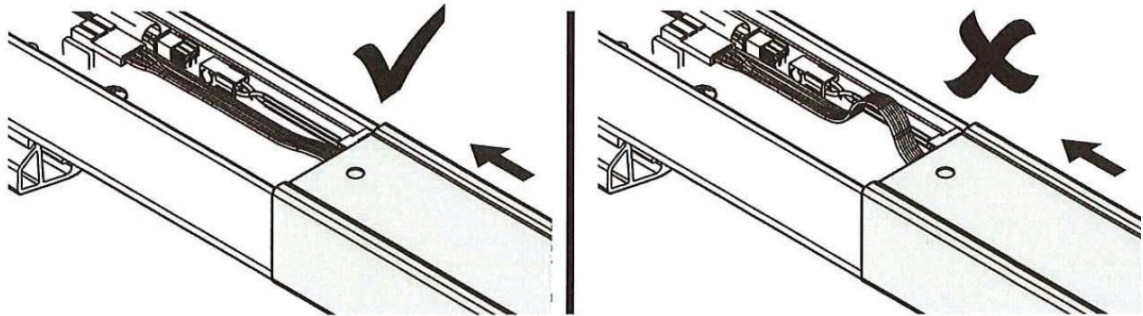
For technical support contact Yale® at 800.438.1951 x5033 or support@yalelocks.com

Copyright ©2020 ASSA ABLOY Access and Egress Hardware Group, Inc. All rights reserved. Reproduction in whole or in part without the express written permission of ASSA ABLOY Access and Egress Hardware Group, Inc. is prohibited

80-9477-0783-000 12/20

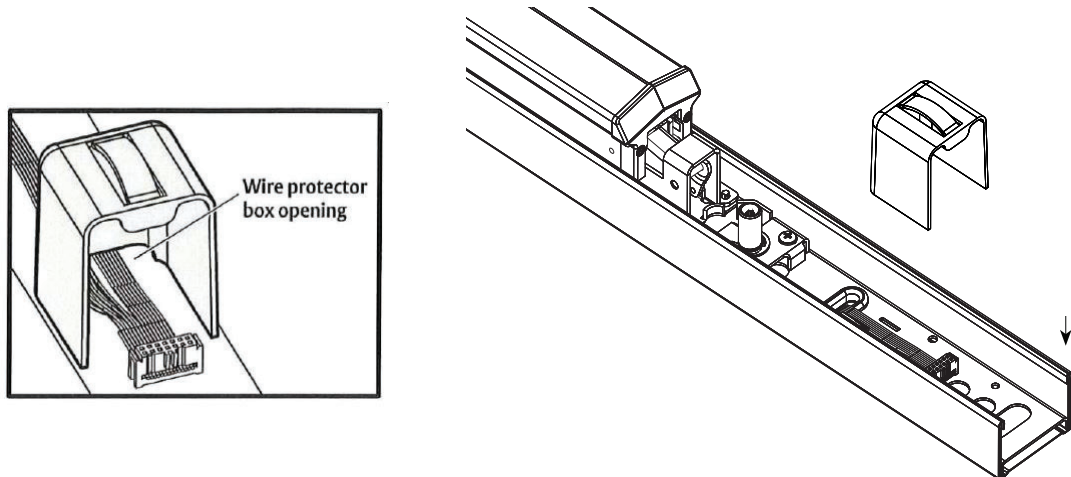
4 Retrofitting to the MELR, continued

14. Slide the carrier cover onto the device.



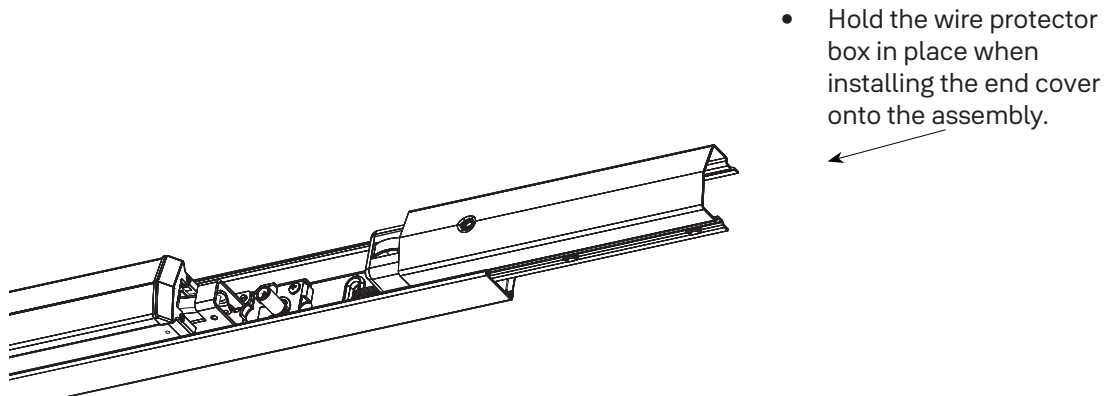
- The wires must lay flat when moving the carrier cover.

15. Install the wire protector.



- Install the wire protector box into the device to prevent wire damage from the movement of the dogging assembly and end cover. All wires must move through the box opening.

16. Slide the end cover onto the carrier assembly



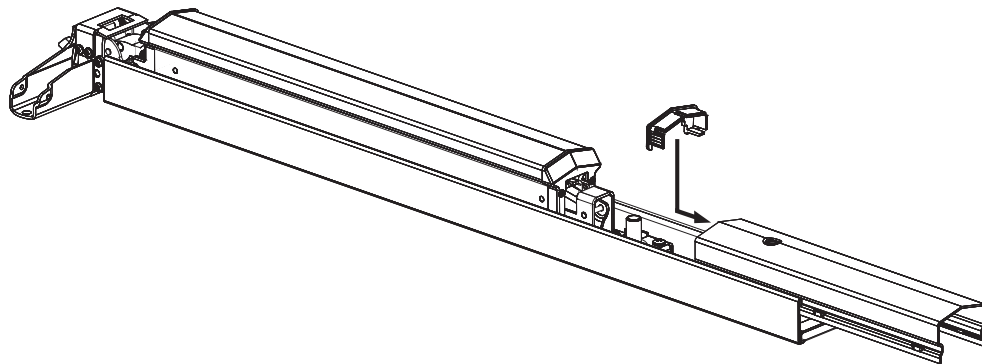


4

Retrofitting to the MELR, continued

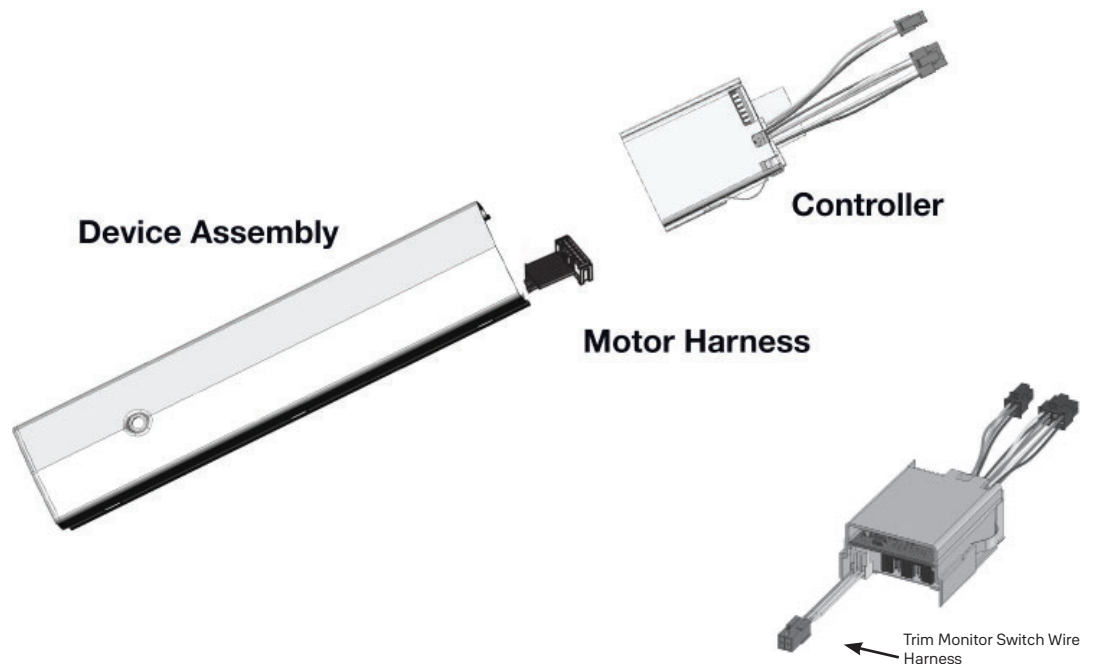
17. Install the end cover.

- Push the cover onto the carrier assembly, leaving enough room to install the end cap.
- Once the end cap is installed, slide the cover until the end of the cover is flush with the end of the carrier assembly.



For Mechanical or M94 with M93:

- Connect the motor wire harness and the trim monitor wire harness to the controller.
- Confirm the position of the trim monitor wire harness is set to "normally closed" (NC) or "normally open" (NO) as appropriate for the application. See Figure 8 on the next page.

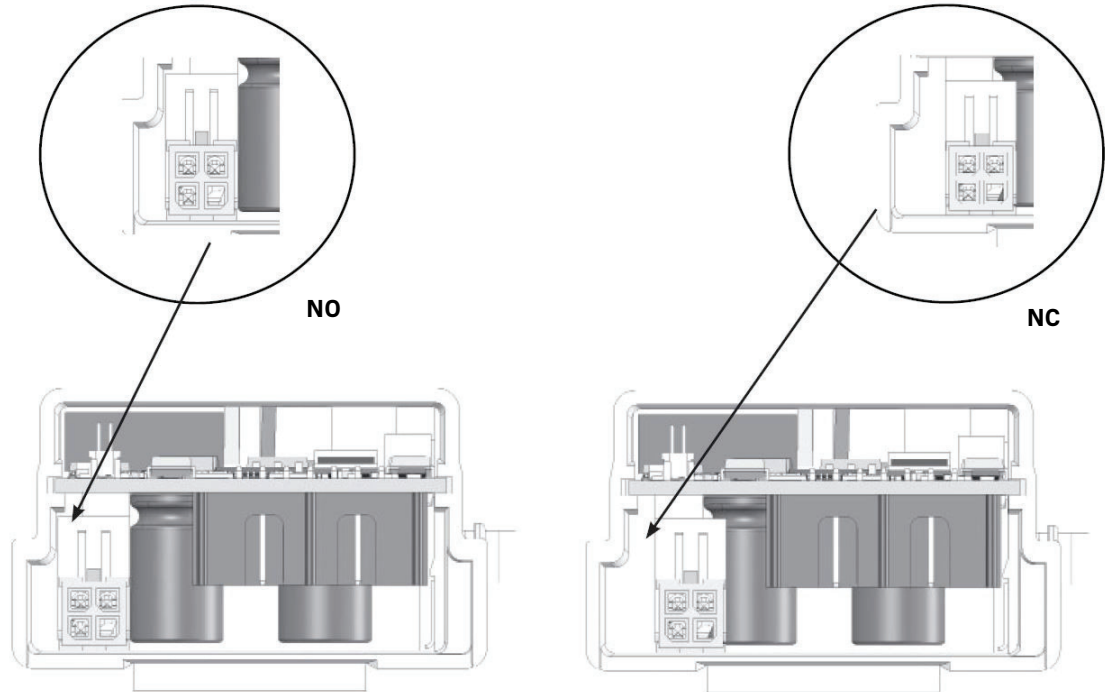


4

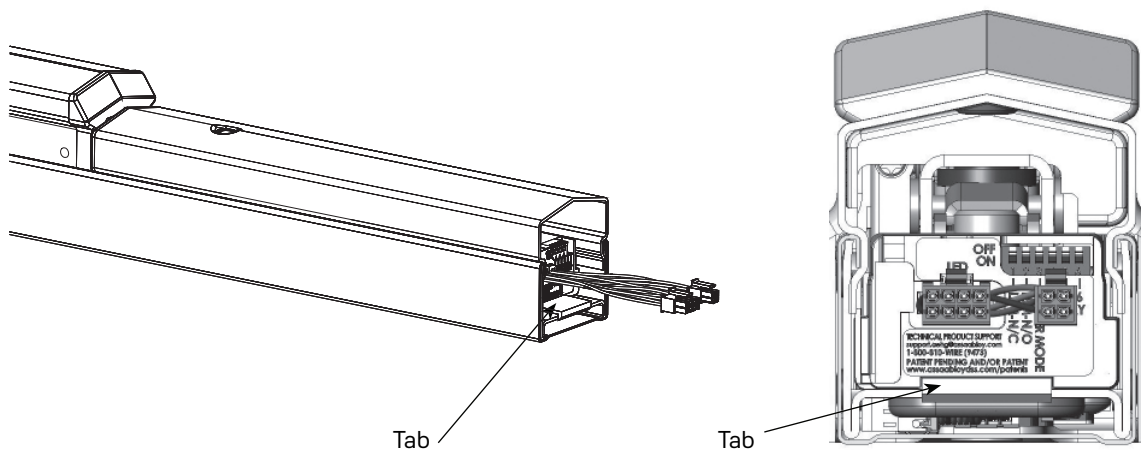
Retrofitting to the MELR, continued

18. Connect the harness to the controller, continued.

Figure 8 Normally Closed (NC) & Normally Open (NO) Trim Monitor Positions



19. Install the controller into the carrier assembly



- Slide controller into touch bar, making sure tab is securely attached over end of the carrier.

20. Install the carrier assembly on the door using the saved mounting hardware.

7000 Series

MELR Retrofit Upgrade Installation Instructions



For technical support contact Yale® at 800.438.1951 x5033 or support@yalelocks.com

Copyright ©2020 ASSA ABLOY Access and Egress Hardware Group, Inc. All rights reserved. Reproduction in whole or in part without the express written permission of ASSA ABLOY Access and Egress Hardware Group, Inc. is prohibited

80-9477-0783-000 12/20

ASSA ABLOY



Trusted every day

Customer Service Phone:

1-800-438-1951

Customer Service Fax:

1-800-338-0965

Technical Product Support:

techsupport.yale@assaabloy.com

Customer Service:

customerservice.yale@assaabloy.com

Website:

Yalecommercial.com

Email for orders:

orders.yaleus@assaabloy.com

Contact Us

U.S.A.

Yale Locks & Hardware

Address: 225 Episcopal Road

Berlin, CT 06037-4004

Tel: 1-800-438-1951

Fax: 1-800-338-0965

yalecommercial.com

Canada:

ASSA ABLOY Door Security Solutions Canada

Address: 160 Four Valley Drive

Vaughan, Ontario L4K 4T9

Tel: 1-800-461-3007

Fax: 1-800-461-8989

assaabloydss.ca

International:

ASSA ABLOY Americas International

Tel: 1-905-821-7775

Fax: 1-905-821-1429

assaabloyai.com

THE YALE BRAND, with its unparalleled global reach and range of products, reassures more people in more countries than any other consumer locking solution.

THE ASSA ABLOY GROUP is the world's leading manufacturer and supplier of locking solutions, dedicated to satisfying end-user needs for security, safety and convenience.

Yale Commercial is a business associated with ASSA ABLOY Access and Egress Hardware Group, Inc., an ASSA ABLOY Group company. Copyright © 2018, 2020, ASSA ABLOY Access and Egress Hardware Group, Inc. All rights reserved. Reproduction in whole or in part without the express written permission of ASSA ABLOY Access and Egress Hardware Group, Inc. is prohibited. Patent pending and/or patent www.assaabloydss.com/patents.