

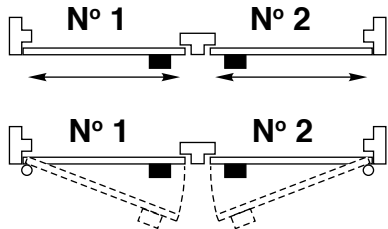
# Installation Instructions



## N° 197 and 197-1/4 Boltlock Auxiliary Deadbolt

### General Info

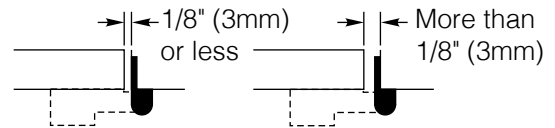
For wood doors 1-3/8" to 2-1/4" (35mm to 57mm) thick with wood frames.



Use 197F Flat Strike and 97 Spacer Plate For Other Applications:

- Doors Opening Outward
- Hollow Metal Doors and Frames
- Pairs of Doors Opening Inward
- Pairs of Doors Opening Outward
- Pairs of Sliding Doors
- Sliding Doors on Outside of Frame

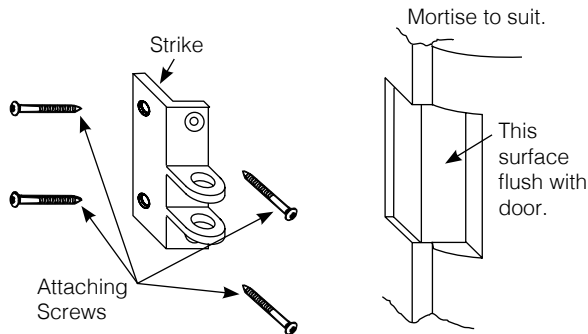
### 1. Determine Strike Mount



- Determine if strike is mortised or surface mounted. (See illustrations above.)

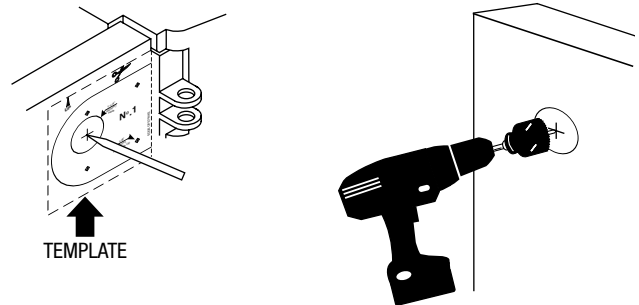
### 2. Strike Installation

- Determine desired height of lock.
- Determine gap between door and frame.
- Install strike.

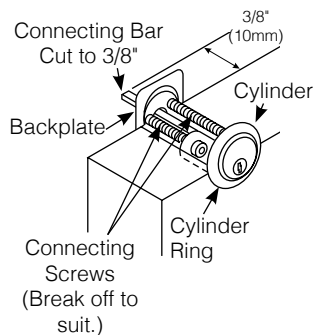


### 3. Wood Door Prep

- Mark door.
- Drill holes.

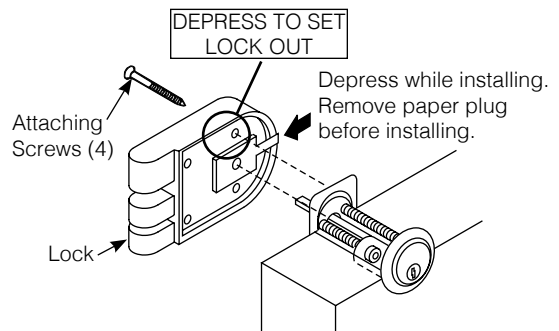


### 4. Cylinder Installation



Connecting bar and screws available for 2-1/4" to 3-1/4" (57mm to 82mm) doors.

### 5. Lock Installation



#### For 197-1/4 Only - One Way Screws

- Temporarily attach lock to door with two (2) slotted screws.
- Check alignment and operation of lock.
- Install One-Way screws by replacing temporary screws.

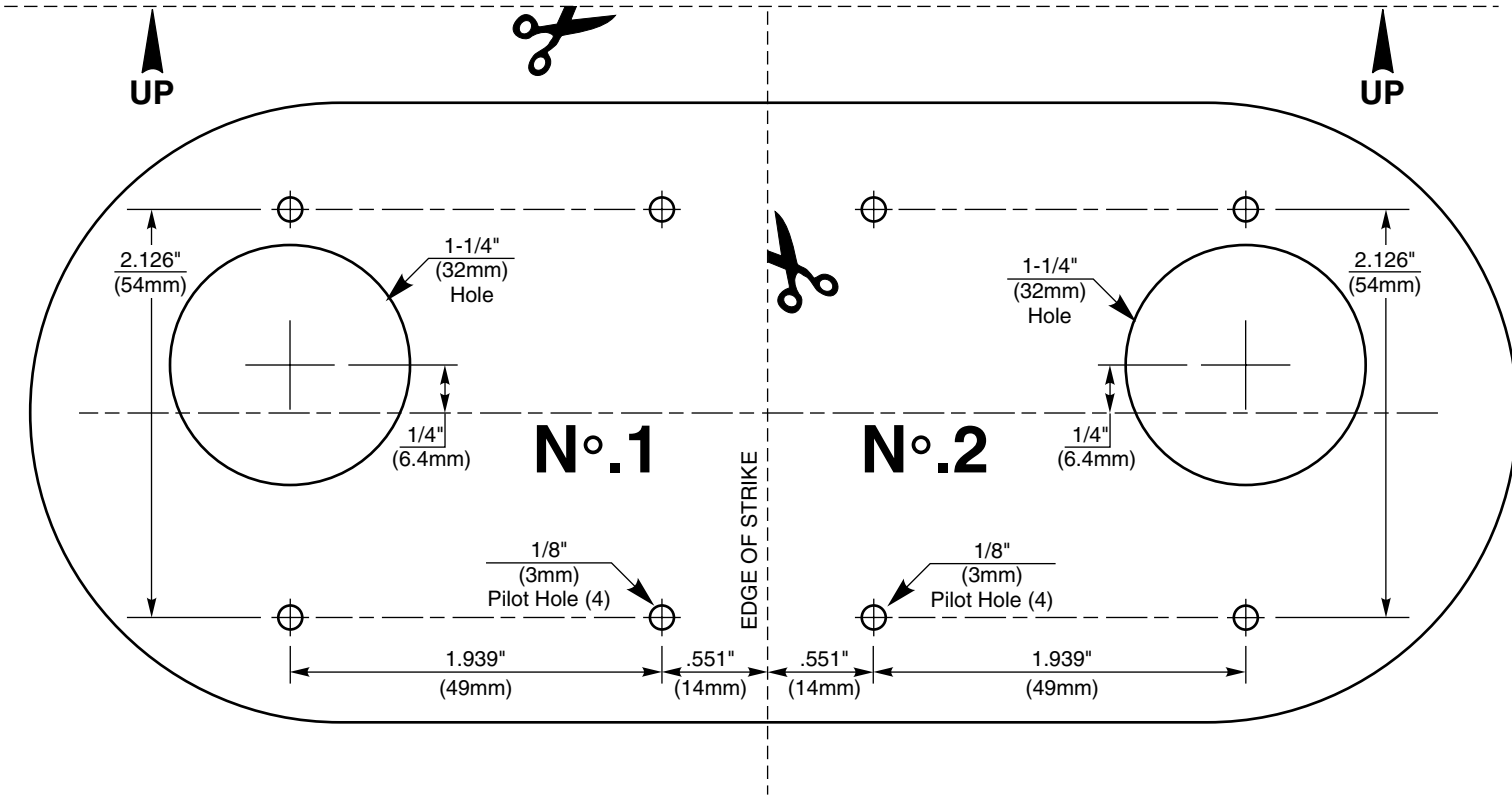
For technical support contact Yale® at 800.438.1951 x5033 or support@yalelocks.com

Copyright ©2018 Yale Security Inc., an ASSA ABLOY Group Company. All rights reserved. Reproduction in whole or in part without the express written permission of Yale Security Inc. is prohibited.

80-9350-0003-000 04/18

An ASSA ABLOY Group brand

ASSA ABLOY



### Yale Locks & Hardware

Product Support Tel 800.438.1951 • [www.yalelocks.com](http://www.yalelocks.com)

**Yale Locks & Hardware is a division of Yale Security Inc., an ASSA ABLOY Group company.**

Yale® is a registered trademark of Yale Security Inc., an ASSA ABLOY Group Company. Other products' brand names may be trademarks or registered trademarks of their respective owners and are mentioned for reference purposes only. These materials are protected under U.S. copyright laws. All contents current at time of publication. Yale Security Inc. reserves the right to change availability of any item in this catalog, its design, construction, and/or its materials.

For technical support contact Yale® at 800.438.1951 x5033 or [support@yalelocks.com](mailto:support@yalelocks.com)

Copyright ©2018 Yale Security Inc., an ASSA ABLOY Group Company. All rights reserved. Reproduction in whole or in part without the express written permission of Yale Security Inc. is prohibited.

80-9350-0003-000 04/18

An ASSA ABLOY Group brand

**ASSA ABLOY**