

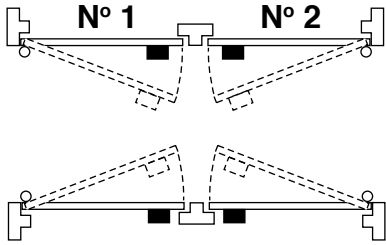
Installation Instructions



N° 112 and 112-1/4 Boltlock Auxiliary Heavy Duty Deadbolt

General Info

For wood doors 1-3/8" to 2-1/4" (35mm to 57mm) thick with wood frames.



For Doors Opening Outward
Use #12F Reverse Bevel Strike

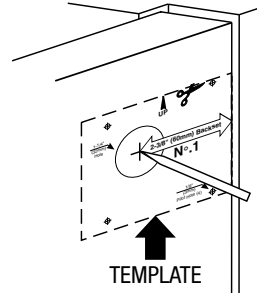
(Instructions and Strike Available Upon Request)

For 112-1/4 Only - One Way Screws

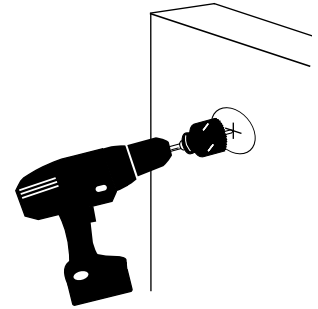
1. Temporarily attach lock to door with two (2) slotted screws.
2. Check alignment and operation of lock.
3. Install One-Way screws by replacing temporary screws.

1. Wood Door Prep

1. Mark door.

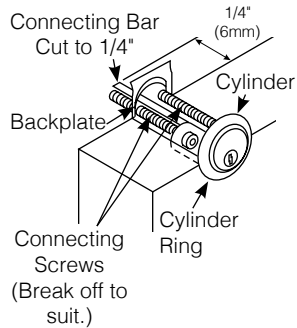


2. Drill holes.

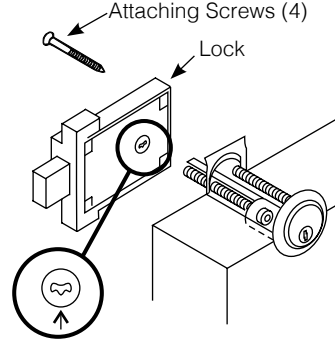


2. Lock Installation

1. Install cylinder.



2. Install lock.

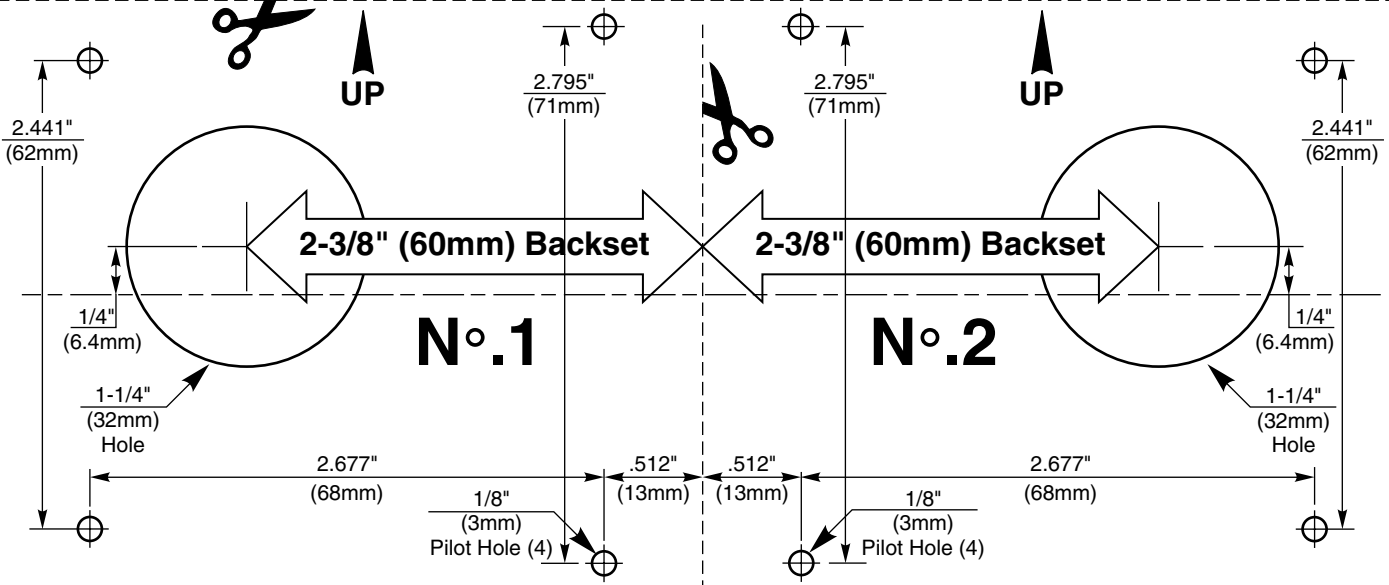
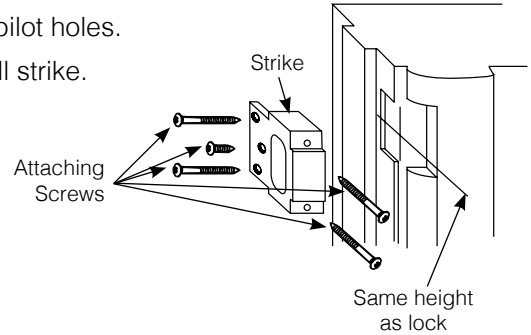


3. Frame Prep and Strike Installation

1. Mortise frame to suit.

2. Drill pilot holes.

3. Install strike.



For technical support contact Yale® at 800.438.1951 x5033 or support@yalelocks.com

Copyright ©2018 Yale Security Inc., an ASSA ABLOY Group Company. All rights reserved. Reproduction in whole or in part without the express written permission of Yale Security Inc. is prohibited.

80-9350-0002-000 04/18

An ASSA ABLOY Group brand

ASSA ABLOY