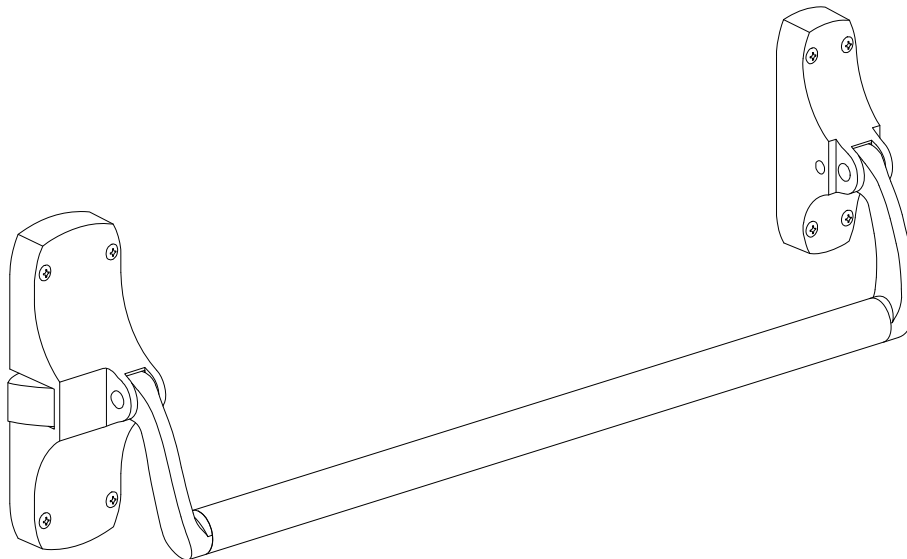


VON DUPRIN®

PARTS MANUAL

July 2009

88 RIM SERIES EXIT DEVICES



PM88 RIM_A
VD-5554

IR Ingersoll Rand
Security Technologies

Copyright © 2009 Ingersoll-Rand. All rights reserved.

INDEX

General Information

Introduction	2
How to Order	2
Part Number Changes	2
88 Rim Series Finishes	3
Outside Trim Functions	3
Strikes	3

88 Rim Series Device Parts

Crossbars	4
Lever Arm Kits	5
Lever Arm Parts Packages	6
End Case Kit and End Case Parts	8
Center Case Parts: EO, DT, and NL Panic Exit Devices	10
Center Case Parts: EO and NL Fire Exit Devices	12
Center Case Parts: TP Panic Exit Devices	14
Center Case Parts: TP Fire Exit Devices	16
Center Case Parts: K/L Panic Exit Devices	18
Center Case Parts: K/L Fire Exit Devices	20
Backplate Conversion Kits	22
Center Case Kits	23

INTRODUCTION

This manual contains a listing of replaceable parts and assemblies for the 88 Series Panic and FEH Devices.

HOW TO ORDER

Some parts are sold separately. Other items are available as part of a kit or multiple quantity package. For the best possible service when ordering replacement parts or assemblies, please provide the following information:

- Part number or assembly number
- Description
- Quantity needed
- Finish desired (if available finished)
- Date of original purchase (if known)

To find out the name of your local Von Duprin distributor or sales representative, contact:

Von Duprin Division
Ingersoll-Rand Company
2720 Tobey Drive
Indianapolis, Indiana 46219
Phone: (800) 999-0408
Fax: (800) 999-0328

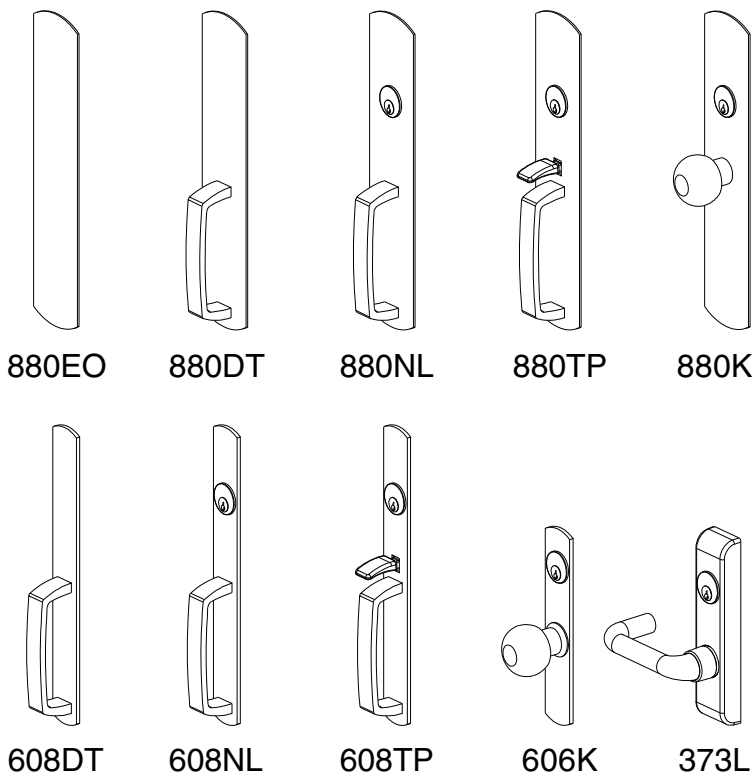
PART NUMBER CHANGES

This manual reflects the product as sold in July 2009. Because of changes to the product and/or manufacturing process, part numbers can change.

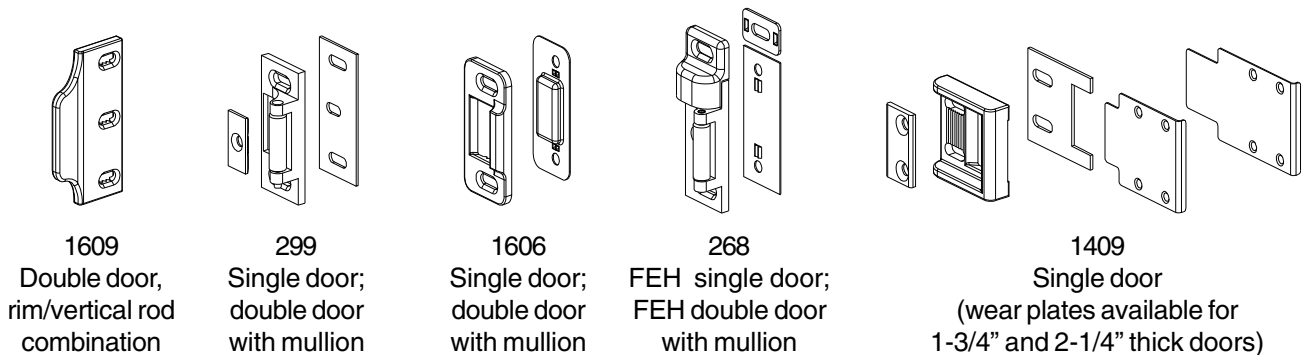
88 RIM SERIES FINISHES

US Number	BHMA Number	Color
US3	605	Brass, polished
US4	606	Brass, dull
US10	612	Bronze, dull
US10B	613	Brass, dull (oxidized)
US26	625	Chrome, polished
US26D	626	Chrome, dull
SPBLK	693	Gloss Black Powder Coat

OUTSIDE TRIM FUNCTIONS



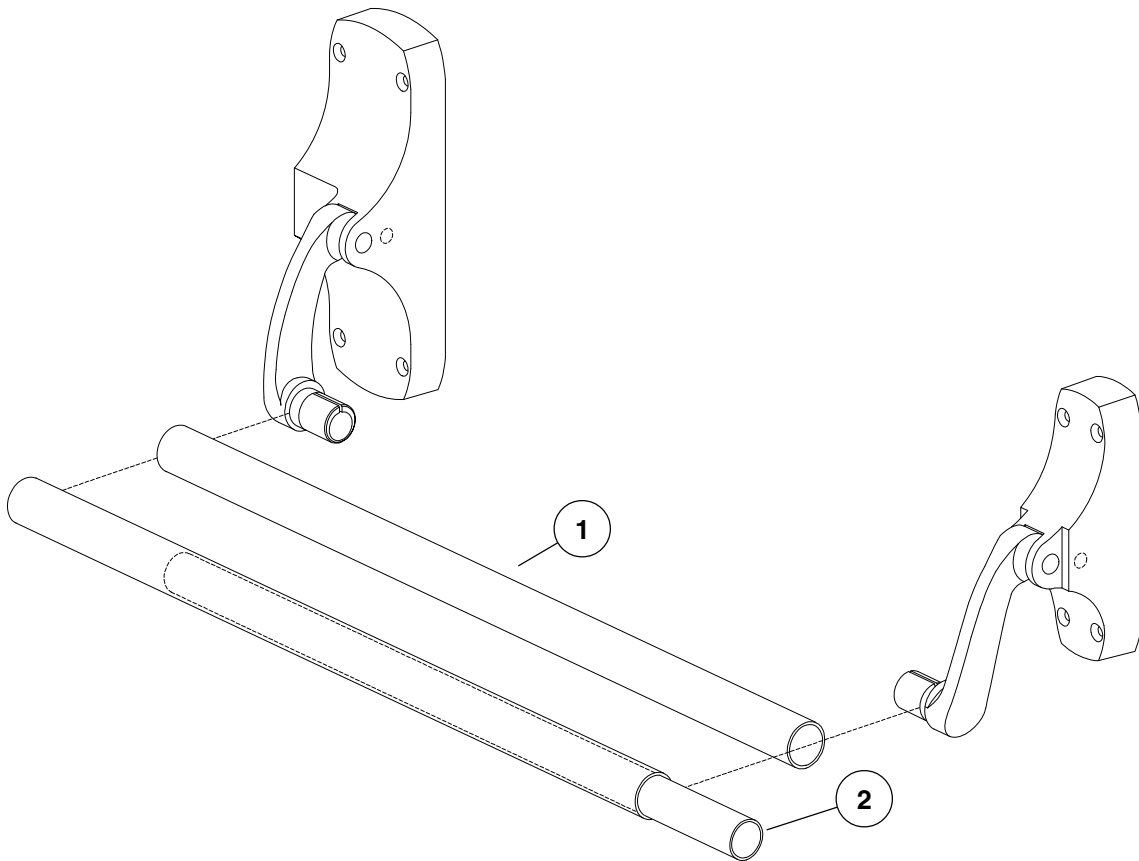
STRIKES



CROSSBARS

Item No.	Part No.	Description	Quantity	Finish
1	050004	42" Standard Crossbar Kit	1	X
1	050005	42" Knurled Crossbar Kit	1	X
2	050459	37" Crossbar Reinforcement Kit	1	

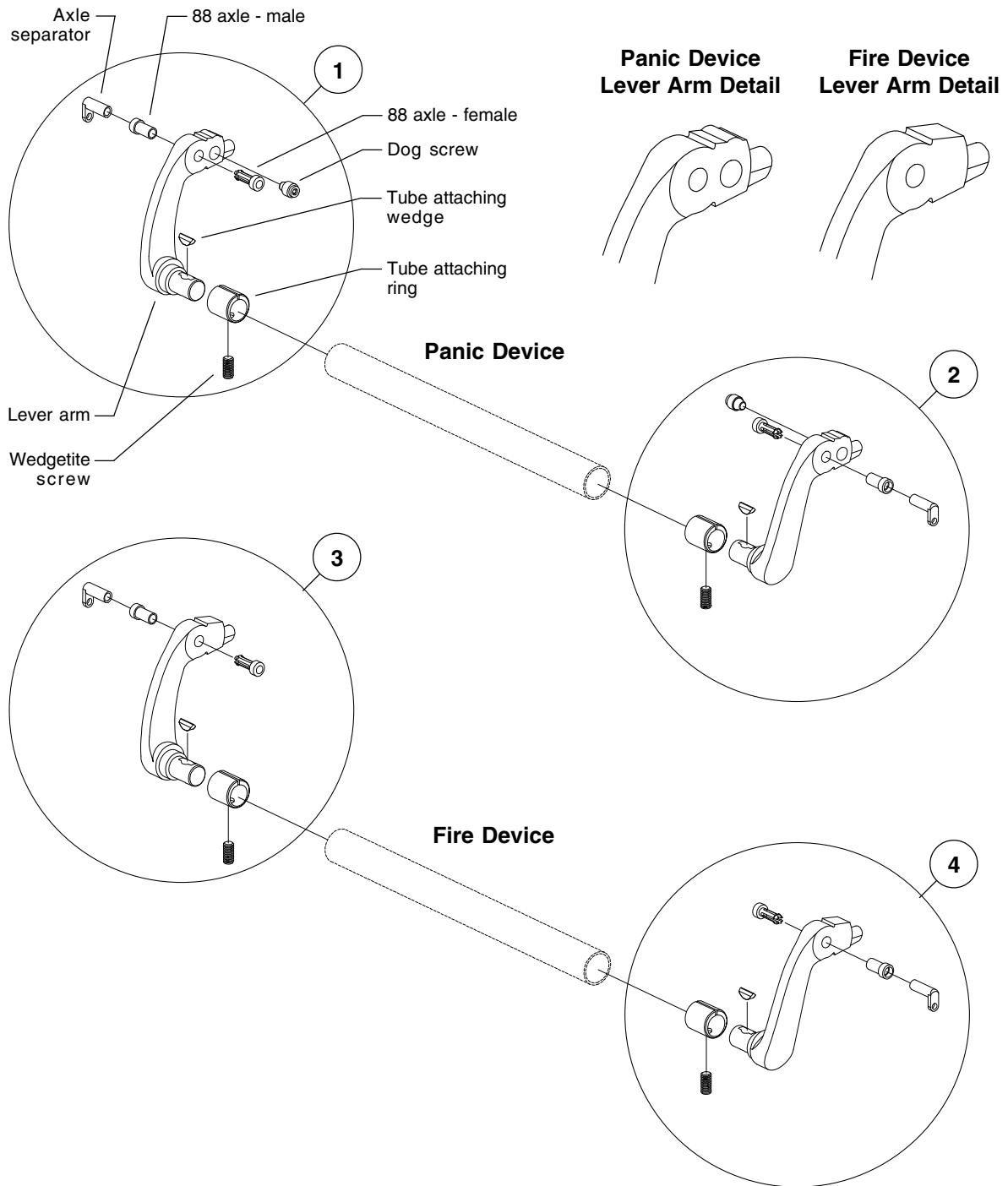
X in "Finish" column designates finished item; specify finish when ordering.



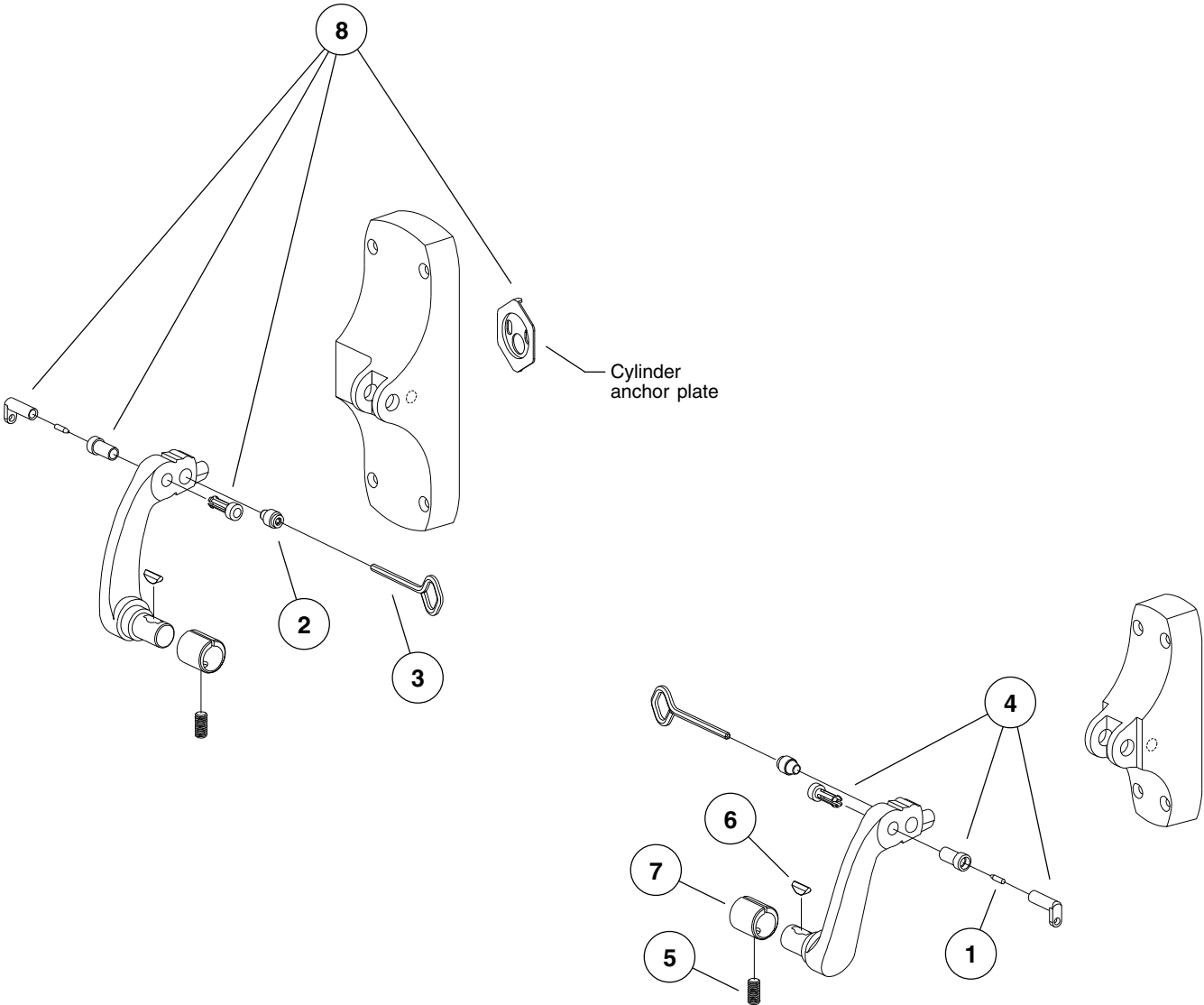
LEVER ARM KITS

Item No.	Part No.	Description	Quantity	Finish
1	050439	88 R/M/V LH Lever Arm Kit	1	X
2	050438	88 R/M/V RH Lever Arm Kit	1	X
3	050441	88-F Rim LH Lever Arm Kit	1	X
4	050440	88-F Rim RH Lever Arm Kit	1	X

X in "Finish" column designates finished item; specify finish when ordering.



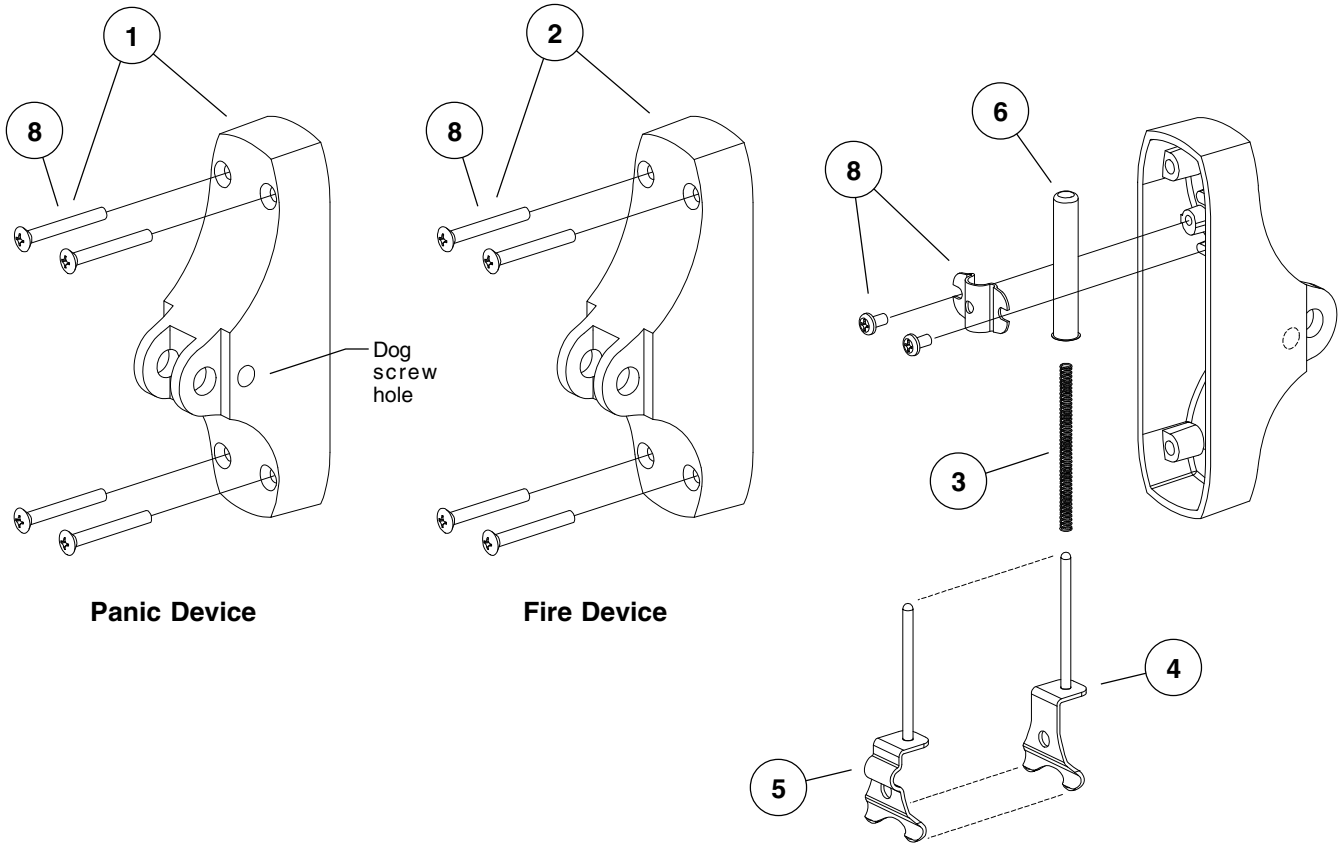
LEVER ARM PARTS PACKAGES



LEVER ARM PARTS PACKAGES

Item No.	Part No.	Description	Quantity	Finish
1	090007	Axle Security Pin Pkg.	10	
1	033022	Axle Security Pin Pkg.	50	
2	090004	Dog Screw Pkg.	2	
2	090083	Dog Screw Pkg.	10	
3	090005	227 Dog Key 5/32" Pkg.	2	
3	090085	227 Dog Key 5/32" Pkg.	10	
4	090006	Lever Arm Axle Pkg.		
		88 Axle Separator	2	
		88 Axle - Male	2	
		88 Axle - Female	2	
4	090082	Lever Arm Axle Pkg.		
		88 Axle Separator	10	
		88 Axle - Male	10	
		88 Axle - Female	10	
5	090008	Wedgetite Screw Pkg.	2	
5	090081	Wedgetite Screw Pkg.	30	
6	090020	Crossbar Tube Attaching Wedge Pkg.	2	
7	090021	Crossbar Tube Attaching Ring Pkg.	2	
8	103865	88 Lever Arm Axle Pkg.		
		Cyliner Anchor Plate	1	
		88 Axle Separator	1	
		88 Axle - Male	2	
		88 Axle - Female	2	

END CASE KIT AND END CASE PARTS

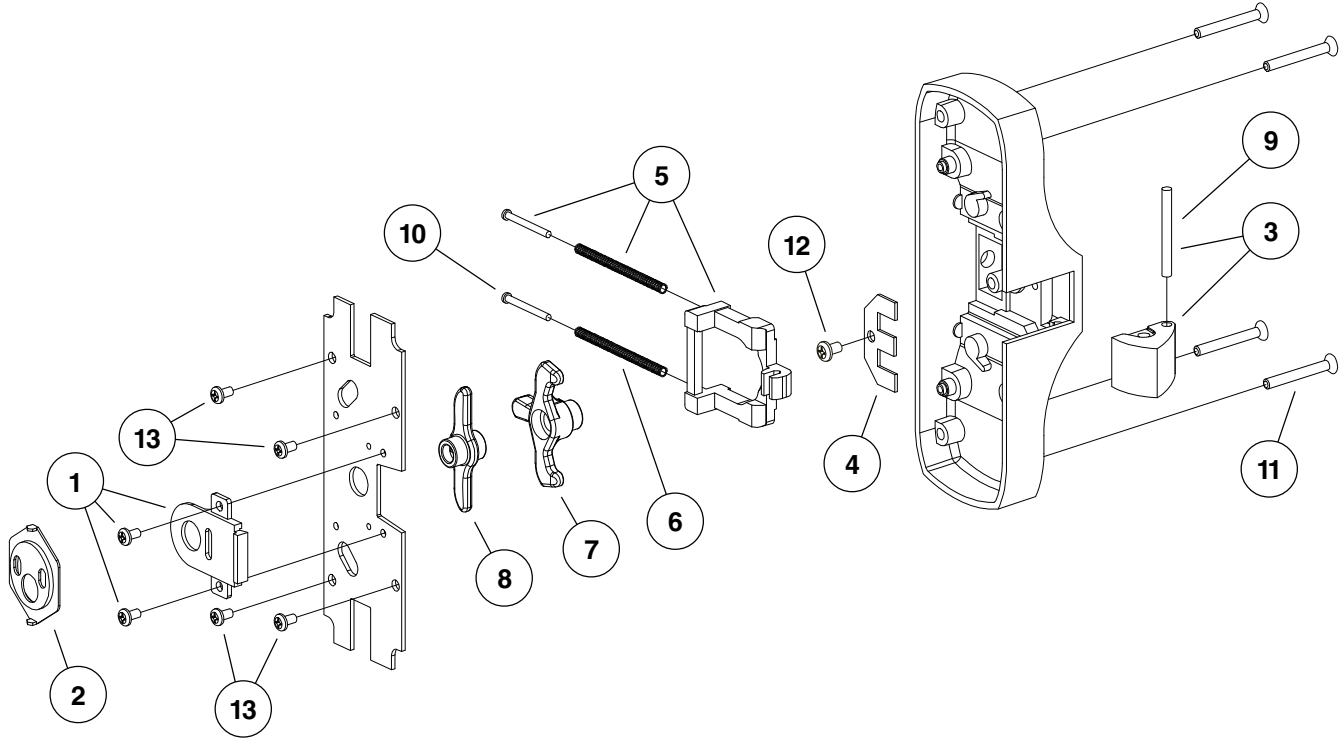


END CASE KIT AND END CASE PARTS

Item No.	Part No.	Description	Quantity	Finish
1	050435	88 R/M/V End Case Kit		X
		88 R/M/V End Case	1	
		10-24 x 1-1/2" OPHMS	4	
		10-24 x 2" OPHMS	4	
		10-12 x 10-24 x 2" OPHCS	4	
2	050437	88-F Rim End Case Kit		X
		88-F End Case	1	
		10-24 x 1-1/2" OPHMS	4	
		10-24 x 2" OPHMS	4	
		10-12 x 10-24 x 2" OPHCS	4	
3	090003	88 End Case Spring Pkg.	2	
3	090080	88 End Case Spring Pkg.	10	
4	050451	88 End Case Spring Stop Kit	1	
5	050452	88-F End Case Spring Stop Kit	1	
6	050476	88/88-F End Case Spring Tube	1	
7	050477	88/88-F Spring Tube Bracket w/Screws Kit		
		88/88-F Spring Tube Bracket	1	
		88/88-F Spring Tube Bracket Screws	2	
8	900503	88 Center or End Case Mtg. Pkg. (CS and MS screws)		X
		10-24 x 1-1/2" OPHMS	4	
		10-24 x 2" OPHMS	4	
		10-12 x 10-24 x 2" OPHCS	4	
8	900504	88 Center or End Case Mtg. Pkg. (CS screws)		X
		10-12 x 10-24 x 2" OPHCS	4	
8	900505	88 Center or End Case Mtg. Pkg. (MS screws 1-3/4" door)		X
		10-24 x 1-1/2" OPHMS	4	
8	900506	88 Center or End Case Mtg. Pkg. (MS screws 2-1/4" door)		X
		10-24 x 2" OPHMS	4	

X in "Finish" column designates finished item; specify finish when ordering.

CENTER CASE PARTS: EO, DT, AND NL PANIC EXIT DEVICES

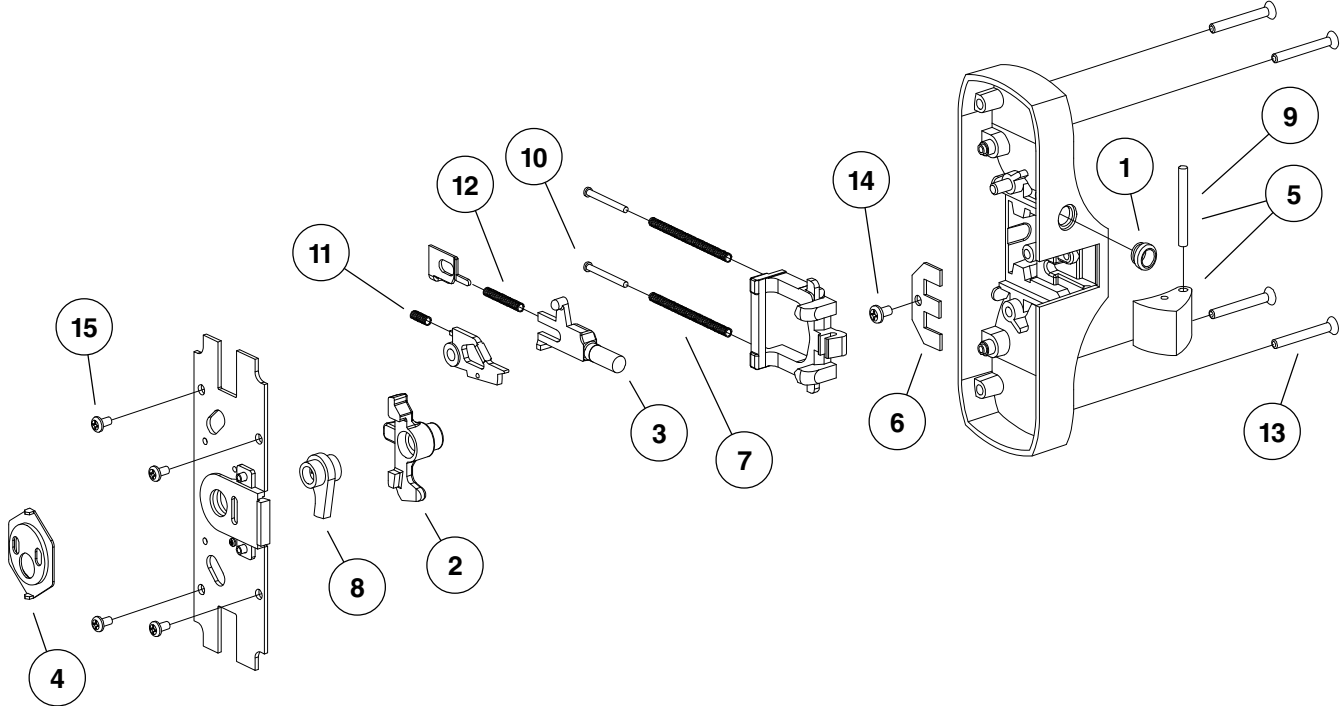


CENTER CASE PARTS: EO, DT, AND NL PANIC EXIT DEVICES

Item No.	Part No.	Description	Quantity	Finish
1	050260	88 Rim Auxiliary Backplate Kit		X
		88 Rim Auxiliary Backplate	1	
		8-32 x 5/16" PPHMS	2	
2	050331	88 Cylinder Anchor Plate	1	
3	050497	88 Latchbolt w/Axle Kit		
		88 Rim Latchbolt	1	
		88 Rim Latchbolt Axle	1	
4	050499	88 Rim Latch Retainer Plate	1	
5	050500	88 Rim Latch Tail, Spring, Rivet Kit		
		88 Rim Latch Tail Rivet	2	
		88 Rim Latch Tail Spring	2	
		88 Rim Latch Tail	1	
6	050393	88 Rim Latch Tail Spring Pkg.	10	
7	050501	88 Rim Master Cam	1	
8	050502	88NL Cylinder Cam	1	
9	090001	88 Rim Latch Bolt Axle Pkg.	4	
10	090002	88 Rim Center Case Rivet Pkg.	10	
11	900503	88 Center or End Case Mtg. Pkg. (CS and MS screws)		X
		10-24 x 1-1/2" OPHMS	4	
		10-24 x 2" OPHMS	4	
		10-12 x 10-24 x 2" OPHCS	4	
11	900504	88 Center or End Case Mtg. Pkg. (CS screws)		X
		10-12 x 10-24 x 2" OPHCS	4	
11	900505	88 Center or End Case Mtg. Pkg. (MS screws 1-3/4" door)		X
		10-24 x 1-1/2" OPHMS	4	
11	900506	88 Center or End Case Mtg. Pkg. (MS screws 2-1/4" door)		X
		10-24 x 2" OPHMS	4	
12	900610	88 Rim Latch Retainer Plate Screw Pkg.		
		10-24 x 5/16" PPHMS Thd. Cut	10	
13	900613	88 Backplate Screw Pkg.		
		8-32 x 3/8" PPH TF	4	

X in "Finish" column designates finished item; specify finish when ordering.

CENTER CASE PARTS: EO AND NL FIRE EXIT DEVICES

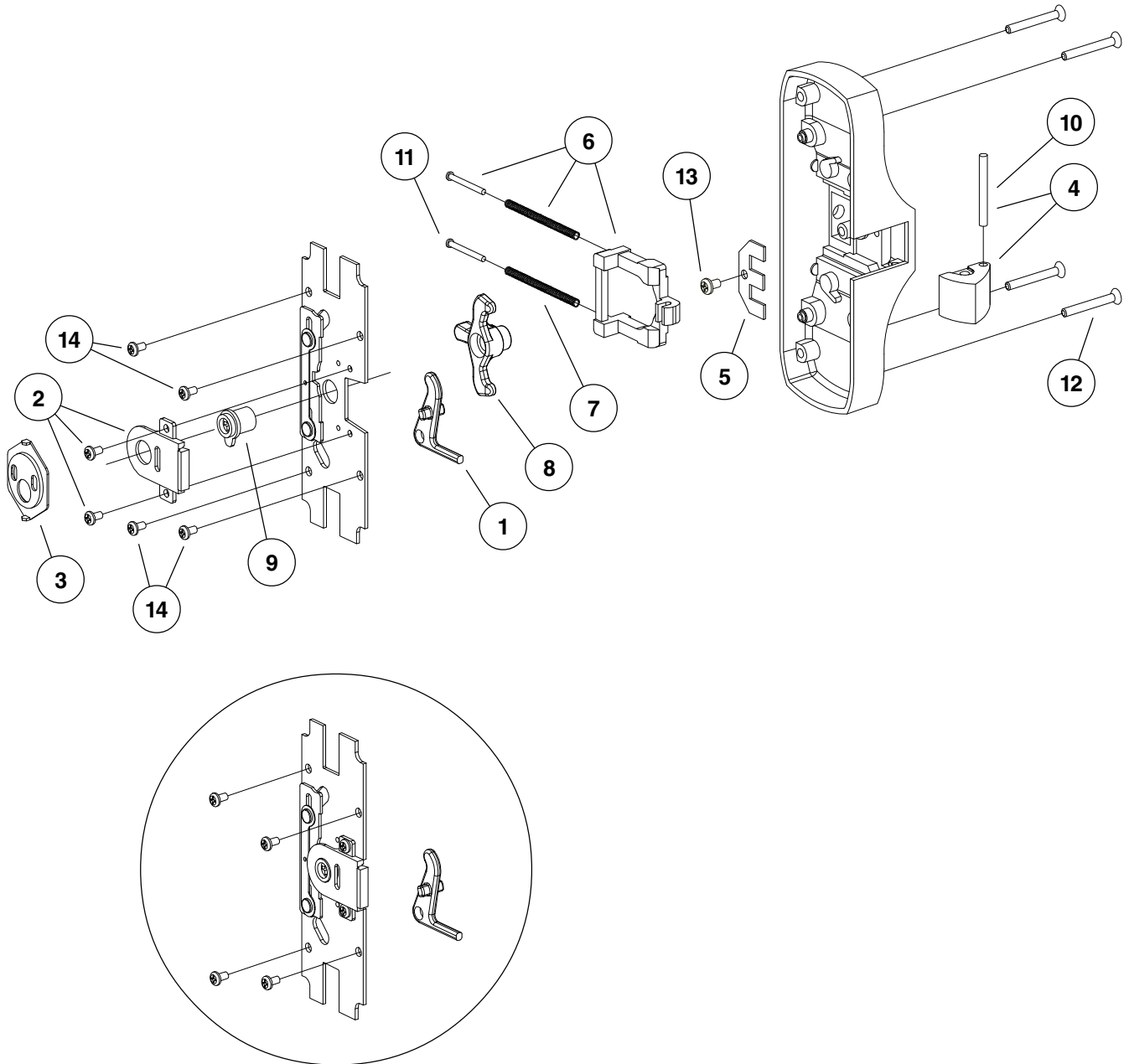


CENTER CASE PARTS: EO AND NL FIRE EXIT DEVICES

Item No.	Part No.	Description	Quantity	Finish
1	050272	88-F Auxiliary Bolt Bushing	1	
2	050274	88-F Master Cam LH (shown)	1	
2	050273	88-F Master Cam RH (not shown)	1	
3	050276	88-F Auxiliary Bolt LH (shown)	1	
3	050275	88-F Auxiliary Bolt RH (not shown)	1	
4	050331	88 Cylinder Anchor Plate	1	
5	050498	88-F Latchbolt w/Axle Kit		
		88-F Rim Latchbolt	1	
		88 Rim Latchbolt Axle	1	
6	050499	88 Rim Latch Retainer Plate	1	
7	050393	88 Rim Latch Tail Spring Pkg.	10	
8	050503	88NL-FCylinder Cam	1	
9	090001	88 Rim Latch Bolt Axle Pkg.	4	
10	090002	88 Rim Center Case Rivet Pkg.	10	
11	090009	88-F Rim Gravity Dog Spring Pkg.	5	
12	090017	88-F Auxiliary Bolt Return Spring Pkg.	5	
13	900503	88 Center or End Case Mtg. Pkg. (CS and MS screws)		X
		10-24 x 1-1/2" OPHMS	4	
		10-24 x 2" OPHMS	4	
		10-12 x 10-24 x 2" OPHCS	4	
13	900504	88 Center or End Case Mtg. Pkg. (CS screws)		X
		10-12 x 10-24 x 2" OPHCS	4	
13	900505	88 Center or End Case Mtg. Pkg. (MS screws 1-3/4" door)		X
		10-24 x 1-1/2" OPHMS	4	
13	900506	88 Center or End Case Mtg. Pkg. (MS screws 2-1/4" door)		X
		10-24 x 2" OPHMS	4	
14	900610	88 Rim Latch Retainer Plate Screw Pkg.		
		10-24 x 5/16" PPHMS Thd. Cut	10	
15	900613	88 Backplate Screw Pkg.		
		8-32 x 3/8" PPH TF	4	

X in "Finish" column designates finished item; specify finish when ordering.

CENTER CASE PARTS: TP PANIC EXIT DEVICES



Part No. 050102, 88CK-TP Conversion Kit;
replaces item No. 1, 88 Thumbpiece Lift Replacement Kit,
for 88TP devices shipped after June 2000

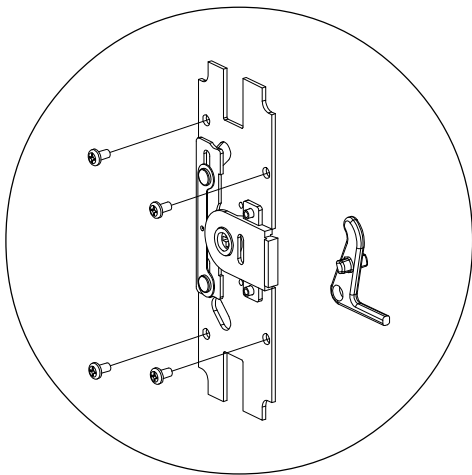
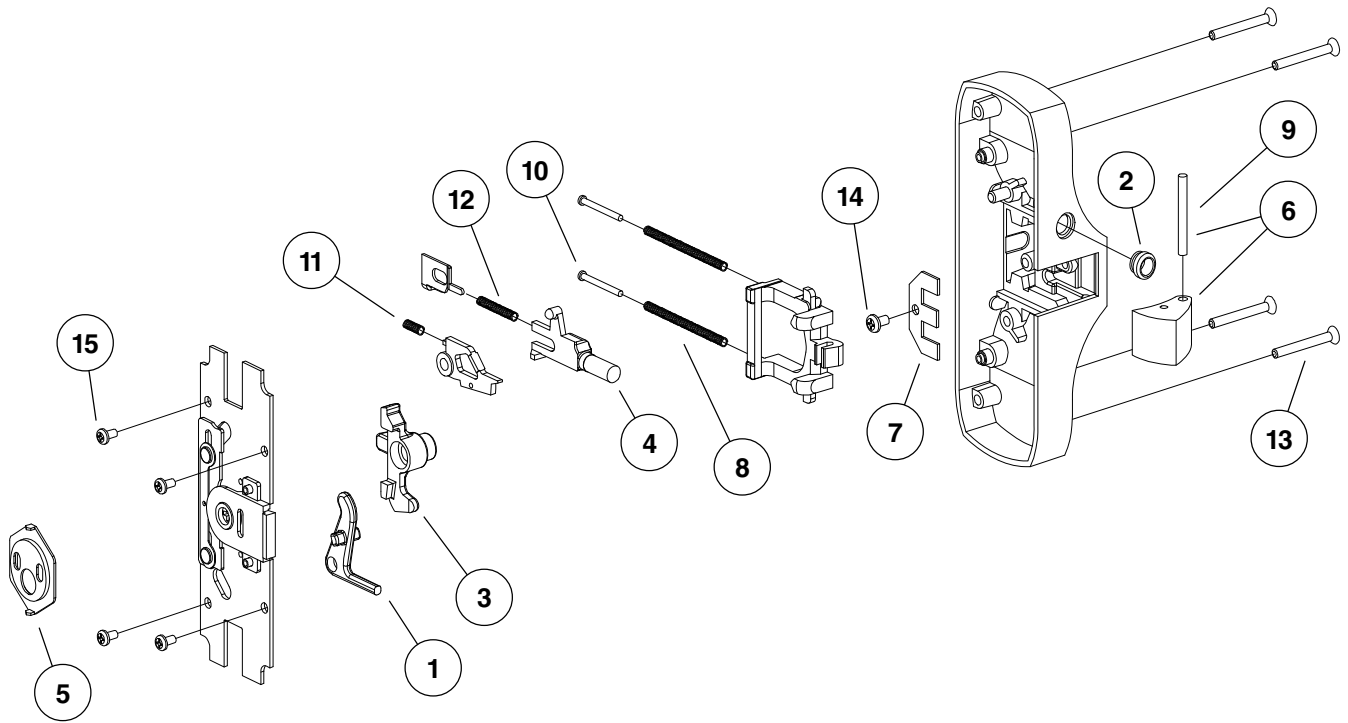
CENTER CASE PARTS: TP PANIC EXIT DEVICES

Item No.	Part No.	Description	Quantity	Finish
1	050019	88 Thumbpiece Lift Replacement Kit *	1	
2	050260	88 Rim Auxiliary Backplate		X
		88 Rim Auxiliary Backplate	1	
		8-32 x 5/16" PPHMS	2	
3	050331	88 Cylinder Anchor Plate	1	
4	050497	88 Latchbolt w/Axle Kit		
		88 Rim Latchbolt	1	
		88 Rim Latchbolt Axle	1	
5	050499	88 Rim Latch Retainer Plate	1	
6	050500	88 Rim Latch Tail, Spring, Rivet Kit		
		88 Rim Latch Tail Rivet	2	
		88 Rim Latch Tail Spring	2	
		88 Rim Latch Tail	1	
7	050393	88 Rim Latch Tail Spring Pkg.	10	
8	050501	88 Rim Master Cam	1	
9	050508	88TP/TP-F Cylinder Cam	1	
10	090001	88 Rim Latch Bolt Axle Pkg.	4	
11	090002	88 Rim Center Case Rivet Pkg.	10	
12	900503	88 Center or End Case Mtg. Pkg. (CS and MS screws)		X
		10-24 x 1-1/2" OPHMS	4	
		10-24 x 2" OPHMS	4	
		10-12 x 10-24 x 2" OPHCS	4	
12	900504	88 Center or End Case Mtg. Pkg. (CS screws)		X
		10-12 x 10-24 x 2" OPHCS	4	
12	900505	88 Center or End Case Mtg. Pkg. (MS screws 1-3/4" door)		X
		10-24 x 1-1/2" OPHMS	4	
12	900506	88 Center or End Case Mtg. Pkg. (MS screws 2-1/4" door)		X
		10-24 x 2" OPHMS	4	
13	900610	88 Rim Latch Retainer Plate Screw Pkg.		
		10-24 x 5/16" PPHMS Thd. Cut	10	
14	900613	88 Backplate Screw Pkg.		
		8-32 x 3/8" PPH TF	4	

X in "Finish" column designates finished item; specify finish when ordering.

* For 88TP devices shipped after June 2000; for devices shipped before June 2000, use replacement part No. 050102.

CENTER CASE PARTS: TP FIRE EXIT DEVICES



Part No. 050107, 88CK-TP-F Conversion Kit;
replaces item No. 1, 88 Thumbpiece Lift Replacement Kit,
for 88TP-F devices shipped after June 2000

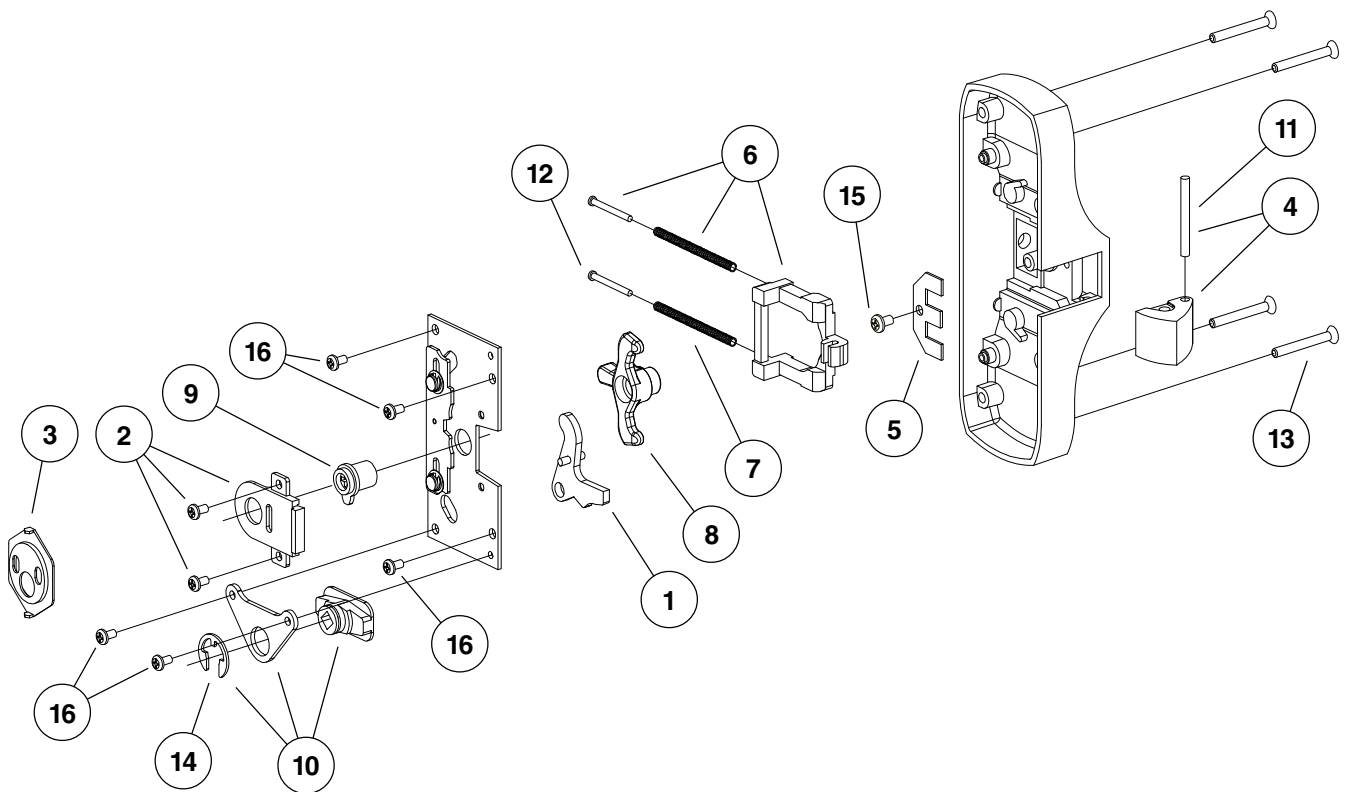
CENTER CASE PARTS: TP FIRE EXIT DEVICES

Item No.	Part No.	Description	Quantity	Finish
1	050019	88 Thumbpiece Lift Replacement Kit *	1	
2	050272	88-F Auxiliary Bolt Bushing	1	
3	050274	88-F Master Cam LH (shown)	1	
3	050273	88-F Master Cam RH (not shown)	1	
4	050276	88-F Auxiliary Bolt LH (shown)	1	
4	050275	88-F Auxiliary Bolt RH (not shown)	1	
5	050331	88 Cylinder Anchor Plate	1	
6	050498	88-F Latchbolt w/Axle Kit		
		88-F Rim Latchbolt	1	
		88 Rim Latchbolt Axle	1	
7	050499	88 Rim Latch Retainer Plate	1	
8	050393	88 Rim Latch Tail Spring Pkg.	10	
9	090001	88 Rim Latch Bolt Axle Pkg.	4	
10	090002	88 Rim Center Case Rivet Pkg.	10	
11	090009	88-F Rim Gravity Dog Spring Pkg.	5	
12	090017	88-F Auxiliary Bolt Return Spring Pkg.	5	
13	900503	88 Center or End Case Mtg. Pkg. (CS and MS screws)		X
		10-24 x 1-1/2" OPHMS	4	
		10-24 x 2" OPHMS	4	
		10-12 x 10-24 x 2" OPHCS	4	
13	900504	88 Center or End Case Mtg. Pkg. (CS screws)		X
		10-12 x 10-24 x 2" OPHCS	4	
13	900505	88 Center or End Case Mtg. Pkg. (MS screws 1-3/4" door)		X
		10-24 x 1-1/2" OPHMS	4	
13	900506	88 Center or End Case Mtg. Pkg. (MS screws 2-1/4" door)		X
		10-24 x 2" OPHMS	4	
14	900610	88 Rim Latch Retainer Plate Screw Pkg.		
		10-24 x 5/16" PPHMS Thd. Cut	10	
15	900613	88 Backplate Screw Pkg.		
		8-32 x 3/8" PPH TF	4	

X in "Finish" column designates finished item; specify finish when ordering.

* For 88TP-F devices shipped after June 2000; for devices shipped before June 2000, use replacement part No. 050107.

CENTER CASE PARTS: K/L PANIC EXIT DEVICES

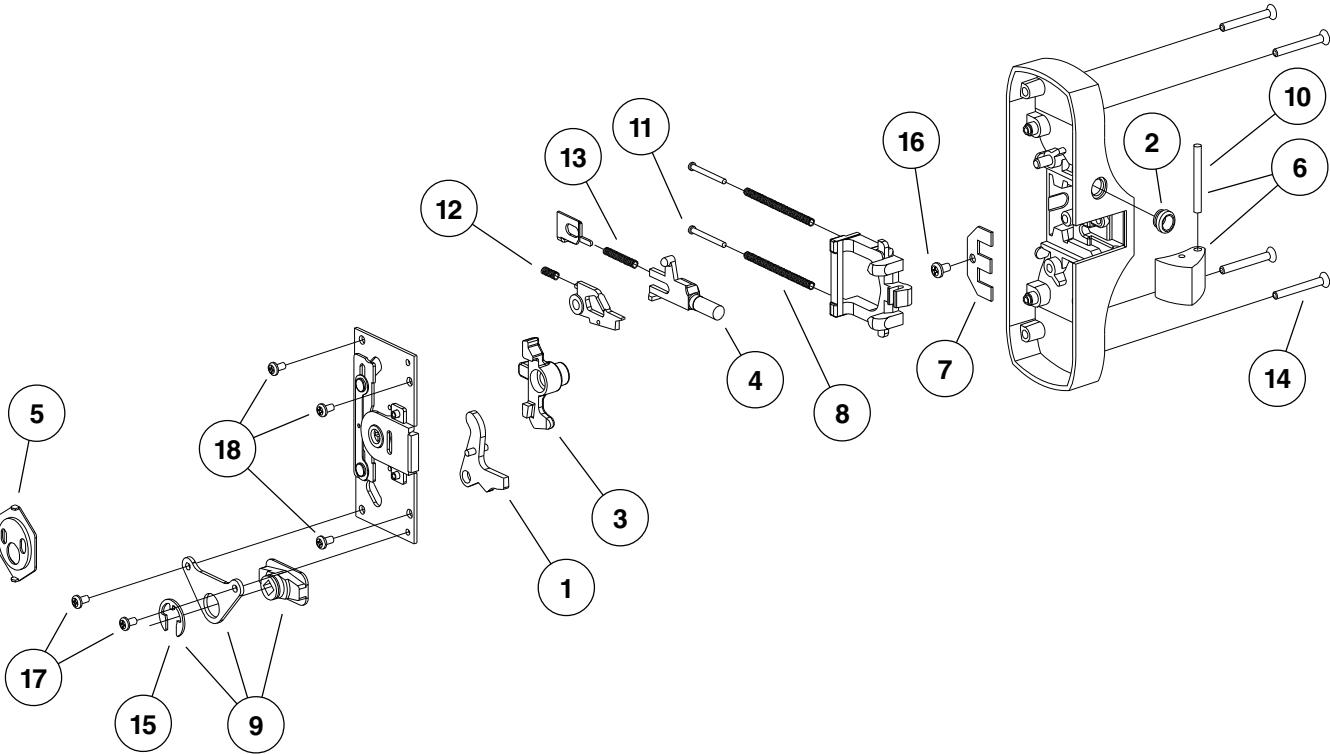


CENTER CASE PARTS: K/L PANIC EXIT DEVICES

Item No.	Part No.	Description	Quantity	Finish
1	050504	88K/L-F Knob Cam Lift	1	
2	050260	88 Rim Auxiliary Backplate		X
		88 Rim Auxiliary Backplate	1	
		8-32 x 5/16" PPHMS	2	
3	050331	88 Cylinder Anchor Plate	1	
4	050497	88 Latchbolt w/Axle Kit		
		88 Rim Latchbolt	1	
		88 Rim Latchbolt Axle	1	
5	050499	88 Rim Latch Retainer Plate	1	
6	050500	88 Rim Latch Tail, Spring, Rivet Kit		
		88 Rim Latch Tail Rivet	2	
		88 Rim Latch Tail Spring	2	
		88 Rim Latch Tail	1	
7	050393	88 Rim Latch Tail Spring Pkg.	10	
8	050501	88 Rim Master Cam	1	
9	050505	88K/L-F Cylinder Cam	1	
10	050506	88K/L-F Knob Cam Bracket Assy.	1	
11	090001	88 Rim Latch Bolt Axle Pkg.	4	
12	090002	88 Rim Center Case Rivet Pkg.	10	
13	900503	88 Center or End Case Mtg. Pkg. (CS and MS screws)		X
		10-24 x 1-1/2" OPHMS	4	
		10-24 x 2" OPHMS	4	
		10-12 x 10-24 x 2" OPHCS	4	
13	900504	88 Center or End Case Mtg. Pkg. (CS screws)		X
		10-12 x 10-24 x 2" OPHCS	4	
13	900505	88 Center or End Case Mtg. Pkg. (MS screws 1-3/4" door)		X
		10-24 x 1-1/2" OPHMS	4	
13	900506	88 Center or End Case Mtg. Pkg. (MS screws 2-1/4" door)		X
		10-24 x 2" OPHMS	4	
14	090015	88K/L-F Retaining Ring Pkg.	10	
15	900610	88 Rim Latch Retainer Plate Screw Pkg.		
		10-24 x 5/16" PPHMS Thd. Cut	10	
16	900613	88 Backplate Screw Pkg.		
		8-32 x 3/8" PPH TF	4	

X in "Finish" column designates finished item; specify finish when ordering.

CENTER CASE PARTS: K/L FIRE EXIT DEVICES



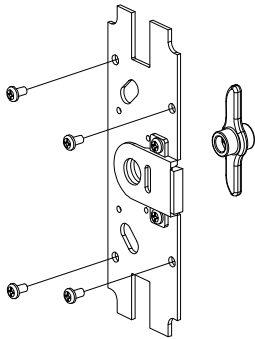
CENTER CASE PARTS: K/L FIRE EXIT DEVICES

Item No.	Part No.	Description	Quantity	Finish
1	050504	88K/L-F Knob Cam Lift	1	
2	050272	88-F Auxiliary Bolt Bushing	1	
3	050274	88-F Master Cam LH (shown)	1	
3	050273	88-F Master Cam RH (not shown)	1	
4	050276	88-F Auxiliary Bolt LH (shown)	1	
4	050275	88-F Auxiliary Bolt RH (not shown)	1	
5	050331	88 Cylinder Anchor Plate	1	
6	050498	88-F Latchbolt w/Axle Kit		
		88-F Rim Latchbolt	1	
		88 Rim Latchbolt Axle	1	
7	050499	88 Rim Latch Retainer Plate	1	
8	050393	88 Rim Latch Tail Spring Pkg.	10	
9	050506	88K/L-F Knob Cam Bracket Assy.	1	
10	090001	88 Rim Latch Bolt Axle Pkg.	4	
11	090002	88 Rim Center Case Rivet Pkg.	10	
12	090009	88-F Rim Gravity Dog Spring Pkg.	5	
13	090017	88-F Auxiliary Bolt Return Spring Pkg.	5	
14	900503	88 Center or End Case Mtg. Pkg. (CS and MS screws)		X
		10-24 x 1-1/2" OPHMS	4	
		10-24 x 2" OPHMS	4	
		10-12 x 10-24 x 2" OPHCS	4	
14	900504	88 Center or End Case Mtg. Pkg. (CS screws)		X
		10-12 x 10-24 x 2" OPHCS	4	
14	900505	88 Center or End Case Mtg. Pkg. (MS screws 1-3/4" door)		X
		10-24 x 1-1/2" OPHMS	4	
14	900506	88 Center or End Case Mtg. Pkg. (MS screws 2-1/4" door)		X
		10-24 x 2" OPHMS	4	
15	090015	88K/L-F Retaining Ring Pkg.	10	
16	900610	88 Rim Latch Retainer Plate Screw Pkg.		
		10-24 x 5/16" PPHMS Thd. Cut	10	
17	900613	88 Backplate Screw Pkg.		
		8-32 x 3/8" PPH TF	4	

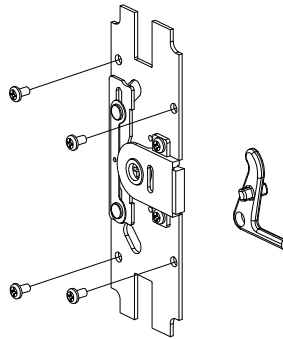
X in "Finish" column designates finished item; specify finish when ordering.

BACKPLATE CONVERSION KITS

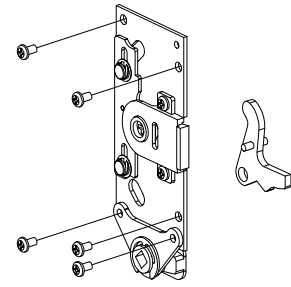
Specify Finish when Ordering Backplate Conversion Kits



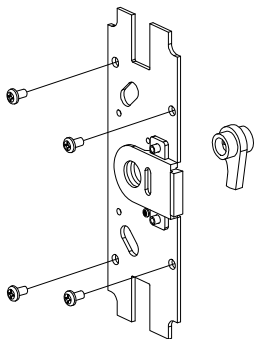
Description: 88CK-NL
Part No. 050101



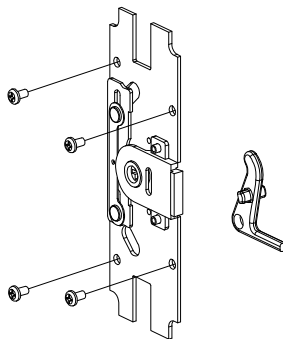
Description: 88CK-TP
Part No. 050102



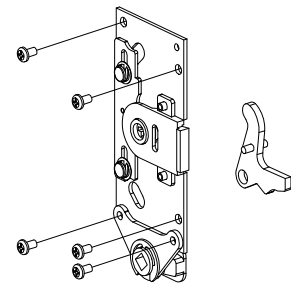
Description: 88CK-K/L
Part No. 050103



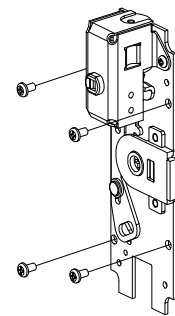
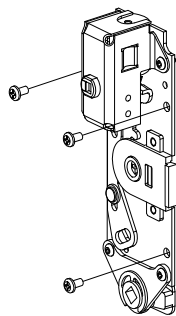
Description: 88CK-NL-F
Part No. 050106



Description: 88CK-TP-F
Part No. 050107



Description: 88CK-K/L-F
Part No. 050108

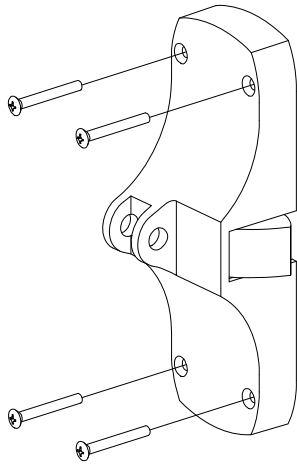


Description	Part No.
E88K RHR FSE 24VDC	050336
E88K LHR FSE 24VDC	050337
E88K RHR FS 24VDC	050338
E88K LHR FS 24VDC	050339
E88K RHR FSE 24VAC	050344
E88K LHR FSE 24VAC	050345
E88K RHR FS 24VAC	050346
E88K LHR FS 24VAC	050347

Description	Part No.
E88TP RHR FSE 24VDC	050341
E88TP LHR FSE 24VDC	050341
E88TP RHR FS 24VDC	050342
E88TP LHR FS 24VDC	050343
E88TP RHR FSE 24VAC	050348
E88TP LHR FSE 24VAC	050349
E88TP RHR FS 24VAC	050350
E88TP LHR FS 24VAC	050351

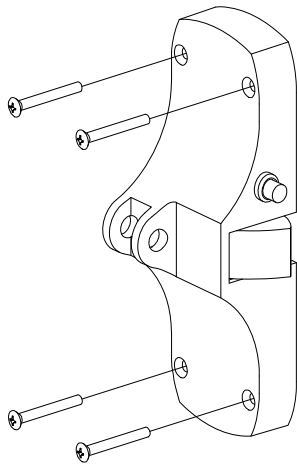
CENTER CASE KITS

Specify Finish when Ordering Center Case Kits



Panic Exit Device Center Case Kit
RHR shown

Description (Panic Exit Devices)	Part No.
88EO/DT/NL - - -	050409
88TP - - -	050410
88K/L RHR - -	050411
88K/L LHR - -	050412
E88K RHR FSE 24VDC	050336
E88K LHR FSE 24VDC	050337
E88K RHR FS 24VDC	050338
E88K LHR FS 24VDC	050339
E88K RHR FSE 24VAC	050344
E88K LHR FSE 24VAC	050345
E88K RHR FS 24VAC	050346
E88K LHR FS 24VAC	050347



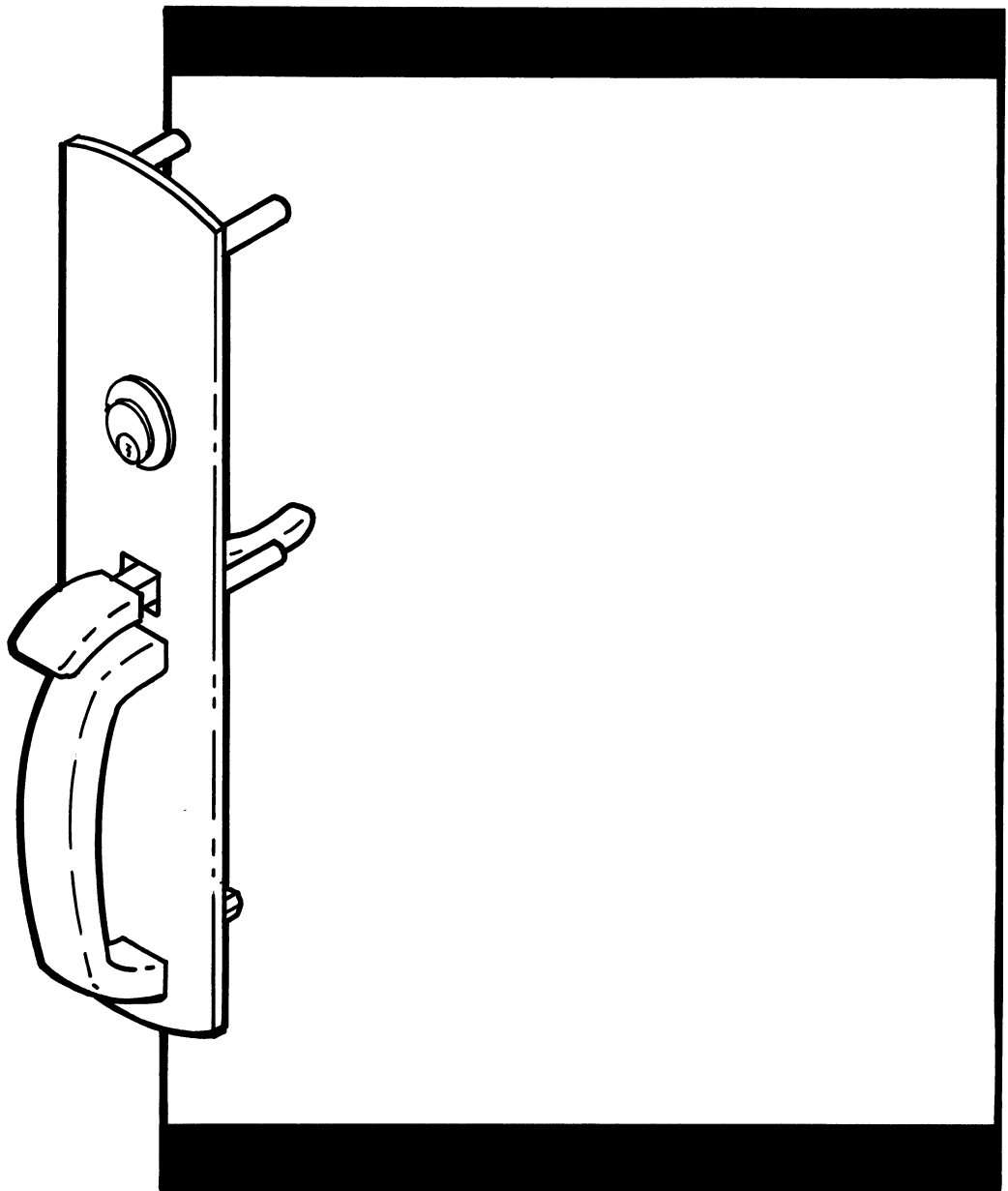
Fire Exit Device Center Case Kit
RHR shown

Description (Fire Exit Devices)	Part No.
88EO-F/NL-F RHR - -	050424
88EO-F/NL-F LHR - -	050425
88TP-F RHR - -	050426
88TP-F LHR - -	050427
88K/L-F RHR - -	050428
88K/L-F LHR - -	05029
E88K-F RHR FSE 24VDC	050311
E88K-F LHR FSE 24VDC	050312
E88K-F RHR FS 24VDC	050313
E88K-F LHR FS 24VDC	050314
E88TP-F RHR FSE 24VDC	050315
E88TP-F LHR FSE 24VDC	050316
E88TP-F RHR FS 24VDC	050317
E88TP-F LHR FS 24VDC	050318
E88K-F RHR FSE 24VAC	050319
E88K-F LHR FSE 24VAC	050320
E88K-F RHR FS 24VAC	050321
E88K-F LHR FS 24VAC	050322
E88TP-F RHR FSE 24VAC	050323
E88TP-F LHR FSE 24VAC	050324
E88TP-F RHR FS 24VAC	050325
E88TP-F LHR FS 24VAC	050326

VON DUPRIN

PARTS MANUAL

880 Series Trim



Index

Device Features	2
Mounting Screw Pkgs.....	2
Parts List—EO & DT	3
Parts List—NL	4
Parts List—K	5
Parts List—K-BE	5
Parts List—K-DT	6
Parts List—K-Rigid	6
Parts List—TP & TP-BE	7

Trim in this Manual:

880 EO Trim
 880 DT Trim
 880 NL Trim
 880 K Trim
 880 K-BE Trim
 880 K-DT Trim
 880 KR Trim
 880 TP Trim
 880 TP-BE Trim

Trim Functions:

EO—Exit Only
 DT—Dummy Trim
 NL—Night Latch
 K—Knob
 KR—Rigid Knob
 TP—Thumbpiece
 BE—Blank Escutcheon

Trim Dimensions:

Trim	Escutcheon Plate Size	Projection
880EO	3" × 14 ³ / ₁₆ " × ³ / ₃₂ "	—
880DT	3" × 14 ³ / ₁₆ " × ³ / ₃₂ "	2"
880NL	3" × 14 ³ / ₁₆ " × ³ / ₃₂ "	2"
880K	3" × 14 ³ / ₁₆ " × ³ / ₃₂ "	2 ³ / ₄ "
880K-BE	3" × 14 ³ / ₁₆ " × ³ / ₃₂ "	2 ³ / ₄ "
880K-DT	3" × 14 ³ / ₁₆ " × ³ / ₃₂ "	2 ³ / ₄ "
880K-Rigid	3" × 14 ³ / ₁₆ " × ³ / ₃₂ "	2 ³ / ₄ "
880TP	3" × 14 ³ / ₁₆ " × ³ / ₃₂ "	2"
880TP-BE	3" × 14 ³ / ₁₆ " × ³ / ₃₂ "	2"

© Copyright 1991, Von Duprin, Inc.

Introduction

This manual contains product specifications, a complete listing of replaceable parts and assemblies, and general maintenance information for the 880 trim series. For your convenience, the parts lists refer directly to the product illustrations. The assemblies are represented by letters and the component parts are represented by numbers. The parts lists also show the quantity of parts or assemblies required for each device.

For the best possible service when ordering replacement parts or assemblies, please provide the following information:

- Part or Assembly number
- Description
- Quantity needed
- Finish desired (if available finished)
- Delivery information

Send orders to:

Von Duprin
 2720 Tobey Drive
 P.O. Box 6023
 Indianapolis, IN 46206
 (317) 613-8944

or contact your local Von Duprin distributor or sales representative.

Trim Finishes:

U.S. Std. Ref.	BHMA Ref.	V. D. Ref.	Description
US3	605	03	Polished Brass—Lacquered
*US10	612	10	Dull Bronze—Lacquered
US10A	—	11	Dull Bronze—No Lacquer
US10B	613	13	Dull Bronze—Oxidized-Oil Rubbed
US26	625	25	Polished Chrome
*US26D	626	26	Dull Chrome
US32	629	31	Polished Stainless Steel
US32D	630	32	Satin Stainless Steel

*Denotes Standard Finishes

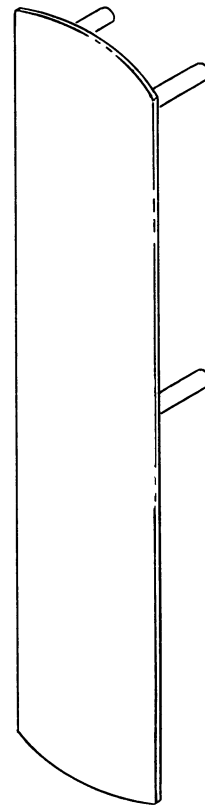
Mounting Screw Packages:

Mtg. Pkg. No.	Part No.	Qty.	Description
900533-10	963000	4	#10-24 × 1 ¹ / ₂ " OPHMS—Bronze
900533-32	963002	4	#10-24 × 1 ¹ / ₂ " OPHMS—St. Steel
900766-10	963136	4	#10-24 × 2" OPHMS—Bronze
900766-32	963137	4	#10-24 × 2" OPHMS—St. Steel
900771-10	963056 963116	1 1	#12 C' Sink Washer—Bronze #12-24 × 1" OPHMS—Bronze
900771-32	963057 963117	1 1	#12 C' Sink Washer—St. Steel #12-24 × 1" OPHMS—St. Steel
900752-10	963056 963016	1 1	#12 C' Sink Washer—Bronze #12-24 × 1 ¹ / ₂ " OPHMS—Bronze
900752-32	963057 963020	1 1	#12 C' Sink Washer—St. Steel #12-24 × 1 ¹ / ₂ " OPHMS—St. Steel

Parts List–880 EO Trim

Item	Qty.	Part No.	Description	
	1	041106	880 EO Trim Assembly–Rim	X
	1	041205	880 EO Trim Assembly–Vertical & Mortise	X
*	2	900533	Trim Mtg. Pkg.–To Mount Device to Trim–1¾" Door	X
*	2	900766	Trim Mtg. Pkg.–To Mount Device to Trim–2¼" Door	X
*	1	900771	Mtg. Screw Pkg.–To Mount Bottom Stud–1¾" Door	X
*	1	900752	Mtg. Screw Pkg.–To Mount Bottom Stud–2¼" Door	X

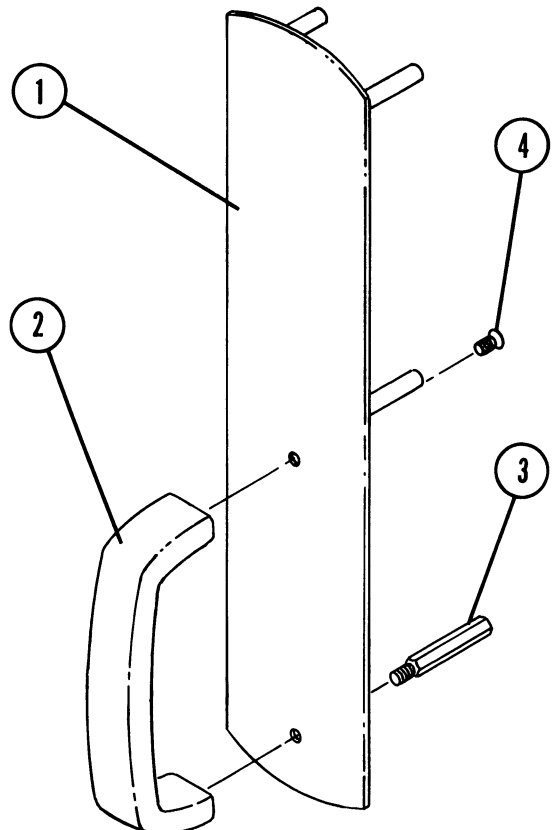
**See Page 2 for Mtg. Screw Pkg. Parts List
X Designates items that are finished*



Parts List–880 DT Trim

Item	Qty.	Part No.	Description	
	1	041103	Trim Assembly–Rim	X
	1	041203	Trim Assembly–Vertical & Mortise	X
1	1	103439	Trim Plate–Rim–Bronze	X
1	1	103441	Trim Plate–Rim–Stainless Steel	X
1	1	103481	Trim Plate–Vertical & Mortise–Bronze	X
2	1	959122	Pull Grip–Bronze	X
3	1	956760	Hex Stud	
4	1	963579	#12-24 x ¾" FPHMS Undercut	
*	2	900533	Trim Mtg. Pkg.–To Mount Device to Trim–1¾" Door	X
*	2	900766	Trim Mtg. Pkg.–To Mount Device to Trim–2¼" Door	X
*	1	900771	Mtg. Screw Pkg.–To Mount Bottom Stud–1¾" Door	X
*	1	900752	Mtg. Screw Pkg.–To Mount Bottom Stud–2¼" Door	X

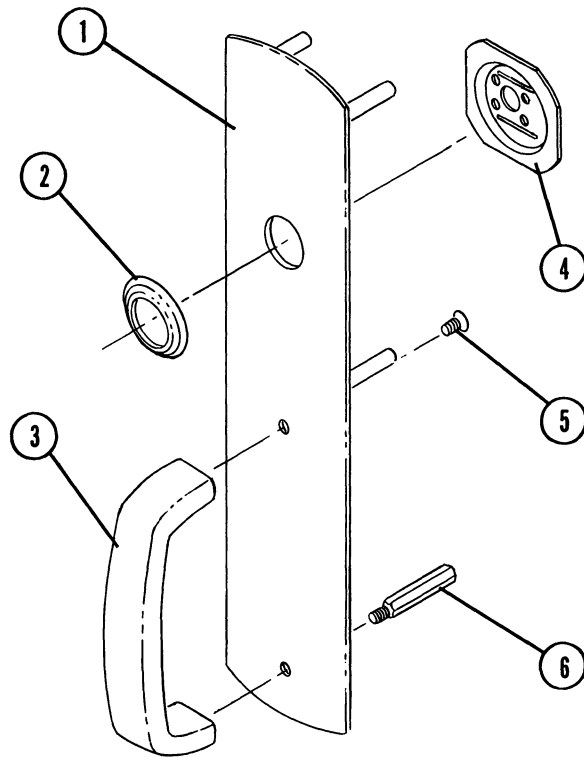
**See Page 2 for Mtg. Screw Pkg. Parts List
X Designates items that are finished*



Parts List-880 NL Trim

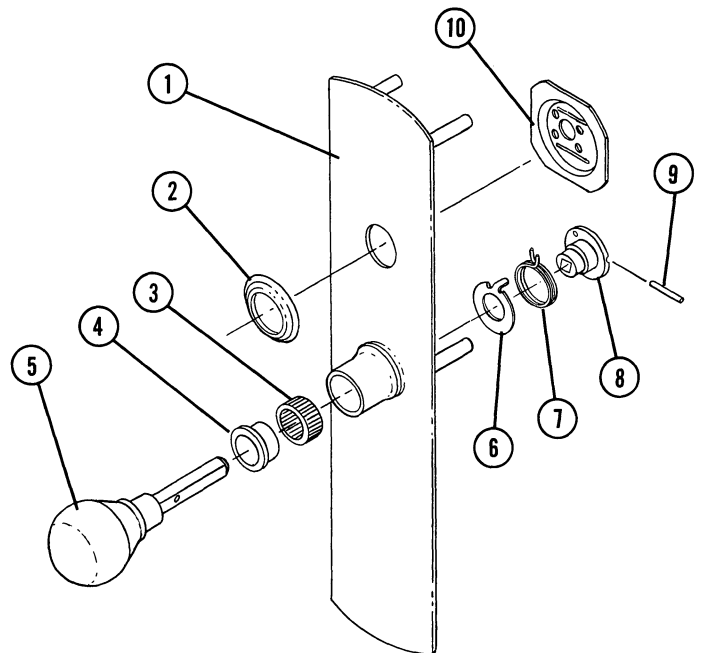
Item	Qty.	Part No.	Description	
	1	041102	Trim Assembly-Rim	X
	1	041202	Trim Assembly-Mortise	X
1	1	103506	Trim Plate-Rim-Bronze	X
1	1	103508	Trim Plate-Rim-Stainless Steel	X
1	1	103509	Trim Plate-Mortise-Bronze	X
2	1	965226	Cylinder Collar-Rim	X
2	1	961267	Cylinder Collar-Mortise	X
3	1	959122	Pull Grip-Bronze	X
4	1	959489	Cylinder Anchor Plate-Rim Only	
5	1	963579	#12-24 x 3/8" FPHMS-Undercut	
6	1	956760	Hex Stud	
*	2	900533	Trim Mtg. Pkg.-To Mount Device to Trim-1 3/4" Door	X
*	2	900766	Trim Mtg. Pkg.-To Mount Device to Trim-2 1/4" Door	X
*	1	900771	Mtg. Screw Pkg.-To Mount Bottom Stud-1 3/4" Door	X
*	1	900752	Mtg. Screw Pkg.-To Mount Bottom Stud-2 1/4" Door	X

*See Page 2 for Mtg. Screw Pkg. Parts List
 X Designates items that are finished



Parts List-880 K Trim

Item	Qty.	Part No.	Description	
	1	041144	880 K Trim Assembly-Rim-Orbit Knob	X
	1	041244	880 K Trim Assembly-Mortise-Orbit Knob	X
	1	041342	880 K Trim Assembly-Vertical-Orbit Knob	X
1	1	110550	Trim Plate Assembly-Rim-Bronze	X
1	1	110551	Trim Plate Assembly-Rim-Stainless Steel	X
1	1	110558	Trim Plate Assembly-Mortise-Bronze	X
1	1	110559	Trim Plate Assembly-Vertical-Bronze	X
2	1	965226	Cylinder Collar-Rim	X
2	1	961267	Cylinder Collar-Vertical & Mortise	X
3	1	964186	Tolerance Ring	
4	1	961989	Flange Bearing P.M.	
5	1	110554	Orbit Knob Assembly	X
6	1	970139	Booster Spacer	
7	1	970138	Torsion Spring	
8	1	970137	Booster Body	
9	1	963196	Roll Pin- $\frac{3}{32}$ " x $\frac{7}{8}$ " Lg.	
10	1	959489	Cylinder Anchor Plate	
*	2	900533	Trim Mtg. Pkg.-To Mount Device to Trim-1 $\frac{3}{4}$ " Door	X
*	2	900766	Trim Mtg. Pkg.-To Mount Device to Trim-2 $\frac{1}{4}$ " Door	X
*	1	900771	Mtg. Screw Pkg.-To Mount Bottom Stud-1 $\frac{3}{4}$ " Door	
*	1	900752	Mtg. Screw Pkg.-To Mount Bottom Stud-2 $\frac{1}{4}$ " Door	



Parts List-880 K-BE Trim

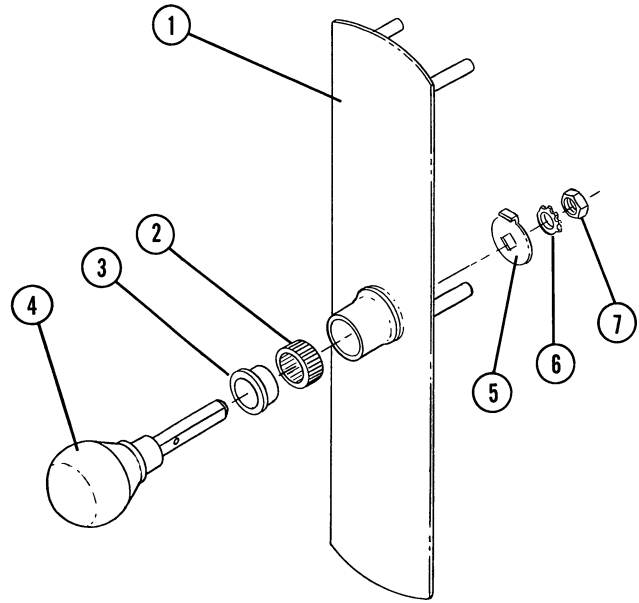
Item	Qty.	Part No.	Description	
	1	041184	880 K-BE Trim Assembly-Rim-Orbit Knob	X
	1	041284	880 K-BE Trim Assy.-Mortise-Orbit Knob	X
	1	041382	880 K-BE Trim Assy.-Vertical-Orbit Knob	X
1	1	110556	Trim Plate Assembly-Rim-Bronze-Orbit	X
1	1	110557	Trim Plate Assy.-Rim-Stainless Steel-Orbit	X
1	1	111528	Trim Plate Assy.-Mortise-Bronze-Orbit	X
1	1	111529	Trim Plate Assy.-Vertical-Bronze-Orbit	X
3	1	964186	Tolerance Ring	
4	1	961989	Flange Bearing P.M.	
5	1	110554	Orbit Knob Assembly	X
6	1	970139	Booster Spacer	
7	1	970138	Torsion Spring	
8	1	970137	Booster Body	
9	1	963196	Roll Pin- $\frac{3}{32}$ " x $\frac{7}{8}$ " Lg.	
*	2	900533	Trim Mtg. Pkg.-To Mount Device to Trim-1 $\frac{3}{4}$ " Door	X
*	2	900766	Trim Mtg. Pkg.-To Mount Device to Trim-2 $\frac{1}{4}$ " Door	X
*	1	900771	Mtg. Screw Pkg.-To Mount Bottom Stud-1 $\frac{3}{4}$ " Door	X
*	1	900752	Mtg. Screw Pkg.-To Mount Bottom Stud-2 $\frac{1}{4}$ " Door	X

*See Page 2 for Mtg. Screw Pkg. Parts List
X Designates items that are finished

Parts List–880 K-DT Trim

Item	Qty.	Part No.	Description
	1	041147	880 K-DT Trim Assembly–Rim–Orbit Knob
	1	041247	880 K-DT Trim Assy.–Mortise–Orbit Knob
	1	041343	880 K-DT Trim Assy.–Vertical–Orbit Knob
1	1	110554	Trim Plate Assy.–Rim–Bronze–Orbit Knob
1	1	110555	Trim Plate Assy.–Rim–St. Stl.–Orbit Knob
1	1	110560	Trim Plate Assy.–Mortise–Brz.–Orbit Knob
1	1	108510	Trim Plate Assy.–Vertical–Brz.–Orbit Knob
2	1	964186	Tolerance Ring
3	1	961989	Flange Bearing P.M.
4	1	110547	Orbit Knob Assembly
5	1	965568	Spindle Lock
6	1	963703	3/8" Ext. Tooth Lockwasher
7	1	963704	3/8"-16 Hex Jam Nut

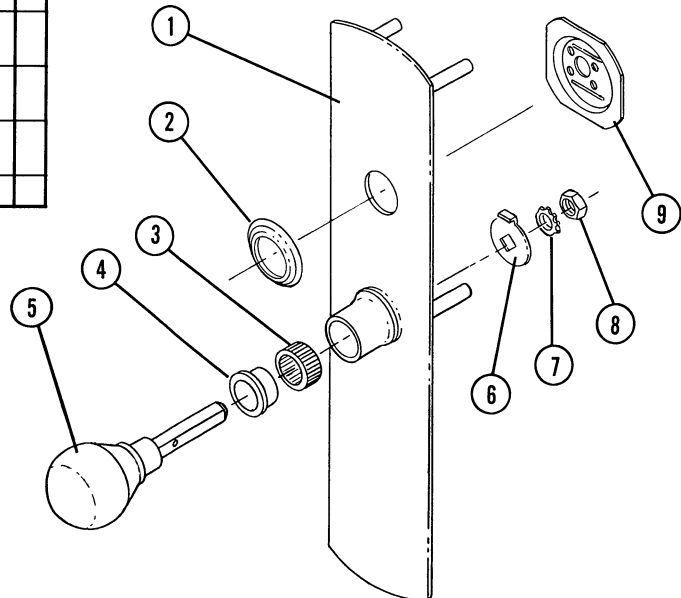
*See Page 2 for Mtg. Screw Pkg. Parts List
 X Designates items that are finished



Parts List–880 K-Rigid–Rim Trim

Item	Qty.	Part No.	Description	
	1	041145	880 K-R Trim Assembly–Orbit Knob	X
1	1	110552	Trim Plate Assy.–Bronze–Orbit Knob	X
1	1	110553	Trim Plate Assy.–Stainless Steel–Orbit Knob	X
2	1	965226	Cylinder Collar	
3	1	964186	Tolerance Ring	
4	1	961989	Flange Bearing P.M.	
5	1	110547	Orbit Knob Assembly	
6	1	965568	Spindle Lock	
7	1	963703	3/8" Ext. Tooth Lockwasher	
8	1	963704	3/8"-16 Hex Jam Nut	
9	1	959489	Cylinder Anchor	
*	2	900533	Trim Mtg. Pkg.–To Mount Device to Trim–1 3/4" Door	
*	2	900766	Trim Mtg. Pkg.–To Mount Device to Trim–2 1/4" Door	
*	1	900771	Mtg. Screw Pkg.–To Mount Bottom Stud–1 3/4" Door	
*	1	900752	Mtg. Screw Pkg.–To Mount Bottom Stud–2 1/4" Door	

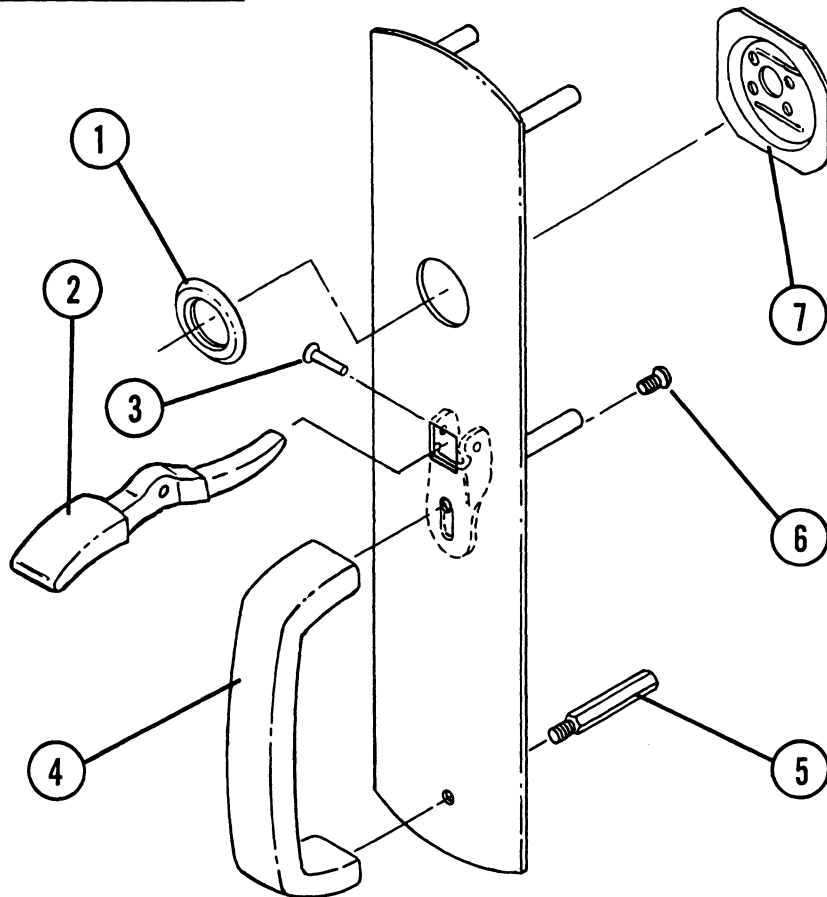
*See Page 2 for Mtg. Screw Pkg. Parts List
 X Designates items that are finished



Parts List–880 TP & TP-BE Trim

Item	Qty.	Part No.	Description
	1	041101	TP Trim Assembly–Rim
	1	041201	TP Trim Assembly–Mortise
	1	041301	TP Trim Assembly–Vertical
	1	041141	TP Trim Assembly–Rim
	1	041341	TP Trim Assembly–Vertical & Mortise
1	1	965226	Cylinder Collar–Rim–(TP Only)
2	1	970488	Thumbpiece–Rim & Vertical–Bronze
2	1	959575	Thumbpiece–Mortise
3	1	959603	Thumbpiece Axle
4	1	959122	Pull Grip–Bronze
5	1	956760	Hex Stud
6	1	965237	Thumbpiece Bracket Screw
7	1	959489	Cylinder Anchor Plate–Rim (TP Only)
*	2	900533	Trim Mtg. Pkg.–To Mount Device to Trim–1¾" Door
*	2	900766	Trim Mtg. Pkg.–To Mount Device to Trim–2¼" Door
*	1	900771	Mtg. Screw Pkg.–To Mount Bottom Stud–1¾" Door
*	1	900752	Mtg. Screw Pkg.–To Mount Bottom Stud–2¼" Door

*See Page 2 for Mtg. Screw Pkg. Parts List
 X Designates Items that are finished



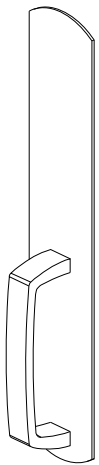
Von Duprin, Inc.
2720 Tobey Drive
Indianapolis, IN 46219
(317) 613-8944

VON DUPRIN®

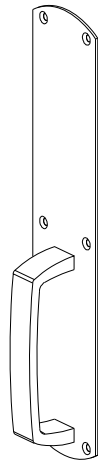
PARTS MANUAL

JULY 2009

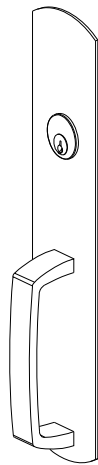
880, 606, 608, AND 609 SERIES TRIM



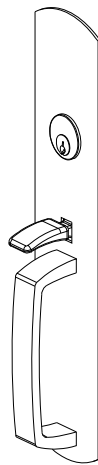
880DT



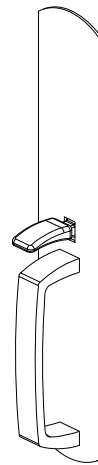
880DT-SA



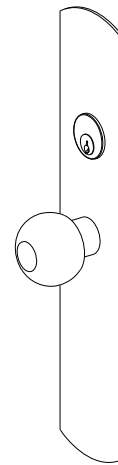
880NL



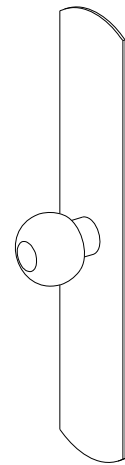
880TP



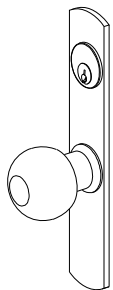
880TP-BE



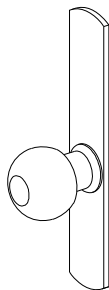
880K
880K-RIGID



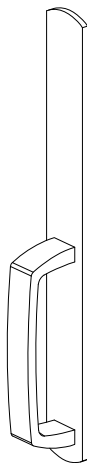
880K-BE
880K-DT



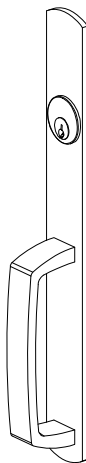
606K
606K-RIGID



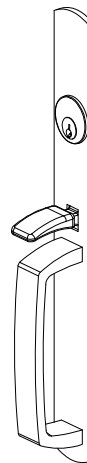
606K-BE
606K-DT



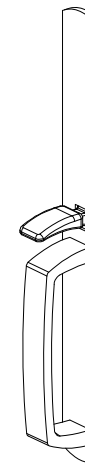
608DT



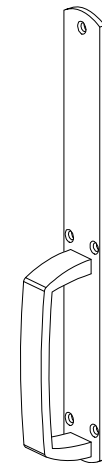
608NL



608TP



608TP-BE



609DT-SA

INDEX

General Information

Introduction	2
How to Order	2
Part Number Changes	2
Finishes	3

880, 606, 608, and 609 Series Trim Parts

Screw Packages	3
880DT	4
880DT-SA	4
880NL	4
880TP	4
880TP-BE	4
880K	5
880K-BE	5
880K-DT	5
880K-RIGID	5
606K	6
606K-BE	6
606K-DT	6
606K-RIGID	6
608TP	7
608TP-BE	7
608DT	7
608NL	7
609DT-SA	8

INTRODUCTION

This manual contains a listing of replaceable parts and assemblies for the 880 Series Trim.

HOW TO ORDER

Some parts are sold separately. Other items are available as part of a kit or multiple quantity package. For the best possible service when ordering replacement parts or assemblies, please provide the following information:

- Part number or assembly number
- Description
- Quantity needed
- Finish desired (if available finished)
- Date of original purchase (if known)

To find out the name of your local Von Duprin distributor or sales representative, contact:

Von Duprin Division
Ingersoll-Rand Company
2720 Tobey Drive
Indianapolis, Indiana 46219
Phone: (800) 999-0408
Fax: (800) 999-0328

PART NUMBER CHANGES

This manual reflects the product as sold in July 2009. Because of changes to the product and/or manufacturing process, part numbers can change.

FINISHES

US Number	BHMA Number	Color
US3	605	Brass, polished (laquered)
US10	612	Bronze, dull (laquered)
US10A	—	Bronze, dull (no laquer)
US10B	613	Brass, dull (oxidized, oil rubbed)
US26	625	Chrome, polished
US26D	626	Chrome, dull
US32	629	Stainless steel, polished
US32D	630	Stainless steel, satin

SCREW PACKAGES

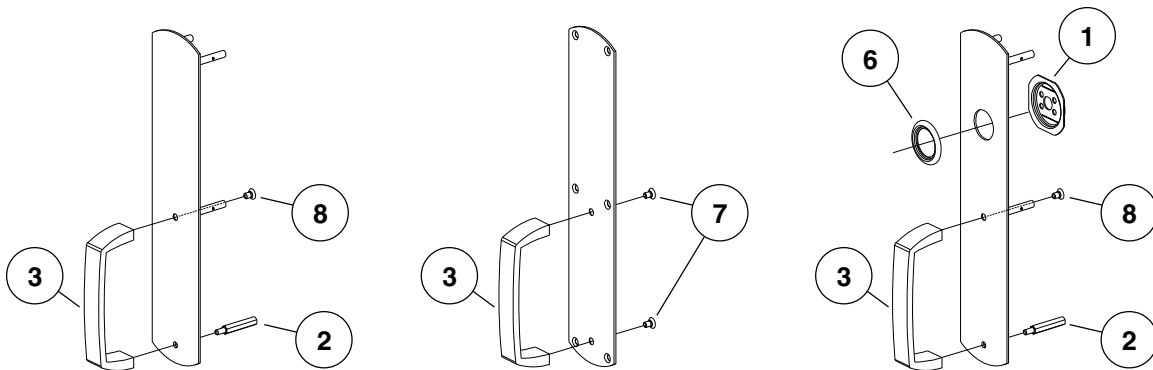
Part No.	Description	Quantity	Finish
900531	880 Screw Pkg. 2-1/4" Door		X
	10-24 x 2-1/2" OPHMS	8	
900533	880 Screw Pkg. 1-3/4" Door		X
	10-24 x 1-1/2" OPHMS	8	
900542	880 V Screw Pkg.		
	10-24 x 3/4" PPHMS	8	
900771	880 Bottom Screw Pkg.		X
	#12 Countersink Washer	1	
	12-24 x 1" OPHMS	1	
900783	880DT-V SA Screw Pkg.		X
	10-24 x 1/2" OPHMS	6	
900772	606DT/NL/TP Screw Pkg.		X
	#12 Countersink Washer	1	
	12-24 x 1-5/8" OPHMS	1	
900782	606K/K-DT Screw Pkg.		X
	#12 Countersink Washer	1	
	12-24 x 1-1/2" FPHMS	2	
	12-24 x 1-5/8" OPHMS	1	
900776	608 Screw Pkg.		X
	#12 Countersink Washer	2	
	12-24 x 1-1/2" FPHMS	2	
	12-24 x 1-5/8" OPHMS	2	

X in "Finish" column designates finished item; specify finish when ordering.

880DT, 880DT-SA, 880NL, 880TP, 880TP-BE PARTS

Item No.	Part No.	Description	Quantity	Finish
1	032114	216D Cylinder Anchor Plate	1	
2	956760	880 Series Hex Stud	1	
3	972466	880 Pull Grip (US26D)	1	X
3	972467	880 Pull Grip (all other finishes)	1	X
4	959575	880-M/V Thumbpiece	1	X
4	970488	608/880TP-R Thumbpiece	1	X
5	959603	880 Thumbpiece Axle	1	
6	961267	880-M Cylinder Collar	1	X
6	965226	880-R Cylinder Collar	1	X
7	963011	880DT-V-SA 12-24 x 1/2" UFPHMS	1	
8	963579	880NL/DT 12-24 x 3/8" UFPHMS	1	
9	965237	880TP Bracket Screw	1	
10	969353	880TP Thumbpiece Bracket	1	

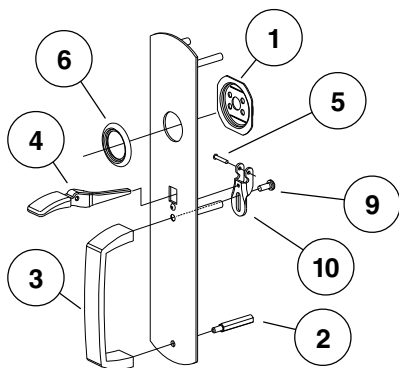
X in "Finish" column designates finished item; specify finish when ordering.



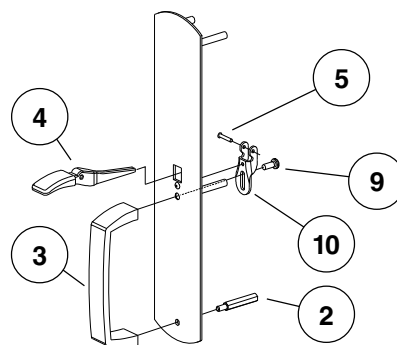
880DT

880DT-SA

880NL



880TP

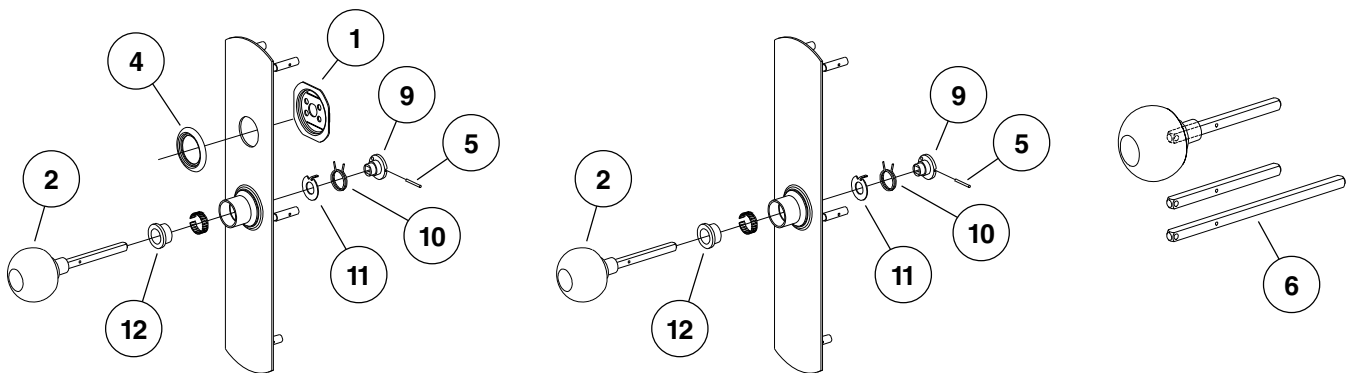


880TP-BE

880K, 880K-BE, 880K-DT, 880K-RIGID PARTS

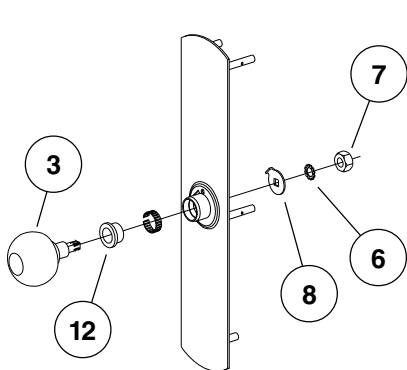
Item No.	Part No.	Description	Quantity	Finish
1	032114	216D Cylinder Anchor Plate	1	
2	110544	880K Orbit Knob Assembly	1	X
3	110547	880K Orbit Knob Assembly (DT)	1	X
4	961267	880-M Cylinder Collar	1	X
4	965226	880-R Cylinder Collar	1	X
5	963196	606K/880K Roll Pin (3/32" x 7/8")	1	
6	963703	606K/880K 3/8" Lockwasher	1	
7	963704	606K/880K-DT/K-NL Hex Nut	1	
8	965568	606/880 DT Spindle Lock	1	
9	970137	880K Booster Body	1	
10	970138	880K Booster Torsion Spring	1	
11	970139	880K Booster Spacer	1	
12	970159	880K Flange Bearing	1	
13	968883	Extended Spindle - 880K	1	

X in "Finish" column designates finished item; specify finish when ordering.

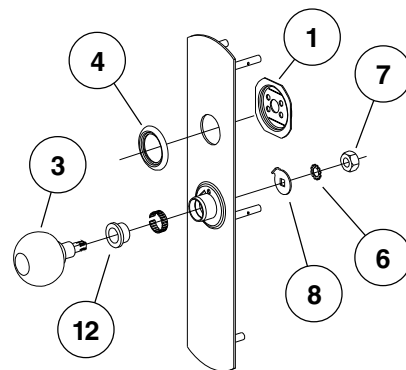


880K

880K-BE



880K-DT

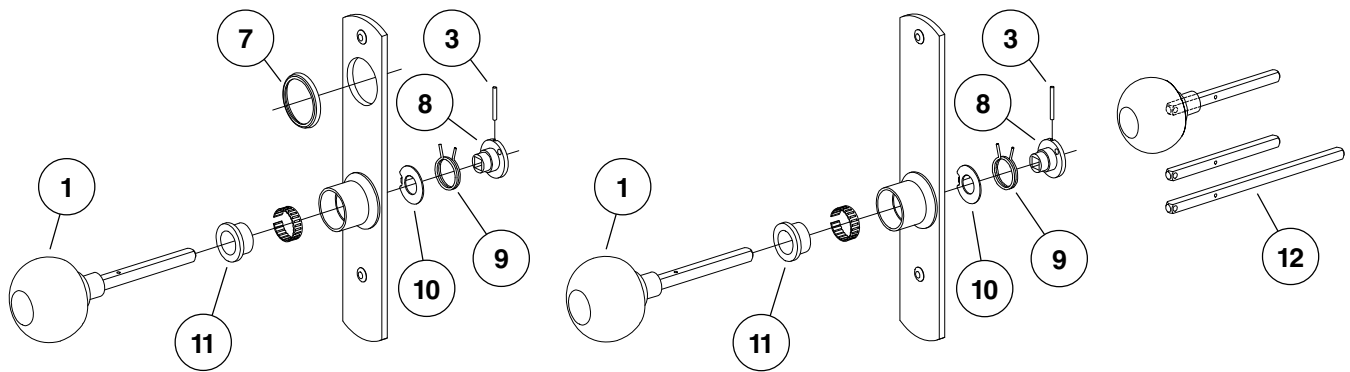


880K-RIGID

606K, 606K-BE, 606K-DT, 606K-RIGID PARTS

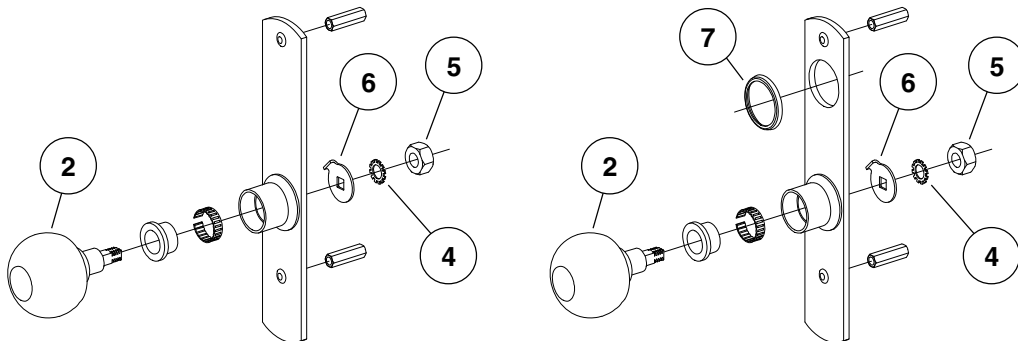
Item No.	Part No.	Description	Quantity	Finish
1	110544	880K Orbit Knob Assembly	1	X
2	110547	880K Orbit Knob Assembly (DT)	1	X
3	963196	606K/880K Roll Pin (3/32" x 7/8")	1	
4	963703	606K/880K 3/8" Lockwasher	1	
5	963704	606K/880K-DT/K-NL Hex Nut	1	
6	965568	606/880 DT Spindle Lock	1	
7	961267	880-M Cylinder Collar	1	X
8	970137	880K Booster Body	1	
9	970138	880K Booster Torsion Spring	1	
10	970139	880K Booster Spacer	1	
11	970159	880K Flange Bearing	1	
12	968883	Extended Spindle - 880K	1	

X in "Finish" column designates finished item; specify finish when ordering.



606K

606K-BE



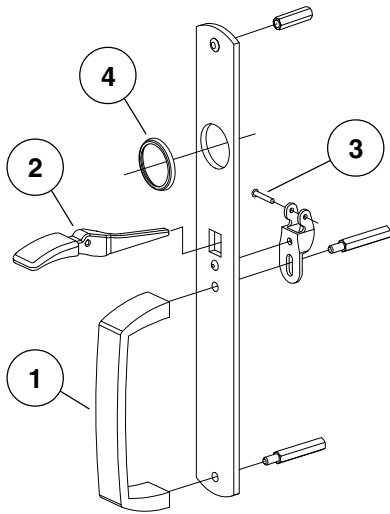
606K-DT

606K-RIGID

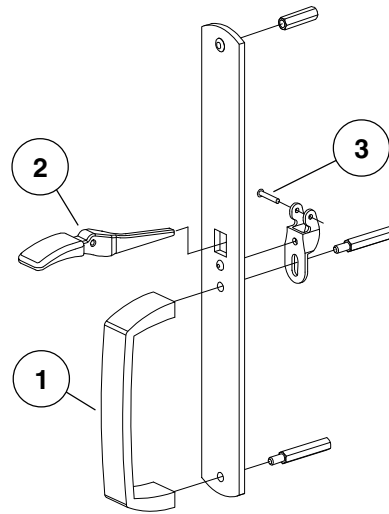
608TP, 608TP-BE, 608DT, 608NL PARTS

Item No.	Part No.	Description	Quantity	Finish
1	972466	Pull Grip (US26D)	1	X
1	972467	Pull Grip (all other finishes)	1	X
2	959575	880-M/V Thumbpiece	1	X
2	970488	608/880TP-R Thumbpiece	1	X
3	959603	880 Thumbpiece Axle	1	
4	961267	880-M Cylinder Collar	1	X

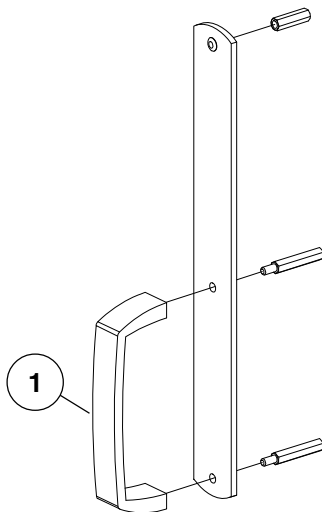
X in "Finish" column designates finished item; specify finish when ordering.



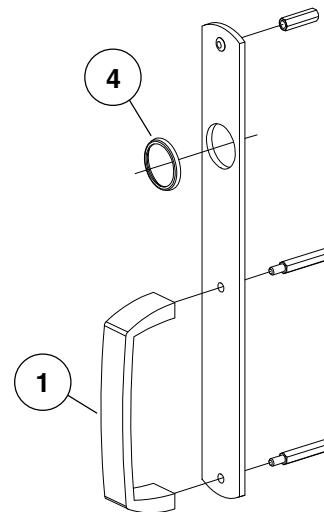
608TP



608TP-BE



608DT

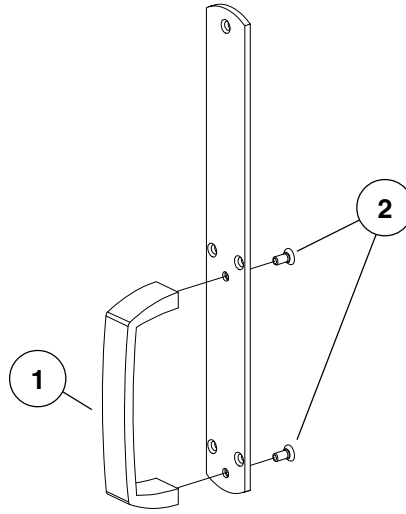


608NL

609DT-SA PARTS

Item No.	Part No.	Description	Quantity	Finish
1	972466	Pull Grip (US26D)	1	X
1	972467	Pull Grip (all other finishes)	1	X
2	963011	880DT-V-SA 12-24 x 1/2" UFPHMS	1	

X in "Finish" column designates finished item; specify finish when ordering.



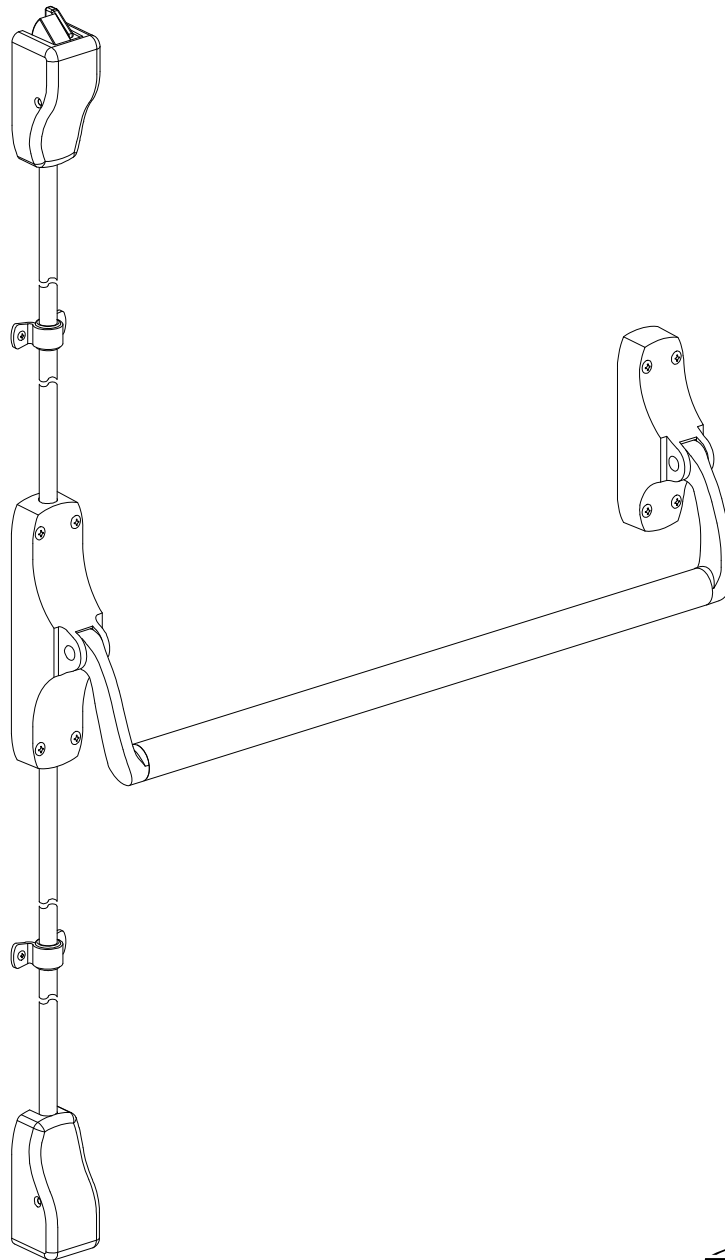
609DT-SA

VON DUPRIN®

PARTS MANUAL

JULY 2009

8827 SURFACE VERTICAL ROD SERIES EXIT DEVICES



PM8827_A
VD-5556

IR Ingersoll Rand
Security Technologies

Copyright © 2009 Ingersoll-Rand. All rights reserved.

INDEX

General Information

Introduction	2
How to Order	2
Part Number Changes	2
8827 Series Finishes	3
Outside Trim Functions	3
Strikes	3

8827 Series Device Parts

Crossbars	4
Lever Arm Kits	5
Lever Arm Parts Packages	6
End Case Kit and End Case Parts	8
Backplate Conversion Kits	10
Center Case Parts: EO/EO-F, DT, TL/TL-F Exit Devices	10
Center Case Parts: K/K-F, K-NL/K-NL-F, L/L-F Exit Devices	11
Center Case Parts: TP/TP-F, TP-NL/TP-NL-F Exit Devices	12
Center Case Mounting Packages and Cylinder Anchor Plate	13
Center Case Kits	13
Latch Parts and Screw Packages	14
Latch Kits and Latch Cover Kits	15
Vertical Rods	16

INTRODUCTION

This manual contains a listing of replaceable parts and assemblies for the 8827 Series Panic and FEH Devices.

HOW TO ORDER

Some parts are sold separately. Other items are available as part of a kit or multiple quantity package. For the best possible service when ordering replacement parts or assemblies, please provide the following information:

- Part number or assembly number
- Description
- Quantity needed
- Finish desired (if available finished)
- Date of original purchase (if known)

To find out the name of your local Von Duprin distributor or sales representative, contact:

Von Duprin Division
Ingersoll-Rand Company
2720 Tobey Drive
Indianapolis, Indiana 46219
Phone: (800) 999-0408
Fax: (800) 999-0328

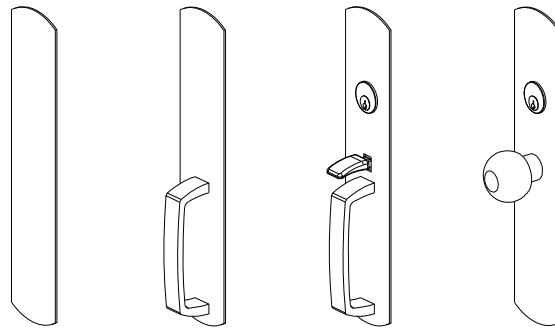
PART NUMBER CHANGES

This manual reflects the product as sold in July 2009. Because of changes to the product and/or manufacturing process, part numbers can change.

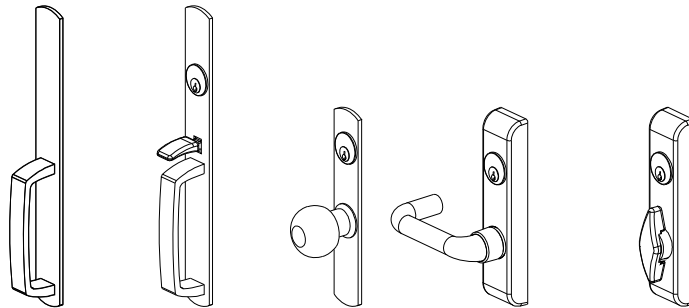
8827 SERIES FINISHES

US Number	BHMA Number	Color
US3	605	Brass, polished
US4	606	Brass, dull
US10	612	Bronze, dull
US10B	613	Brass, dull (oxidized)
US26	625	Chrome, polished
US26D	626	Chrome, dull
SPBLK	693	Gloss black powder

OUTSIDE TRIM FUNCTIONS

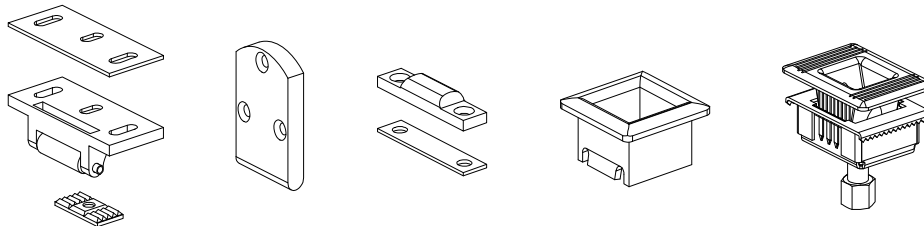


880EO 880DT 880TP 880K



608DT 608TP 606K 373L 377T

STRIKES

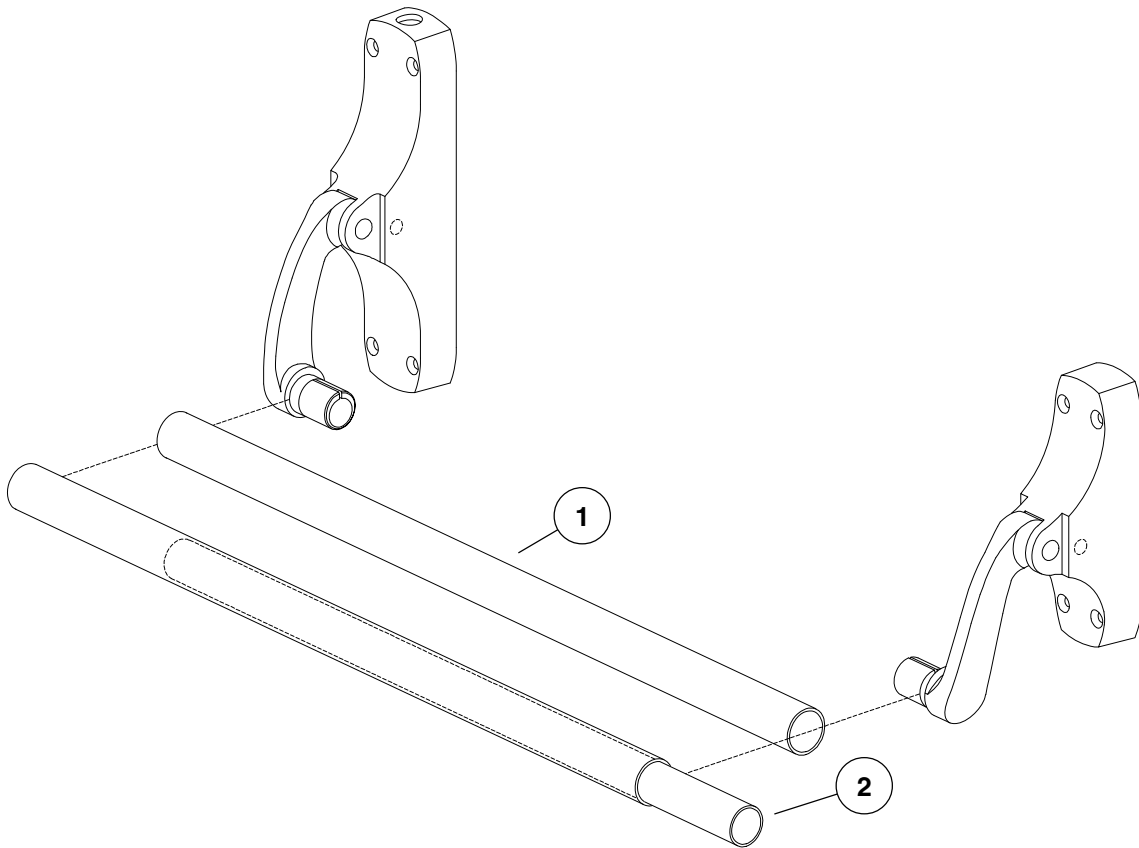


299 (top) 260U (top) 248L-4 (bottom) 304L (bottom) 385A (bottom)

CROSSBARS

Item No.	Part No.	Description	Quantity	Finish
1	050004	42" Standard Crossbar Kit	1	X
1	050005	42" Knurled Crossbar Kit	1	X
2	050459	37" Crossbar Reinforcement Kit	1	

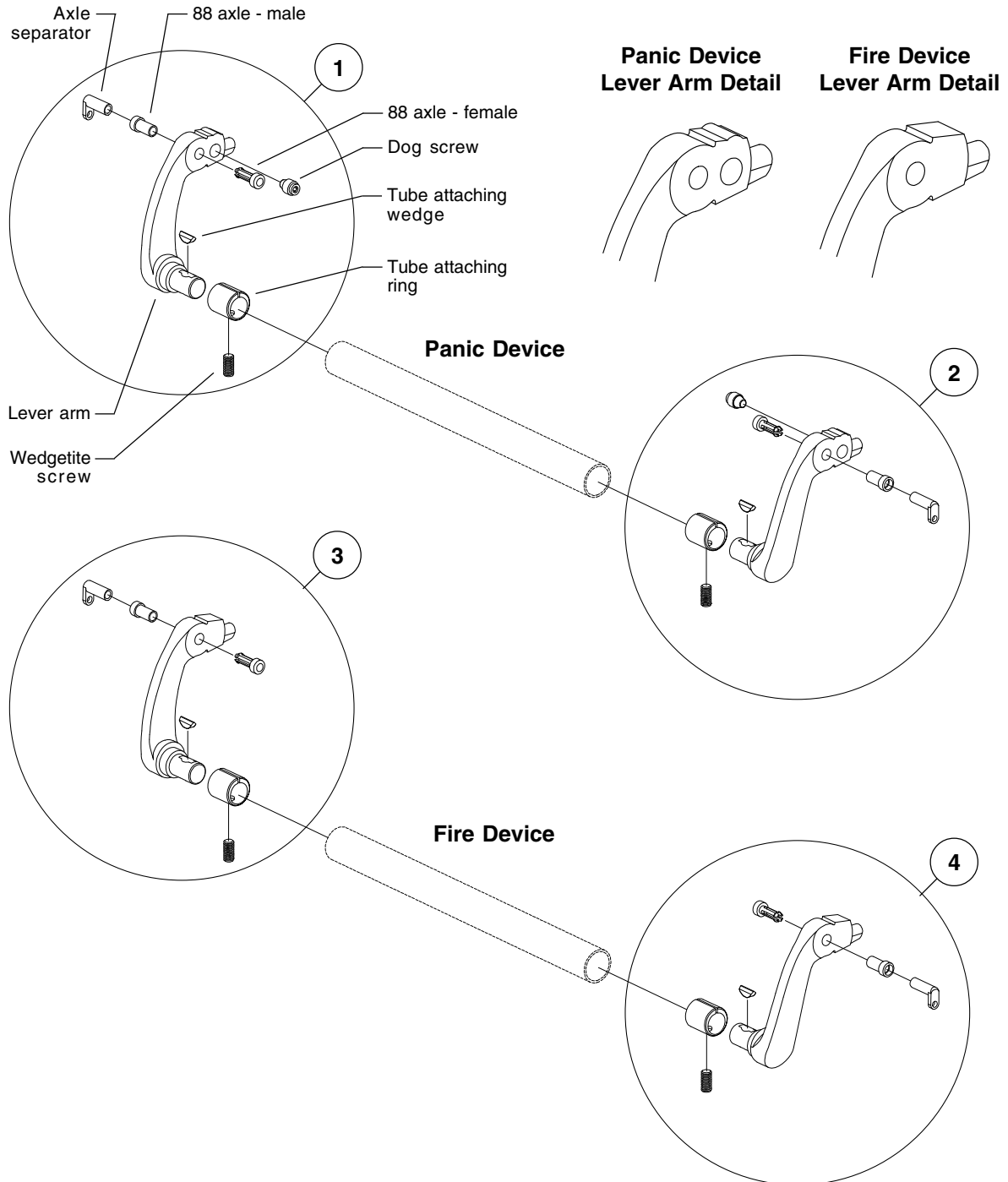
X in "Finish" column designates finished item; specify finish when ordering.



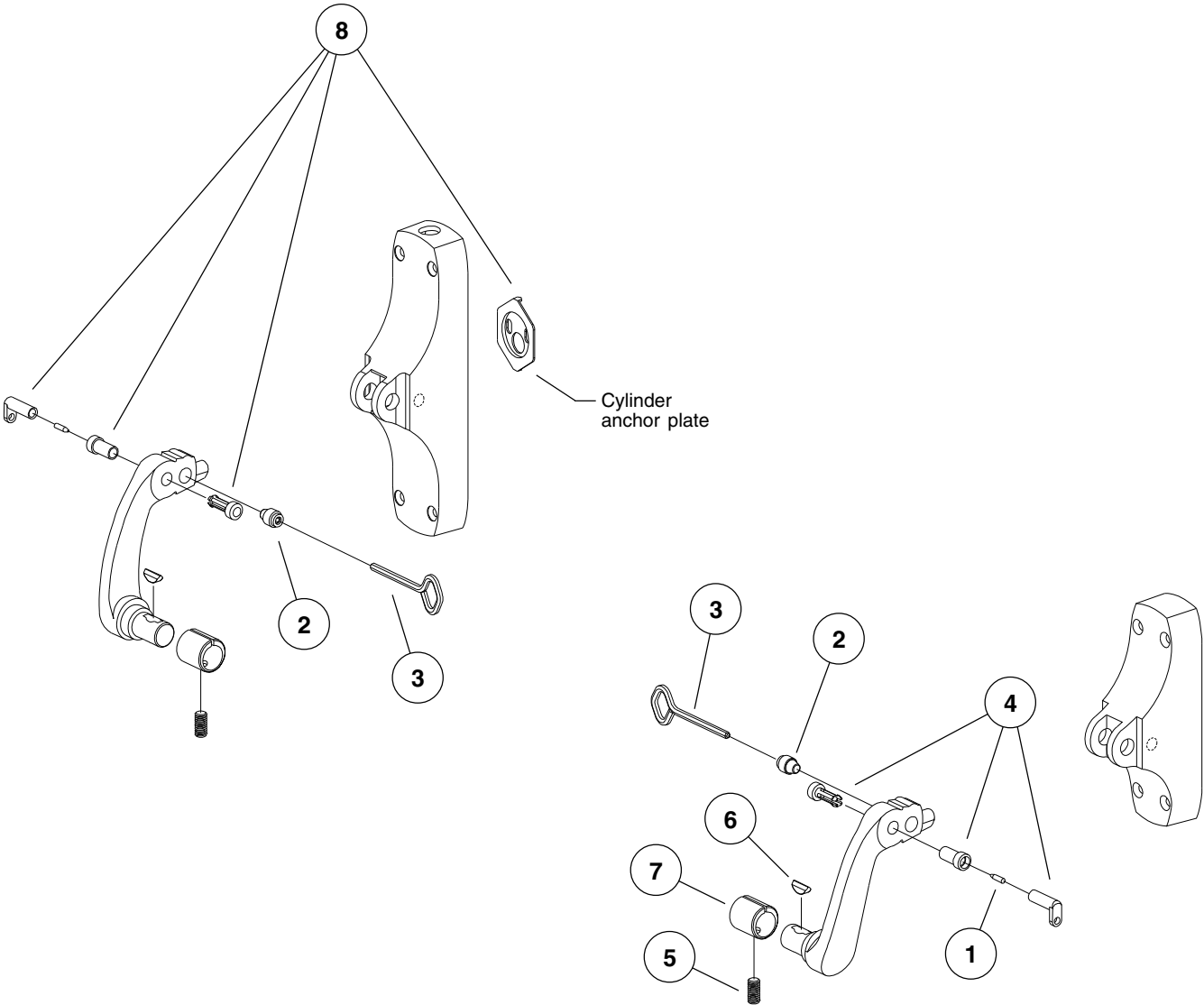
LEVER ARM KITS

Item No.	Part No.	Description	Quantity	Finish
1	050439	88 R/M/V LH Lever Arm Kit	1	X
2	050438	88 R/M/V RH Lever Arm Kit	1	X
3	050443	8827-F/47-F LH Lever Arm Kit	1	X
4	050442	8827-F/47-F RH Lever Arm Kit	1	X

X in "Finish" column designates finished item; specify finish when ordering.



LEVER ARM PARTS PACKAGES

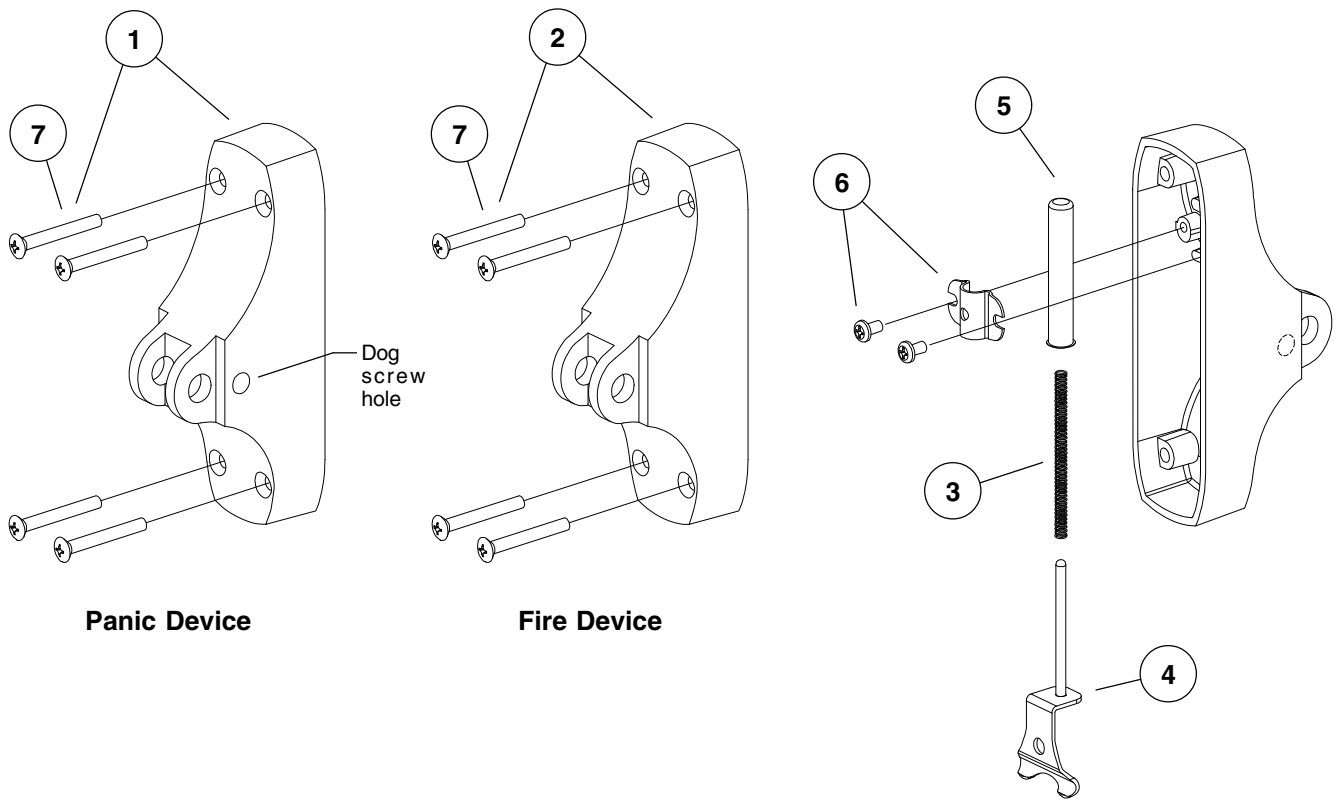


LEVER ARM PARTS PACKAGES

Item No.	Part No.	Description	Quantity	Finish
1	090007	Axle Security Pin Pkg.	10	
1	033022	Axle Security Pin Pkg.	50	
2	090004	Dog Screw Pkg.	2	
2	090083	Dog Screw Pkg.	10	
3	090005	227 Dog Key 5/32" Pkg.	2	
3	090085	227 Dog Key 5/32" Pkg.	10	
4	090006	88 Lever Arm Axles		
		88 Axle Separator	2	
		88 Axle - Male	2	
		88 Axle - Female	2	
4	090082	88 Lever Arm Axles		
		88 Axle Separator	10	
		88 Axle - Male	10	
		88 Axle - Female	10	
5	090008	Wedgetite Screw Pkg.	2	
5	090081	Wedgetite Screw Pkg.	30	
6	090020	Crossbar Tube Attaching Wedge Pkg.	2	
7	090021	Crossbar Tube Attaching Ring Pkg.	2	
8	103865	88 Lever Arm Axle Pkg.		
		Cyliner Anchor Plate	1	
		88 Axle Separator	1	
		88 Axle - Male	2	
		88 Axle - Female	2	

X in "Finish" column designates finished item; specify finish when ordering.

END CASE KIT AND END CASE PARTS

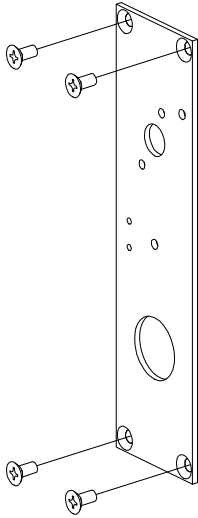


END CASE KIT AND END CASE PARTS

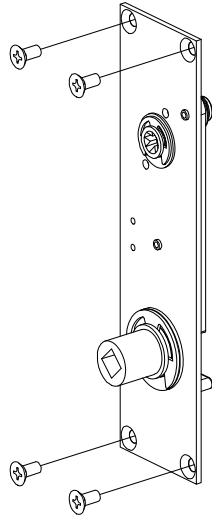
Item No.	Part No.	Description	Quantity	Finish
1	050435	88 R/M/V End Case Kit		X
		88 R/M/V End Case	1	
		10-24 x 1-1/2" OPHMS	4	
		10-24 x 2" OPHMS	4	
		10-12 x 10-24 x 2" OPHCS	4	
2	050436	8827-F/8875-F/8847-F End Case Kit		X
		88SV/CV/M-F End Case	1	
		10-24 x 1-1/2" OPHMS	4	
		10-24 x 2" OPHMS	4	
		10-12 x 10-24 x 2" OPHCS	4	
3	090003	88 End Case Spring Pkg.	2	
3	090080	88 End Case Spring Pkg.	10	
4	050451	88 End Case Spring Stop Kit	1	
5	050476	88/88-F End Case Spring Tube	1	
6	050477	88/88-F Spring Tube Bracket w/Screws Kit		
		88/88-F Spring Tube Bracket	1	
		88/88-F Spring Tube Bracket Screws	2	
7	900503	88 Center or End Case Mtg. Pkg. (CS and MS screws)		X
		10-24 x 1-1/2" OPHMS	4	
		10-24 x 2" OPHMS	4	
		10-12 x 10-24 x 2" OPHCS	4	
7	900504	88 Center or End Case Mtg. Pkg. (CS screws)		X
		10-12 x 10-24 x 2" OPHCS	4	
7	900505	88 Center or End Case Mtg. Pkg. (MS screws 1-3/4" door)		X
		10-24 x 1-1/2" OPHMS	4	
7	900506	88 Center or End Case Mtg. Pkg. (MS screws 2-1/4" door)		X
		10-24 x 2" OPHMS	4	

X in "Finish" column designates finished item; specify finish when ordering.

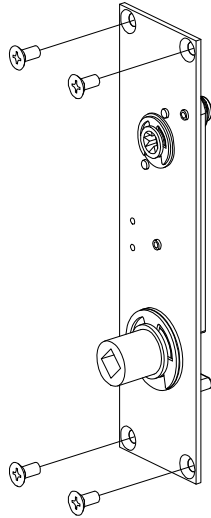
BACKPLATE CONVERSION KITS



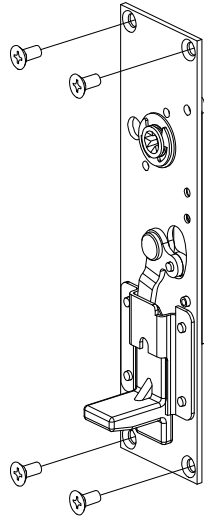
8827CK-EO/DT/TL
Part No. 050447



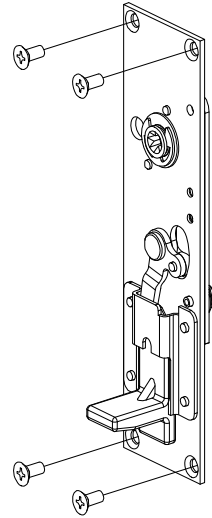
8827CK-K/L-K/L-F
Part No. 050200



8827CK-K-NL/K-NL-F
Part No. 050201



8827CK-TP/TP-F
Part No. 050104

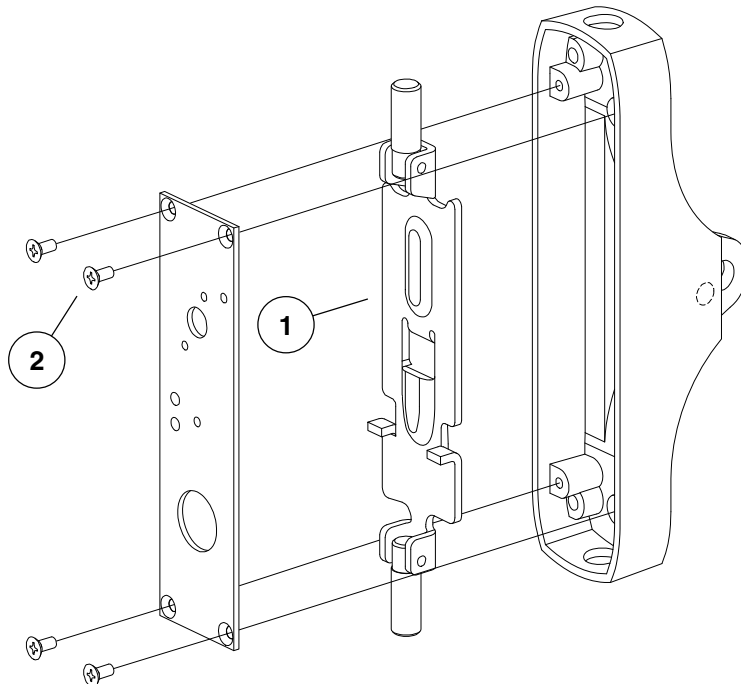


8827CK-TP-NL/TP-NL-F
Part No. 050202

CENTER CASE PARTS: EO/EO-F, DT, TL/TL-F EXIT DEVICES

Item No.	Part No.	Description	Quantity	Finish
1	050446	8827/27-F Rod Control	1	
2	900615	8827 Backplate Screw Pkg.		
		#8-32 x 3/8" UFPHMS	4	

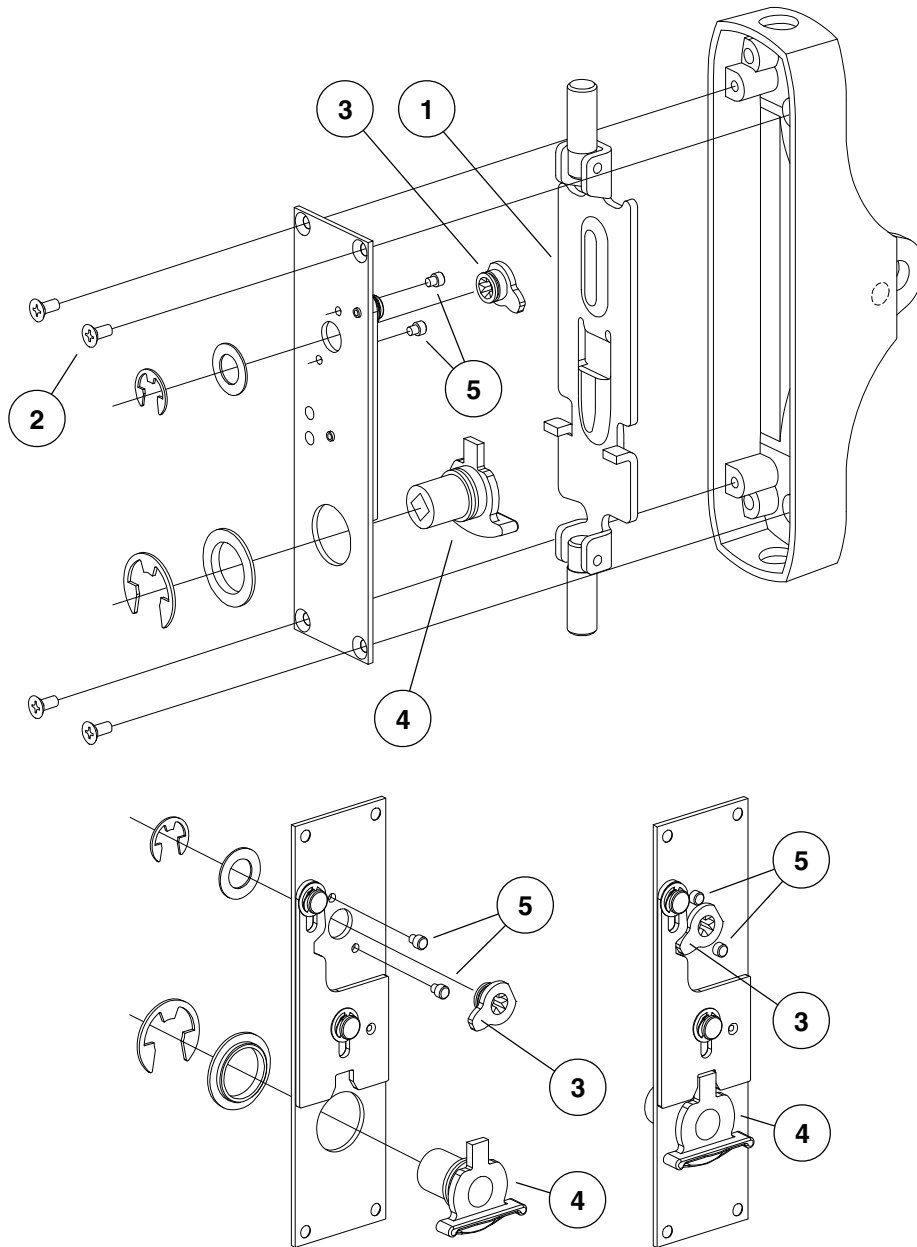
X in "Finish" column designates finished item; specify finish when ordering.



CENTER CASE PARTS: K/K-F, K-NL/K-NL-F, L/L-F EXIT DEVICES

Item No.	Part No.	Description	Quantity	Finish
1	050260	8827/27-F Rod Control	1	
2	900615	8827 Backplate Screw Pkg. #8-32 x 3/8" UFPHMS	4	
3	050448	8827K/K-NL/TP/TP-NL-F Cylinder Cam	1	
4	050449	8827K/K-NL-F Knob Hub	1	
5	090012	8827K-NL/TP-NL Backplate Pin Pkg. (for K-NL only)	2	

X in "Finish" column designates finished item; specify finish when ordering.

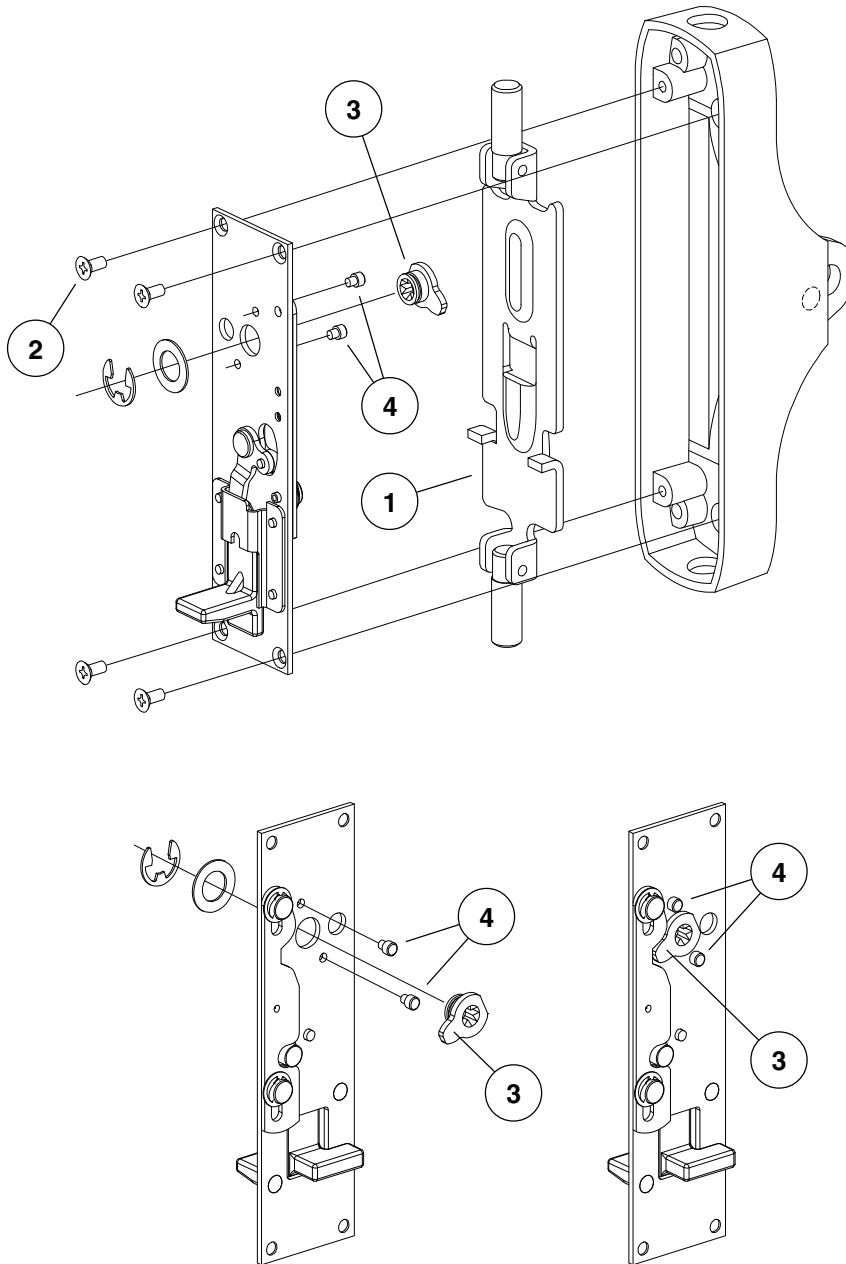


Rear View of Backplate Showing Cylinder Cam and Knob Hub Installation

CENTER CASE PARTS: TP/TP-F, TP-NL/TP-NL-F EXIT DEVICES

Item No.	Part No.	Description	Quantity	Finish
1	050446	8827/27-F Rod Control	1	
2	900615	8827 Backplate Screw Pkg.		
		#8-32 x 3/8" UFPHMS	4	
3	050448	8827K/K-NL/TP/TP-NL-F Cylinder Cam	1	
4	090012	8827K-NL/TP-NL Backplate Pin Pkg. (for TP-NL only)	2	

X in "Finish" column designates finished item; specify finish when ordering.

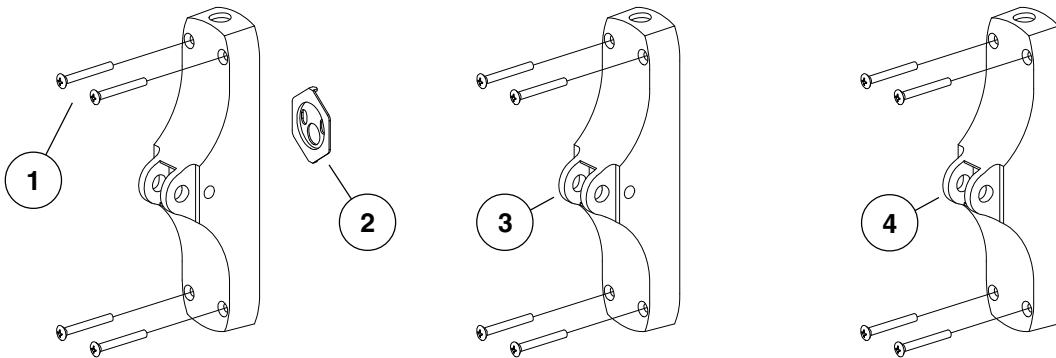


Rear View of Backplate Showing Cylinder Cam and Backplate Pin Installation

CENTER CASE MOUNTING PACKAGES AND CYLINDER ANCHOR PLATE

Item No.	Part No.	Description	Quantity	Finish
1	900503	88 Center or End Case Mtg. Pkg. (CS and MS screws)		X
		10-24 x 1-1/2" OPHMS	4	
		10-24 x 2" OPHMS	4	
		10-12 x 10-24 x 2" OPHCS	4	
1	900504	88 Center or End Case Mtg. Pkg. (CS screws)		X
		10-12 x 10-24 x 2" OPHCS	4	
1	900505	88 Center or End Case Mtg. Pkg. (MS screws 1-3/4" door)		X
		10-24 x 1-1/2" OPHMS	4	
1	900506	88 Center or End Case Mtg. Pkg. (MS screws 2-1/4" door)		X
		10-24 x 2" OPHMS	4	
2	050331	88 Cylinder Anchor Plate	1	

X in "Finish" column designates finished item; specify finish when ordering.



CENTER CASE KITS (includes Mounting Package part No. 500503)

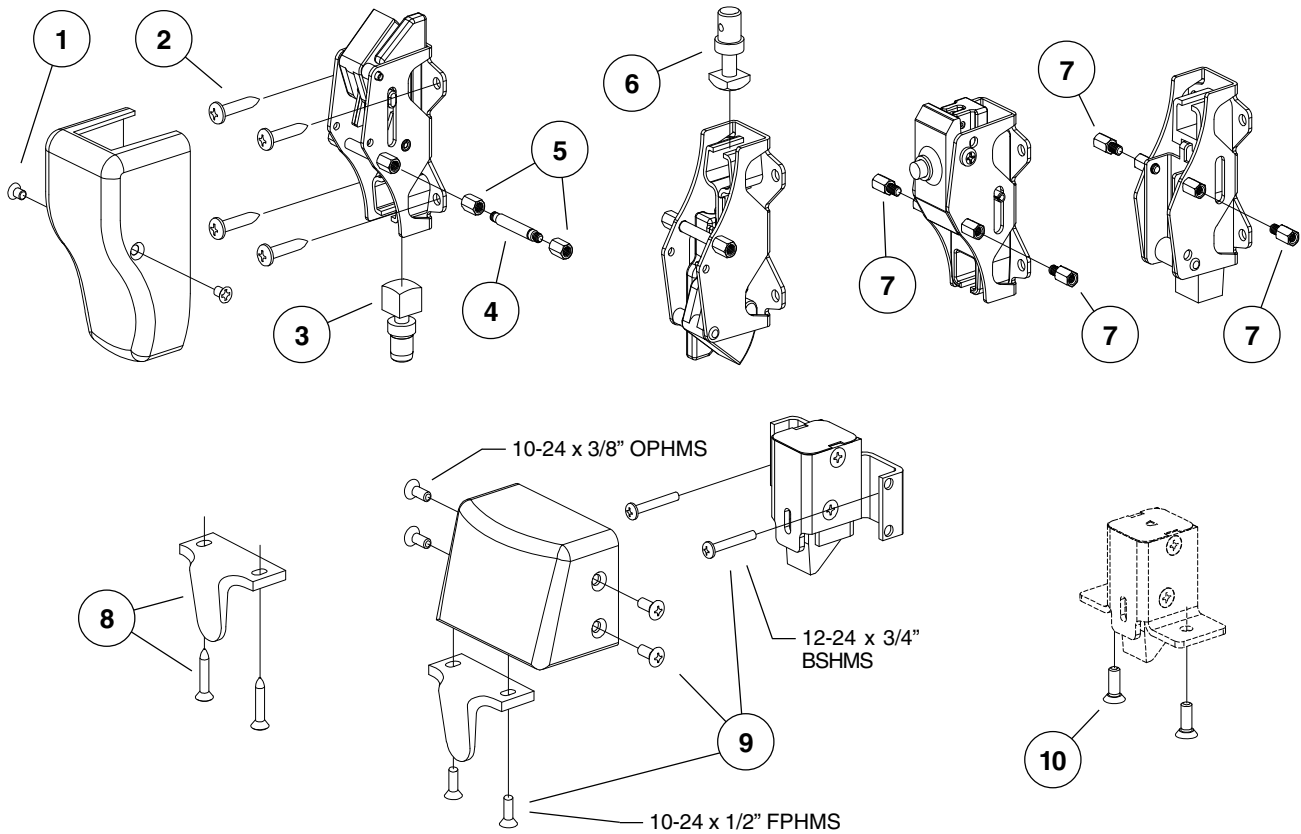
Item No.	Part No.	Description	Quantity	Finish
3	050415	8827EO/DT/TL Center Case Kit	1	X
3	050416	8827TP Center Case Kit	1	X
3	050417	8827K/L Center Case Kit	1	X
3	050418	8827TP-NL Center Case Kit	1	X
3	050419	8827K-NL Center Case Kit	1	X
4	050430	8827EO-F/TL-F Center Case Kit	1	X
4	050431	8827TP-F Center Case Kit	1	X
4	050432	8827K/L-F Center Case Kit	1	X
4	050433	8827TP-NL-F Center Case Kit	1	X
4	050434	8827K-NL-F Center Case Kit	1	X

X in "Finish" column designates finished item; specify finish when ordering.

LATCH PARTS AND SCREW PACKAGES

Item No.	Part No.	Description	Quantity	Finish
1	900850	8827 Latch Case Cover Screw Package		X
		8-32 x 1/4" UFPHMS	2	
2	900501	8827 Latch Case Mounting Package		
		10-12 x 10-24 x 1" BPHCS	4	
3	050279	8827 LR Top Rod Connector	1	
4	050328	8827 Chassis Tie Rod	1	
5	050277	8827 Latch Special Chassis Nut	1	
6	050327	8827 LR Bottom Rod Connector	1	
7	050478	8827-F Special Chassis Hex Stud	1	
8	107765	8827-F Plunger Release Bracket	1	X
9	900852	8827-F Flush Transom Latch Screw Pkg.		X
		10-24 x 1/2" FPHMS	2	
		10-24 x 3/8" OPHMS	4	
		12-24 x 3/4" BSMHS	2	
10	900502	8827/47-F Soffit Latch Mounting Package		
		12-24 x 1/2" UFPHMS	2	

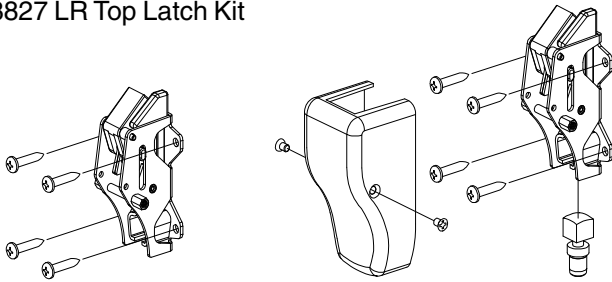
X in "Finish" column designates finished item; specify finish when ordering.



LATCH KITS AND LATCH COVER KITS

Specify Finish when Ordering Latch Kits with Covers and Latch Cover Kits

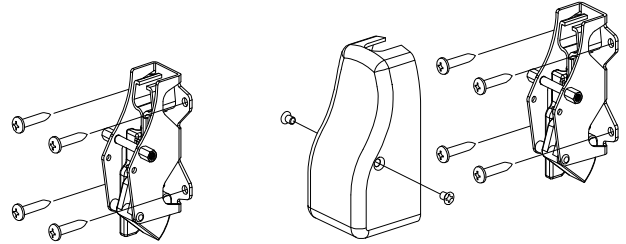
8827 LR Top Latch Kit



Less Cover
Part No. 050460

With Cover
Part No. 050466

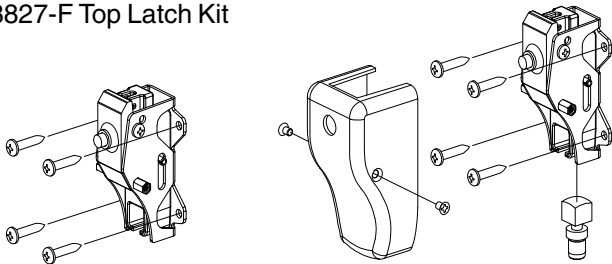
8827 LR Bottom Latch Kit



Less Cover
Part No. 050461

With Cover
Part No. 050467

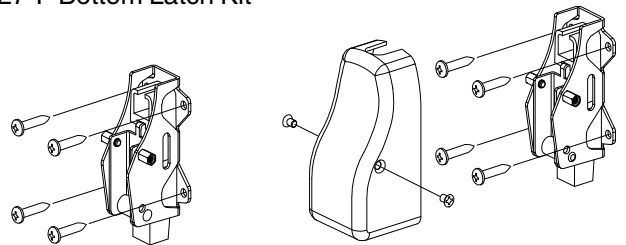
8827-F Top Latch Kit



Less Cover
Part No. 050462

With Cover
Part No. 050468

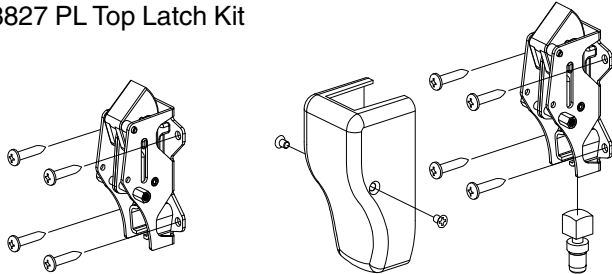
8827-F Bottom Latch Kit



Less Cover
Part No. 050463

With Cover
Part No. 050469

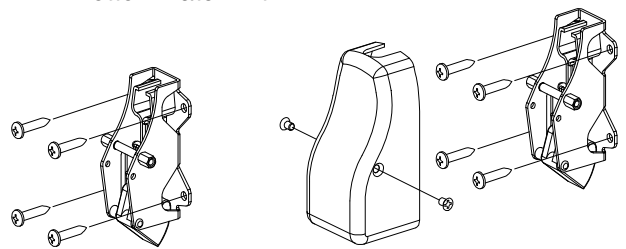
8827 PL Top Latch Kit



Less Cover
Part No. 050471

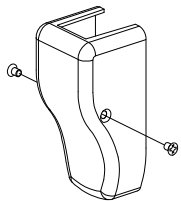
With Cover
Part No. 050473

8827 PL Bottom Latch Kit

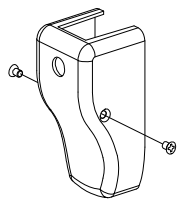


Less Cover
Part No. 050472

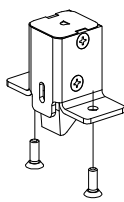
With Cover
Part No. 050479



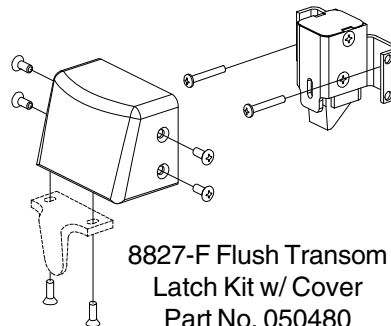
8827 Latch
Cover Kit
Part No. 050464



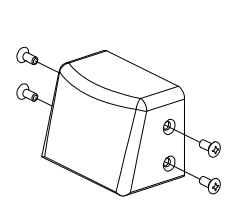
8827-F Top Latch
Cover Kit
Part No. 050465



8827-F/47-F
Soffit Latch Kit
Part No. 114141



8827-F Flush Transom
Latch Kit w/ Cover
Part No. 050480

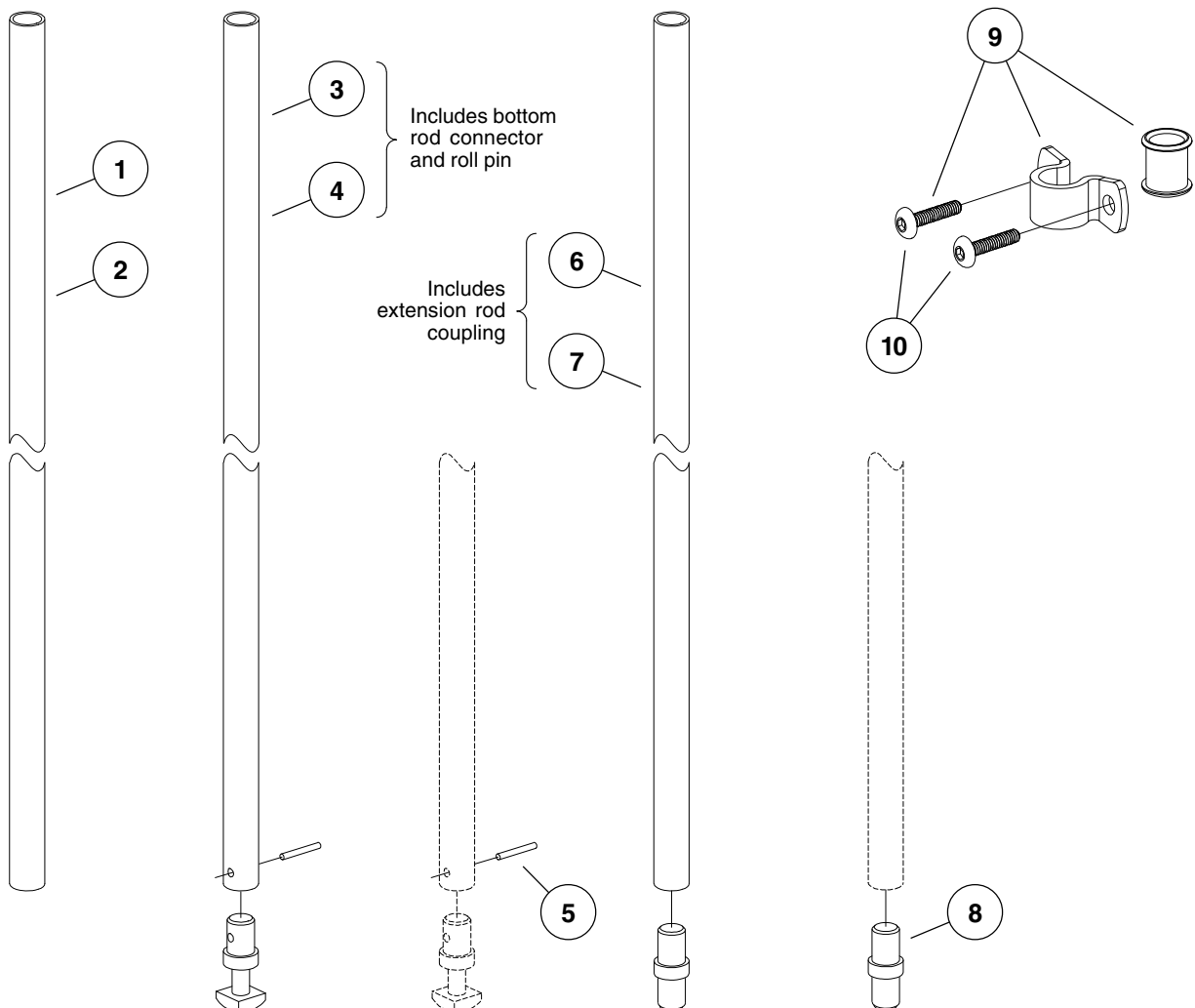


8827-F Flush Transom
Latch Cover Kit
Part No. 050481

VERTICAL RODS

Item No.	Part No.	Description	Quantity	Finish
1	050453	8827 Top Rod Kit	1	X
2	050454	8827-F Top Rod Kit	1	X
3	050455	8827 Bottom Rod Kit	1	X
4	050456	8827-F Bottom Rod Kit	1	X
5	090010	8827/27-F Bottom Rod Roll Pin Pkg.	10	
6	051701	8827 12" Extension Rod Kit	1	X
7	051703	8827 24" Extension Rod Kit	1	X
8	050093	8827 Extension Rod Coupling	1	
9	050482	8827 Rod Guide Kit	1	X
10	900534	8827 Rod Guide Mounting Pkg.		X
		10-12 x 10-24 x 1 PTHCS	2	

X in "Finish" column designates finished item; specify finish when ordering.

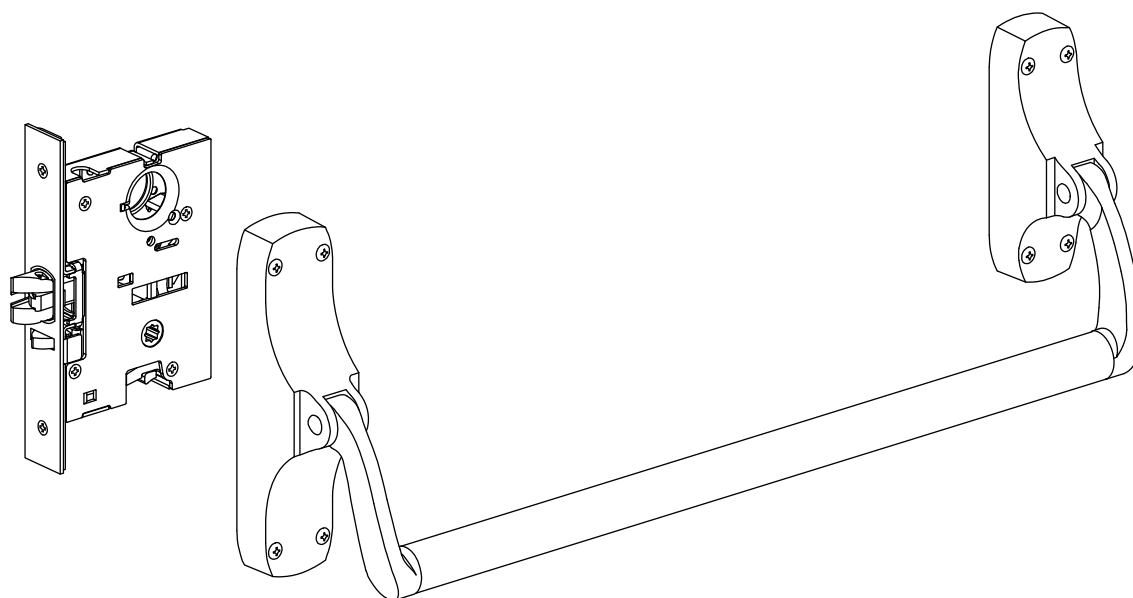


VON DUPRIN®

PARTS MANUAL

JULY 2009

8875 MORTISE LOCK SERIES EXIT DEVICES



PM8875_A
VD-5557

IR Ingersoll Rand
Security Technologies

Copyright © 2009 Ingersoll-Rand. All rights reserved.

INDEX

General Information

Introduction	2
How to Order	2
Part Number Changes	2
8875 Series Finishes	3
Outside Trim Functions	3
Strikes	3

8875 Series Device Parts

Lever Arm Parts Packages	4
Lever Arm Kits	6
Crossbars	6
End Case Kit and End Case Parts	7
Center Case Kits and Center Case Parts	8

INTRODUCTION

This manual contains a listing of replaceable parts and assemblies for the 8875 Series Devices.

HOW TO ORDER

Some parts are sold separately. Other items are available as part of a kit or multiple quantity package. For the best possible service when ordering replacement parts or assemblies, please provide the following information:

- Part number or assembly number
- Description
- Quantity needed
- Finish desired (if available finished)
- Date of original purchase (if known)

To find out the name of your local Von Duprin distributor or sales representative, contact:

Von Duprin Division
Ingersoll-Rand Company
2720 Tobey Drive
Indianapolis, Indiana 46219
Phone: (800) 999-0408
Fax: (800) 999-0328

PART NUMBER CHANGES

This manual reflects the product as sold in July 2009. Because of changes to the product and/or manufacturing process, part numbers can change.

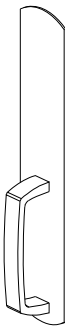
8875 SERIES FINISHES

US Number	BHMA Number	Color
US3	605	Brass, polished
US3A	408	Brass, polished no laquer
US4	606	Brass, dull
US4A	410	Brass, dull no laquer
US10	612	Bronze, dull
US10B	613	Brass, dull (oxidized)
US26	625	Chrome, polished
US26D	626	Chrome, dull
SPBLK	693	Gloss black powder

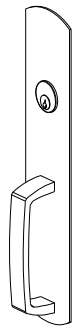
OUTSIDE TRIM FUNCTIONS



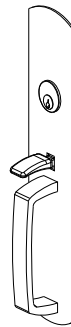
880EO



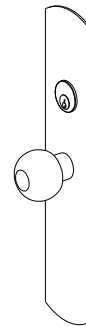
880DT



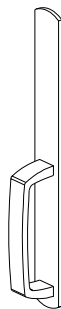
880NL



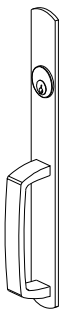
880TP



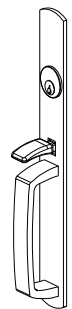
880K



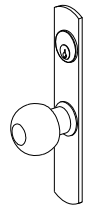
608DT



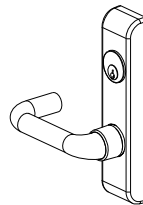
608NL



608TP



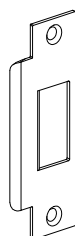
606K



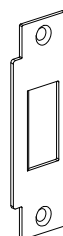
373L

STRIKES

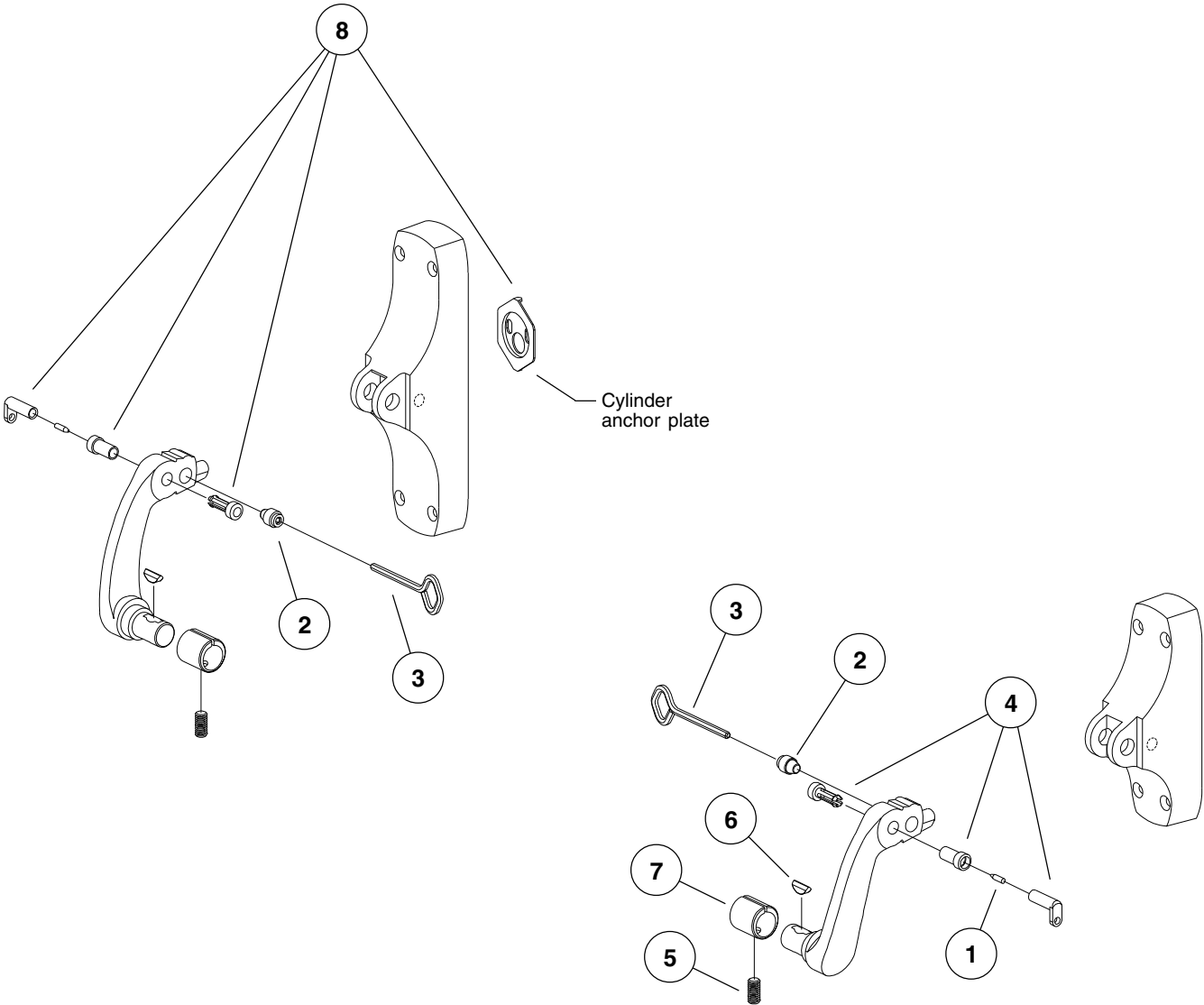
575
single door



575-2
double door



LEVER ARM PARTS PACKAGES



LEVER ARM PARTS PACKAGES

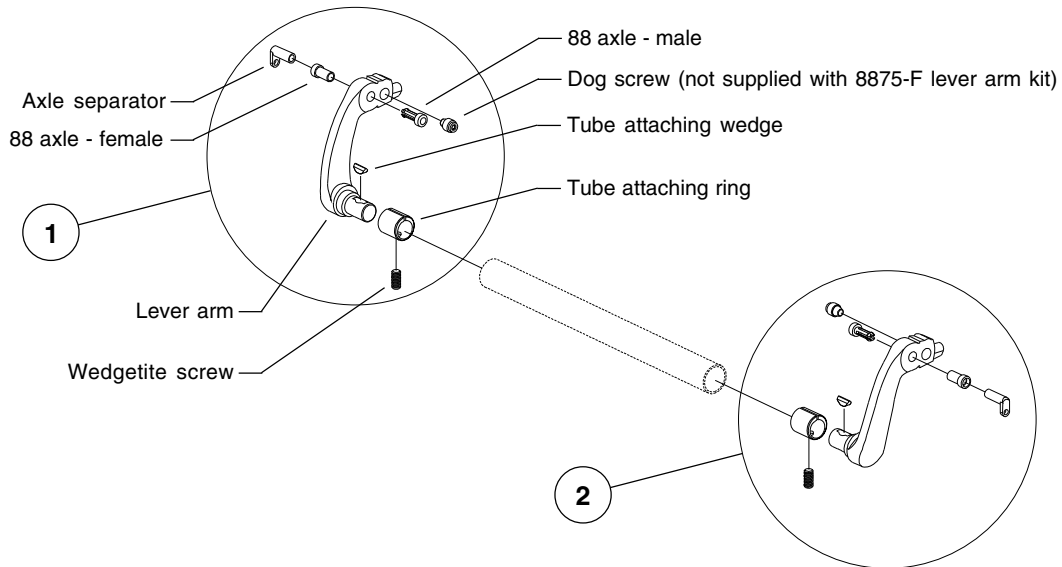
Item No.	Part No.	Description	Quantity	Finish
1	090007	Axle Security Pin Pkg.	10	
1	033022	Axle Security Pin Pkg.	50	
2	090004	Dog Screw Pkg.	2	
2	090083	Dog Screw Pkg.	10	
3	090005	227 Dog Key 5/32" Pkg.	2	
3	090085	227 Dog Key 5/32" Pkg.	10	
4	090006	88 Lever Arm Axles		
		88 Axle Separator	2	
		88 Axle - Male	2	
		88 Axle - Female	2	
4	090082	88 Lever Arm Axles		
		88 Axle Separator	10	
		88 Axle - Male	10	
		88 Axle - Female	10	
5	090008	Wedgetite Screw Pkg.	2	
5	090081	Wedgetite Screw Pkg.	30	
6	090020	Crossbar Tube Attaching Wedge Pkg.	2	
7	090021	Crossbar Tube Attaching Ring Pkg.	2	
8	103865	88 Lever Arm Axle Pkg.		
		Cyliner Anchor Plate	1	
		88 Axle Separator	1	
		88 Axle - Male	2	
		88 Axle - Female	2	

X in "Finish" column designates finished item; specify finish when ordering.

LEVER ARM KITS

Item No.	Part No.	Description	Quantity	Finish
1	050439	88 R/M/V LH Lever Arm Kit (includes dog screw)	1	X
1	050445	8875-F LH Lever Arm Kit (no dog screw)	1	X
2	050438	88 R/M/V RH Lever Arm Kit (includes dog screw)	1	X
2	050444	8875-F RH Lever Arm Kit (no dog screw)	1	X

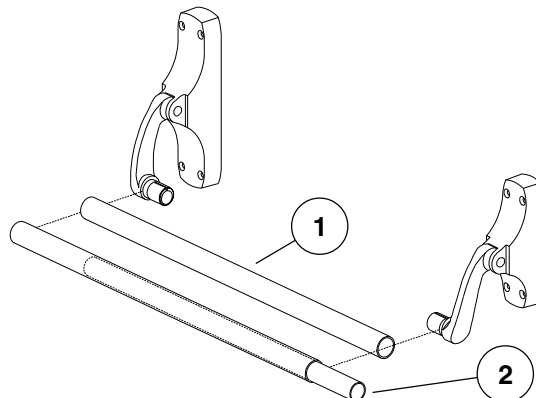
X in "Finish" column designates finished item; specify finish when ordering.



CROSSBARS

Item No.	Part No.	Description	Quantity	Finish
1	050004	42" Standard Crossbar Kit	1	X
1	050005	42" Knurled Crossbar Kit	1	X
2	050459	37" Crossbar Reinforcement Kit	1	

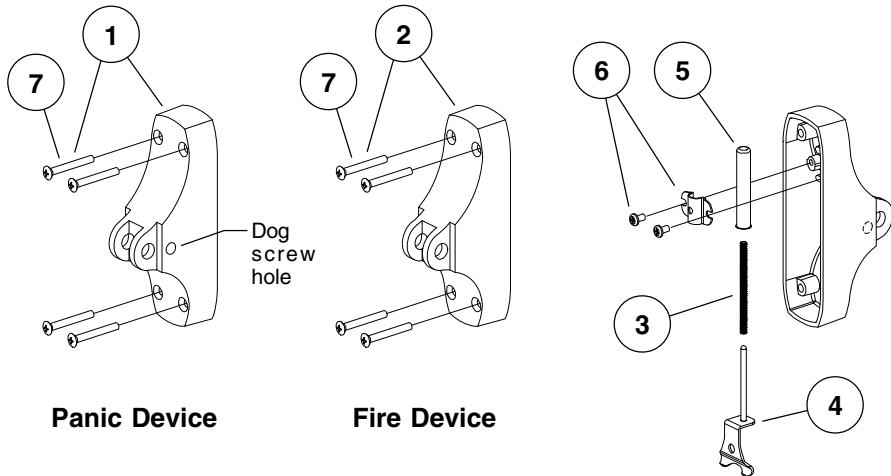
X in "Finish" column designates finished item; specify finish when ordering.



END CASE KIT AND END CASE PARTS

Item No.	Part No.	Description	Quantity	Finish
1	050435	88 R/M/V End Case Kit		X
		88 R/M/V End Case	1	
		10-24 x 1-1/2" OPHMS	4	
		10-24 x 2" OPHMS	4	
		10-12 x 10-24 x 2" OPHCS	4	
2	050436	8827-F/8875-F/8847-F End Case Kit		X
		88SV/CV/M-F End Case	1	
		10-24 x 1-1/2" OPHMS	4	
		10-24 x 2" OPHMS	4	
		10-12 x 10-24 x 2" OPHCS	4	
3	090003	88 End Case Spring Pkg.	2	
3	090080	88 End Case Spring Pkg.	10	
4	050451	88 End Case Spring Stop Kit	1	
5	050476	88/88-F End Case Spring Tube	1	
6	050477	88/88-F Spring Tube Bracket w/Screws Kit		
		88/88-F Spring Tube Bracket	1	
		88/88-F Spring Tube Bracket Screws	2	
7	900503	88 Center or End Case Mtg. Pkg. (CS and MS screws)		X
		10-24 x 1-1/2" OPHMS	4	
		10-24 x 2" OPHMS	4	
		10-12 x 10-24 x 2" OPHCS	4	
7	900504	88 Center or End Case Mtg. Pkg. (CS screws)		X
		10-12 x 10-24 x 2" OPHCS	4	
7	900505	88 Center or End Case Mtg. Pkg. (MS screws 1-3/4" door)		X
		10-24 x 1-1/2" OPHMS	4	
7	900506	88 Center or End Case Mtg. Pkg. (MS screws 2-1/4" door)		X
		10-24 x 2" OPHMS	4	

X in "Finish" column designates finished item; specify finish when ordering.



CENTER CASE KITS AND CENTER CASE PARTS

Item No.	Part No.	Description	Quantity	Finish
1	050422	8847-F RHR Center Case Kit	1	X
1	050423	8847-F LHR Center Case Kit	1	X
2	050209	8847-F/75/75-F Latch Control LH	1	
3	050210	8847-F/75/75-F Latch Control RH	1	
4	050211	8847-F/75/75-F Backplate w/ Screws	1	
5	050331	88 Cylinder Anchor Plate	1	
6	090013	8847-F/75-F Flat point Set Screw Pkg.	5	
7	090014	8847-F/75/75-F Center Case Spring Pkg.	2	
8	900615	8827 Backplate Screw Pkg.	4	
9	900503	88 Center or End Case Mtg. Pkg. (CS and MS screws)		X
		10-24 x 1-1/2" OPHMS	4	
		10-24 x 2" OPHMS	4	
		10-12 x 10-24 x 2" OPHCS	4	
9	900504	88 Center or End Case Mtg. Pkg. (CS screws)		X
		10-12 x 10-24 x 2" OPHCS	4	
9	900505	88 Center or End Case Mtg. Pkg. (MS screws 1-3/4" door)		X
		10-24 x 1-1/2" OPHMS	4	
9	900506	88 Center or End Case Mtg. Pkg. (MS screws 2-1/4" door)		X
		10-24 x 2" OPHMS	4	

X in "Finish" column designates finished item; specify finish when ordering.

