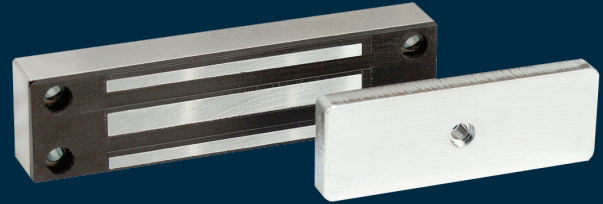


MCL Cabinet Magnalock®

The compact versatile asset management cabinet locking solution



The MCL is ideal for extending access control to all sizes and shapes of cabinets and enclosures that require asset protection.

Typical applications include jewelry cases, museum cases, gun cabinets, pharmaceutical storage cabinets, cash drawers and any swinging or sliding door or drawer that needs asset control — indoors or out.

Features

Standard Features

- Direct mount or bracket mount with common tools for easy installation
- Universal bracket included to support a variety of applications
- Efficient, low power usage
- Fully sealed for weatherproof operation
- Rust resistant — all ferrous metal surfaces plated for durability
- Sealed 6 ft. [1.8m] jacketed, stranded conductor cable
- MagnaCare® lifetime replacement, no-fault, no questions asked warranty



MagnaCare
Warranty



Swinging
Door



Sliding
Door



Drawers



Outdoor
Rated



Preload

Specifications

Electrical

- 84 mA at 24 VDC

Holding Force

- Static Strength 170 lbs

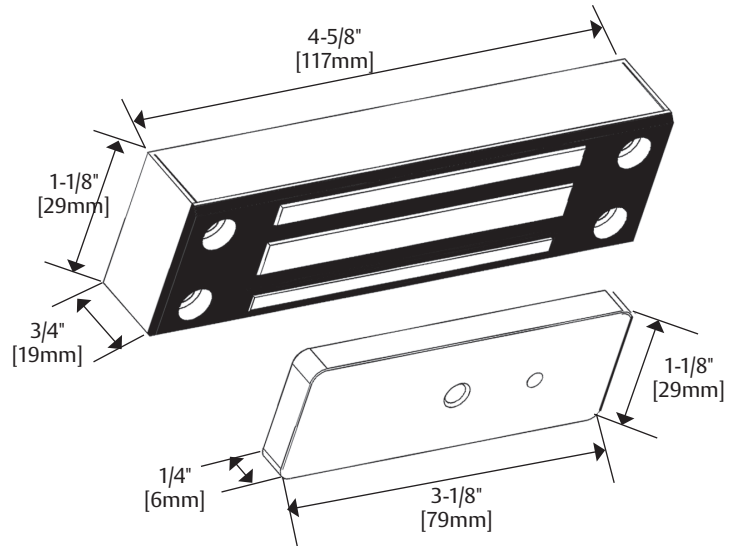
Environmental

- Operating Temperature: -40° to 140°F [-40° to 60°C]
- Indoor or outdoor use

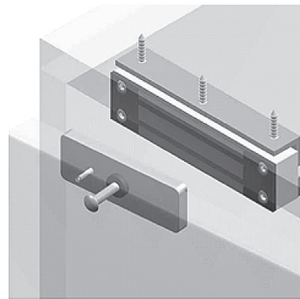
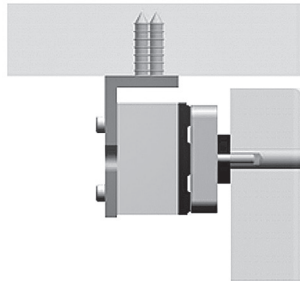
Shipping Weight

- 6 lbs [2.72kg]

Dimensions



Swinging Door



Sliding Door

