

# M380E EcoMag<sup>®</sup> Series Magnalock<sup>®</sup>

600 lbs holding force,  
bracket mounted,  
sustainable Magnalock



Intelligent, stylish and secure, with up to 80% reduction in energy consumption over the previous M380 Series.

With integrated features such as built-in smart voltage sensing, tamper sensor and an updated strike plate mounting template, the M380E joins the M680E in the family of sustainable magnalocks.

The M380EBD and M380EBDX models offer additional integrations, such as Securitron's patented BondSTAT lock sensor, Door Position Switch, built-in door prop sensing (which allows the magnet to de-energize the coil when the door is held open for extended periods), and a passive infrared request to exit (PIR REX).

## Features

### Standard Features

- Sustainability documentation
- Energy efficient, low power usage
- Synchronous double door release using a single Request to Exit
- Auto calibration upon installation
- Automatic dual-voltage – no field adjustment required
- LED Indicator shows the lock is secure, open, or has an incomplete bond
- Tamper Switch sends an alarm output if the cover is removed and is selectable to NO or NC
- Rust resistant – all ferrous metal surfaces plated for durability
- Adjustable automatic relock timer (0 to 30 seconds)
- Wire chamber anti-tamper switch
- Size optimized for use with door closers

- Patented BondSTAT lock sensor and integrated Door Position Switch (DPS) with relock timer
- MagnaCare<sup>®</sup> lifetime replacement, no fault, no questions asked warranty

### Optional Features

- X Integrated passive infrared request to exit

### Accessories

- **ASB-680** Aluminum Shim Bracket in Clear or Black Anodized
- **CWB-680** Concrete Wood Bracket in Clear or Black Anodized
- **GDHB-680** Glass Door Header Bracket in Clear or Black Anodized



Grade 3

MagnaCare  
WarrantyAuto Sensing  
Dual Voltage  
12/24PoE  
Friendly

Fire Rated



Preload

# Specifications

## Certifications

- UL 10C Fire Rated, 3 Hour
- UL 1034 Listed
- UL 294 Listed
- CAN4-S104, CAN/ULC Listed
- ANSI/BHMA A156.23, Grade 3
- CSFM—California State Fire Marshal Approved

## Electrical Consumption

- **Maglock Average Power Draw (±10%)**
  - » 140 mA at 12 VDC, 90 mA at 24 VDC
- **Maglock Maximum Power Draw (±10%)**
  - » 585 mA at 12 VDC, 310 mA at 24 VDC
- **REX Power (±10%)**
  - » Adds 25 mA at 12 VDC
  - » Adds 10 mA at 24 VDC

## Holding Force

- 600 lbs [272kg]

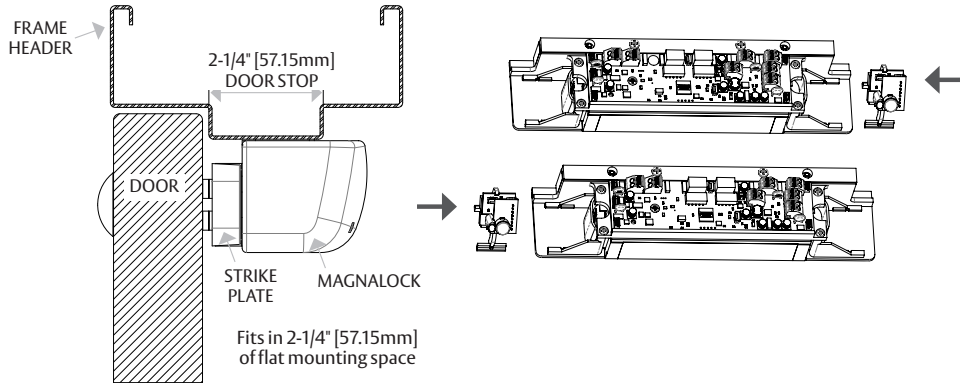
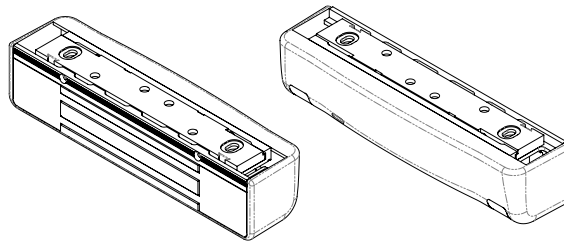
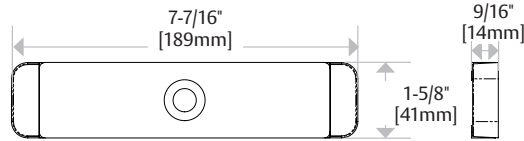
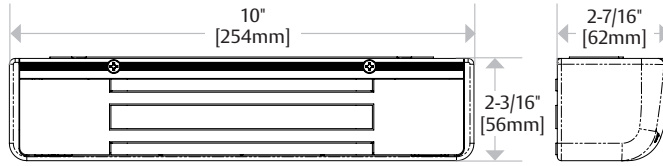
## Operating Temperature

- 32° to 110°F [0° to 43°C]
- Indoor use only

## Shipping Weight

- 6.5 lbs [2.94kg]

# Dimensions



# Related Accessories



ASB-680

CWB-680

GDHB-680

Ordered Separately

# How to Order

MODEL SERIES	ACCESSORY OPTIONS	FINISH OPTIONS
<b>M380EBD</b>	<b>X</b>	<b>- 606</b>
M380EBD 600 lbs with BondSTAT Monitor & Door Position Switch	(blank) No Accessory Options X PIR Request to Exit	600 Paintable Primer Gray Finish 605/US3 Bright Brass 606/US4 Satin Brass 612/US10 Satin Bronze 613E Dark Oxidized Satin Bronze 629 Bright Stainless Steel 630 Satin Stainless Steel BSP Black Suede Powder