



64000

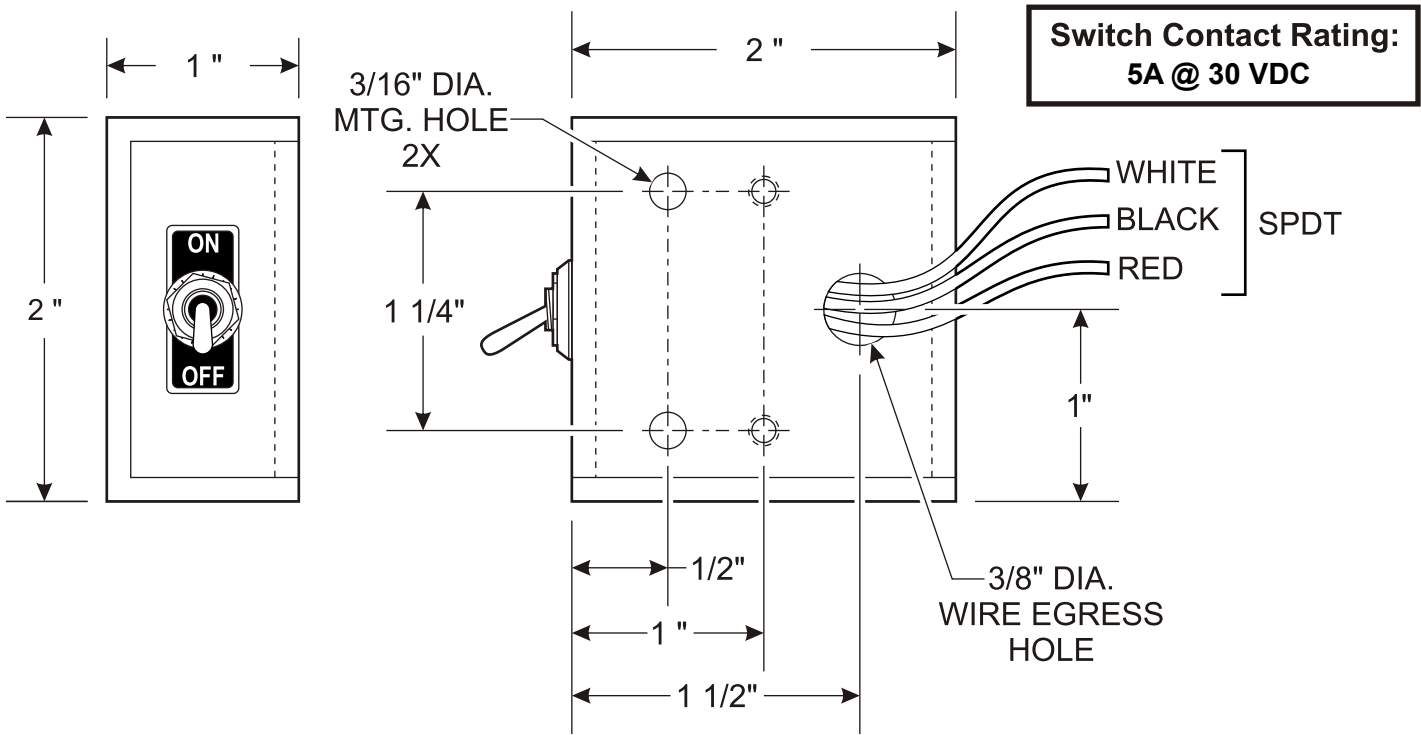
660T4

Installation Instructions



Surface Box

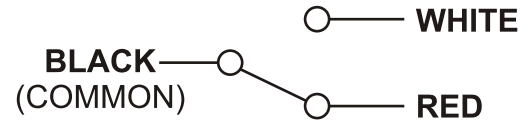
The 660T4 is a SPDT maintained toggle switch that can be surface mounted. A typical application is an under-desk release of entrance doors.



Shipped Items

- 8-32 x 3/8" Lg Pan HD Screw (2x)
- #8 x 3/4 Lg Pan HD Sheet Metal Screw (2x)
- #8 External Tooth Lockwasher (2x)

Toggle Switch - T4



Shown in OFF position.

Mounting Instructions

1. Remove screws which secure housing cover to switch housing.
2. Place switch housing in desired position and mark mounting hole locations.
3. Pre-drill for either 8-32 x 3/8" pan head screws or #8 sheet metal screws.
4. Mount switch housing using two screws and two lock washers.
5. Make wiring connections (see above diagram).
6. Install housing cover.

Customer Service

1-877-671-7011

www.allegion.com/us



© Allegion 2015
Printed in U.S.A.
64000 Rev. 8-20-d