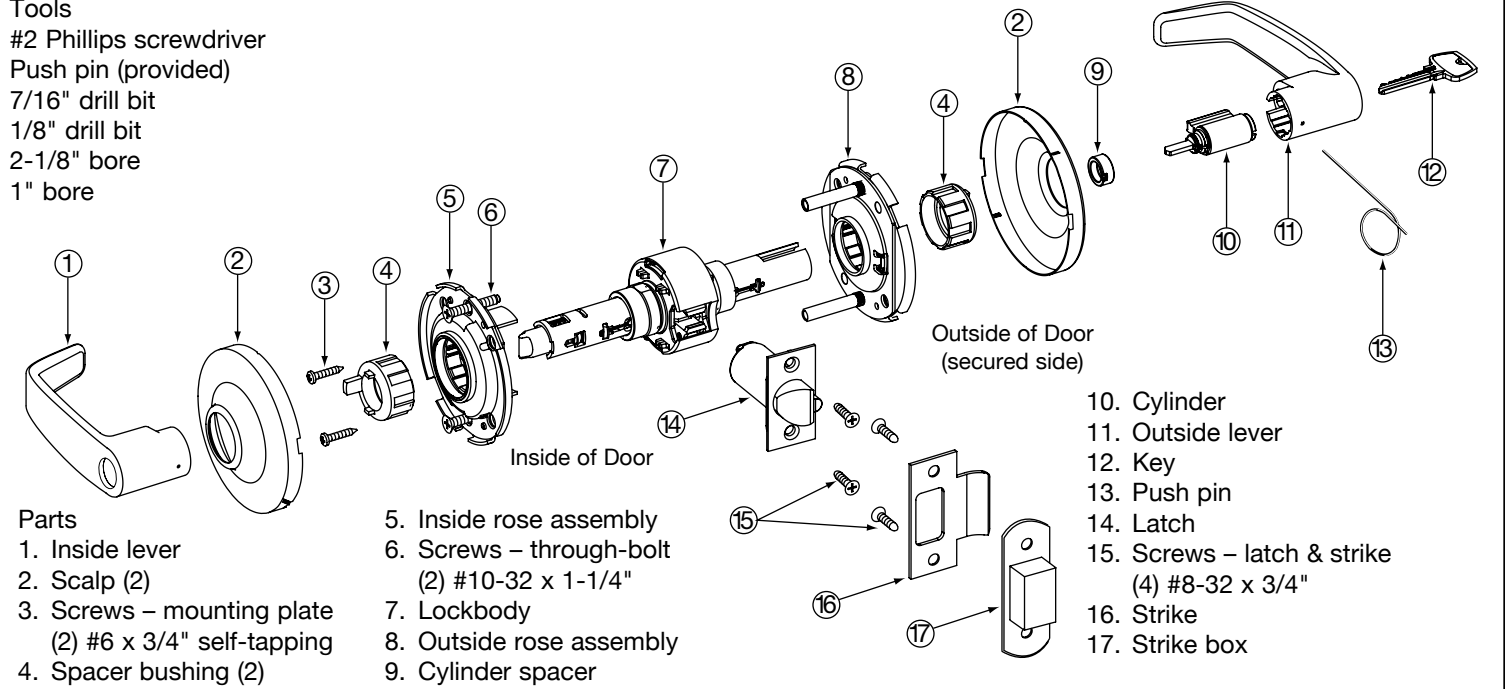


- Tools**
#2 Phillips screwdriver
Push pin (provided)
7/16" drill bit
1/8" drill bit
2-1/8" bore
1" bore



Parts

- | | |
|--|---|
| 1. Inside lever | 5. Inside rose assembly |
| 2. Scalp (2) | 6. Screws – through-bolt
(2) #10-32 x 1-1/4" |
| 3. Screws – mounting plate
(2) #6 x 3/4" self-tapping | 7. Lockbody |
| 4. Spacer bushing (2) | 8. Outside rose assembly |
| | 9. Cylinder spacer |

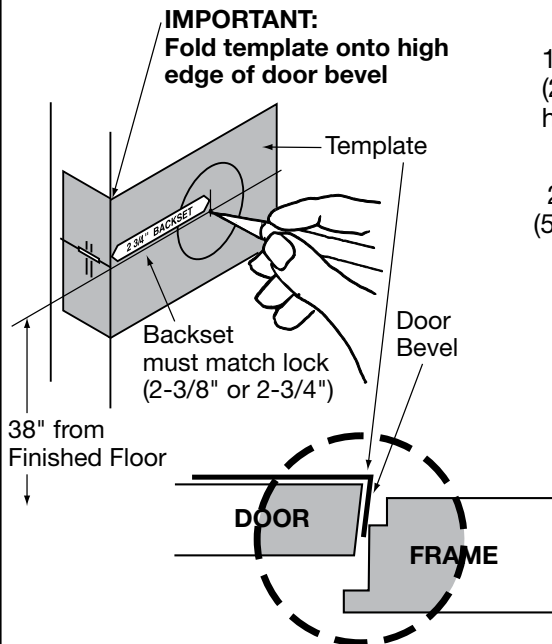
- | |
|---|
| 10. Cylinder |
| 11. Outside lever |
| 12. Key |
| 13. Push pin |
| 14. Latch |
| 15. Screws – latch & strike
(4) #8-32 x 3/4" |
| 16. Strike |
| 17. Strike box |

* Used with 68 Function only

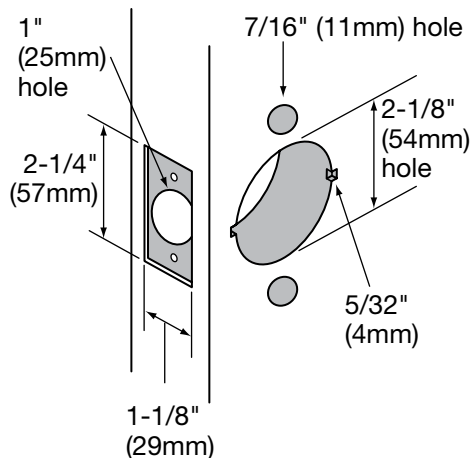
Door Preparation

- All doors should be properly reinforced for lock support. If support is not provided, contact door manufacturer.
- For all metal door preparations use template A4375, EXCEPT for functions 10G70 or 10G71 which uses template 4409 (provided), or functions 10U93, 10U94 and 10U94-2 which require template A4375.
- For all wood door preparations use template A6719, EXCEPT for functions 10G70 & 10G71 which uses template 4409 (provided), or functions 10U93, 10U94 and 10U94-2 which requires template A4375.
- Template information is available on our website, www@sargentlock.com.

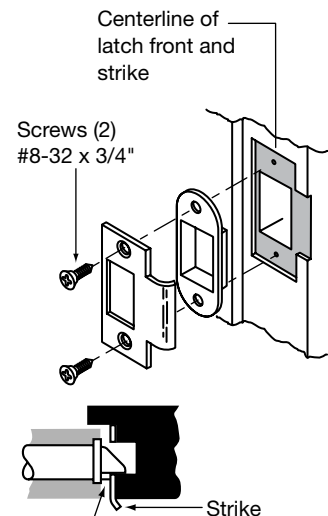
• Mark and Drill Holes



• Final Door Prep



• Frame Prep for Strike

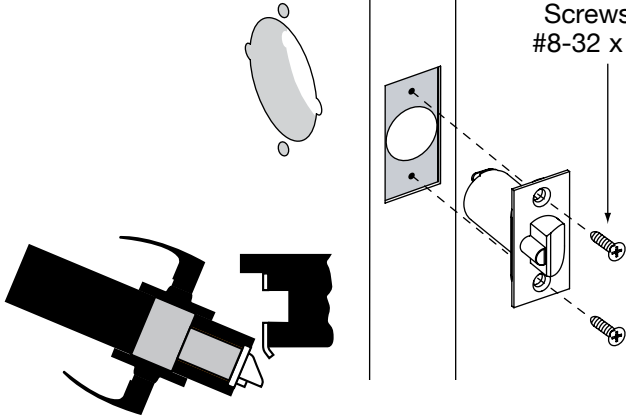


IMPORTANT: Deadlocking latch must stop on strike when door is closed

1

Latch Installation

Install loosely;
tighten after step #3
Screws (2)
#8-32 x 3/4"

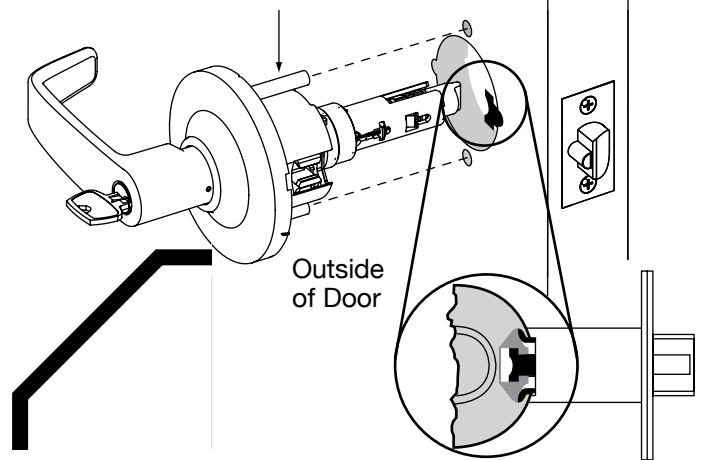


Please note: Doors without a beveled edge need to be adjusted to center the latch - adjust per step 2A.

2

Preset Lock

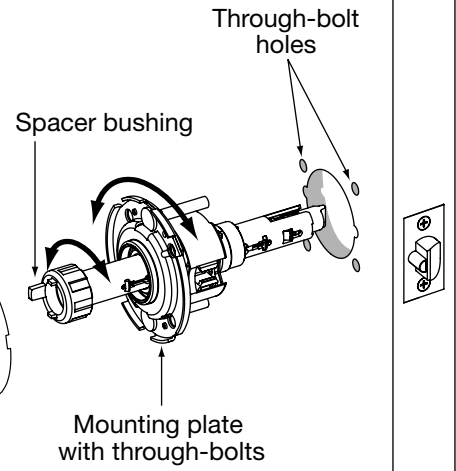
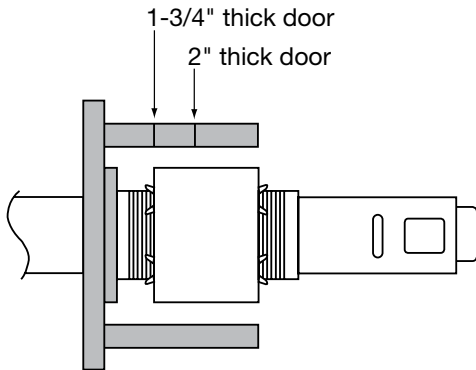
- Through-bolt Location – 12 and 6 o'clock
- Door Thickness – 1-3/4" thick
- See Step 2A for other door conditions



2A

Through-bolt and door thickness adjustment other than preset

- Remove – outside lever (usually keyed), scalp and spacer bushing
- Rotate – mounting plate to either align with through-bolt holes in door or adjust for proper door thicknesses (see markings on through-bolt)
- Reinstall – spacer bushing (to align with back of lever), scalp and lever



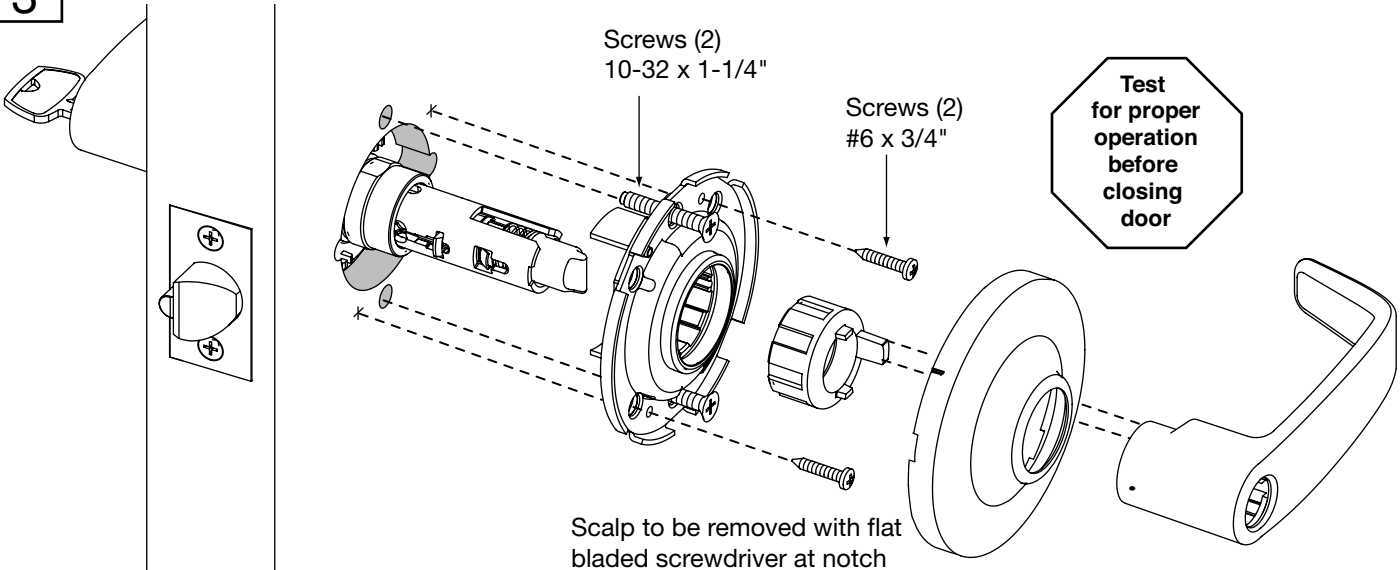
3

Screws (2)
10-32 x 1-1/4"

Screws (2)
#6 x 3/4"

Test
for proper
operation
before
closing
door

Scalp to be removed with flat
bladed screwdriver at notch



2

A7133L

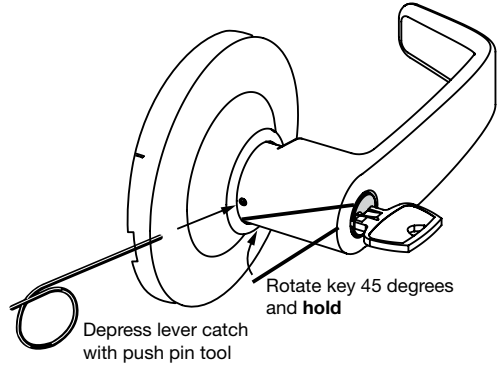
Copyright © 2012, 2016-2017, Sargent Manufacturing Company, an ASSA ABLOY Group company. All rights reserved. Reproduction in whole or in part without the express written permission of Sargent Manufacturing Company is prohibited. Patent pending and/or patent www.assaabloydss.com/patents.

ASSA ABLOY, the global leader
in door opening solutions

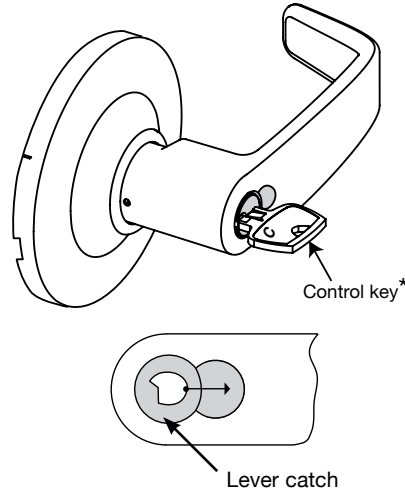
SARGENT
ASSA ABLOY

Lever and Cylinder Removal

Standard Cylinder



Interchangeable and Removable Core Cylinder



- Remove cylinder and tailpiece, using control key (stamped "C")
 - Insert Phillips #2 screw driver into cylinder opening making contact with lever catch.
 - Pull lever catch horizontally towards door hinge and remove lever.
- *Note - 1 Bitted cylinders utilize a control key cut 113511

Standard Cylinder Installation

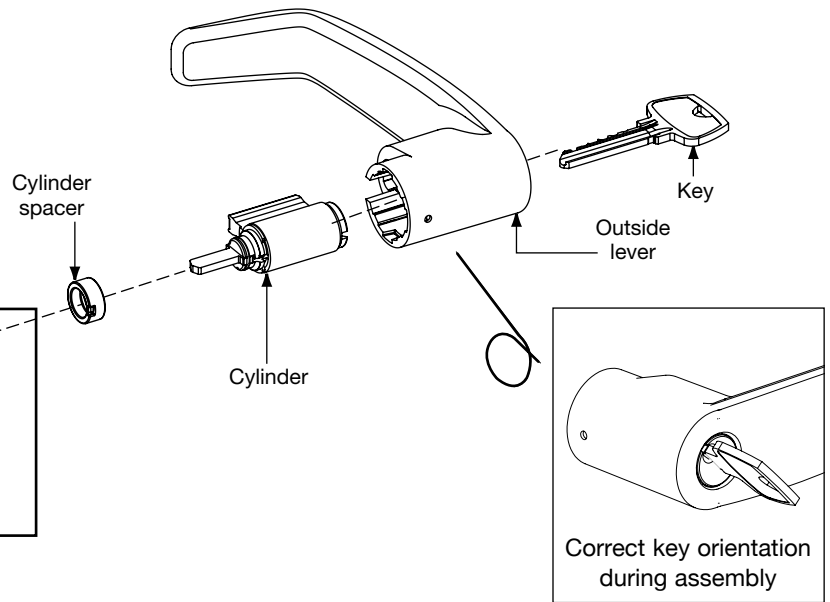
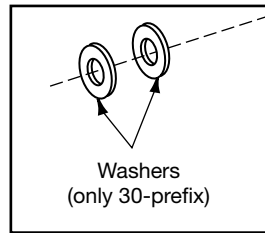
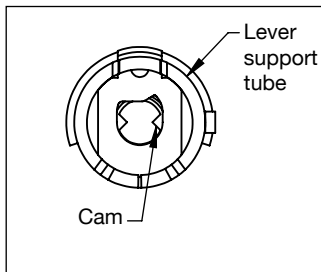
IMPORTANT:

10G16, 10G30, 10G54 Functions:

Before installing cylinders, rotate all cams counterclockwise until it stops, using a flat tip screwdriver. (Cam is located in the lever support tube of lockbody)

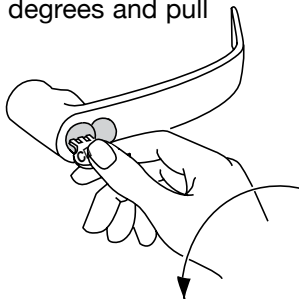
10G26 & 10G38 Functions:

See supplemental instruction sheet A8082



Interchangeable or Removable Core Installation

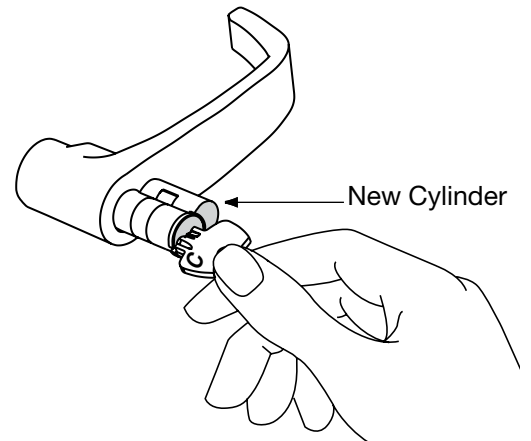
- Remove construction core or plastic core
- If keyed – use Control Key (stamped "C") rotate 15 degrees and pull



- **IMPORTANT:** Remove tailpiece from construction core and insert into new cylinder

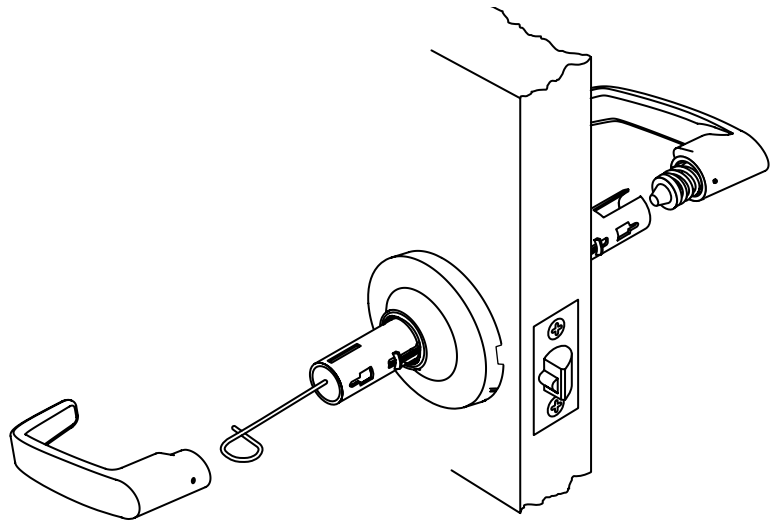
Remove Construction Core	Install New/Final Cylinder
<p>Remove/Reuse 6 Pin Tailpiece</p> <p>Plastic Core</p> <p>Construction Core</p>	<p>7-pin – in box</p> <p>Keyed Cylinder</p> <p>6-pin – in core</p> <p>Keyed Cylinder</p>

- Install Cylinder
- Insert cylinder with control key (stamped "C") into lever; rotate 15 degrees and remove key



Remove 10G13

- Remove inside (non-rigid) lever with standard push pin
- Insert long push pin into inside lockbody tube and push to release spring loaded lever catch plug assembly for the outside lever
- Remove the outside lever with lever catch plug assembly attached



Install 10G70 & 10G71

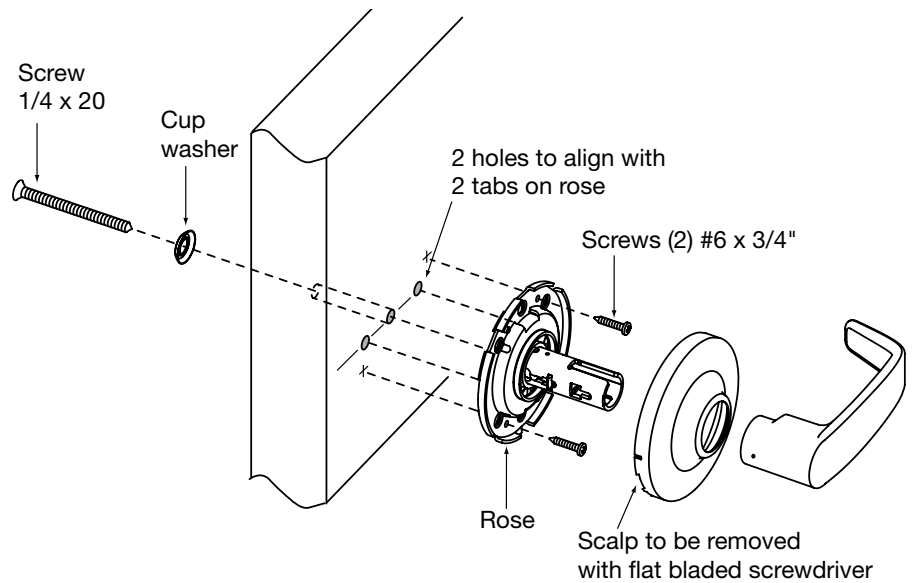
- Power Required: 24Volt DC, .25 amps, wiring information provided
- Wires must be protected from abrasion
- Important- See correct door template 4409 provided or on the website at www@sargentlock.com.

Function Description:

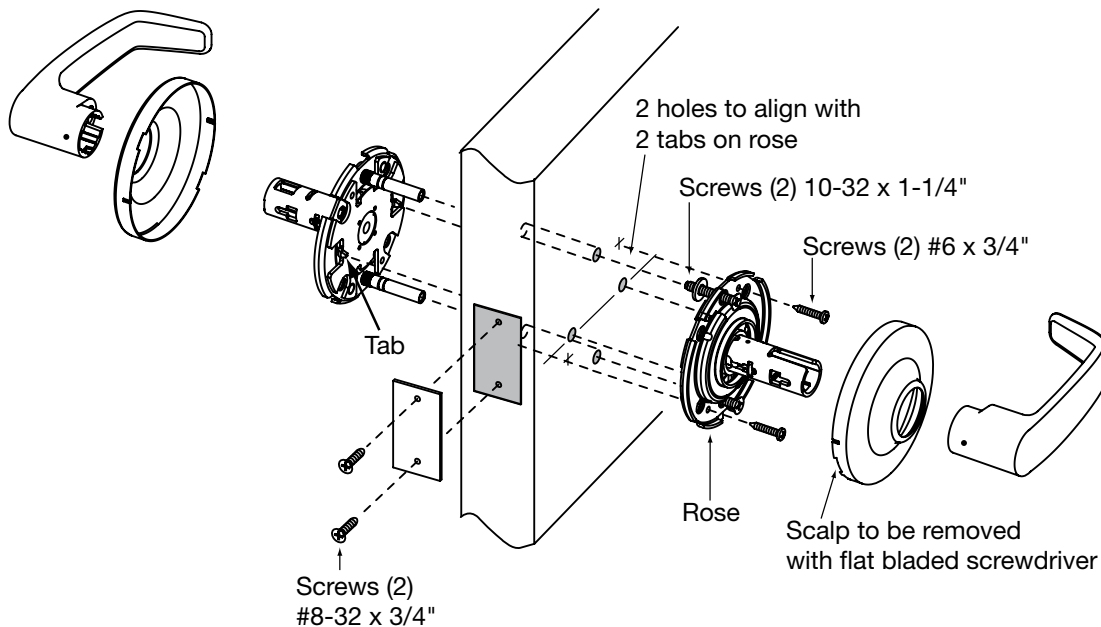
10G70 Fail Secure
 Power OFF unlocks outside lever
 Power ON locks outside lever
 Key retracts latch at all times

10G71 Fail Secure
 Power ON unlocks outside lever
 Power OFF locks outside lever
 Key retracts latch at all times

Install 10U93



Install 10U94/10U94-2



Copyright © 2012, 2016-2017, Sargent Manufacturing Company, an ASSA ABLOY Group company. All rights reserved. Reproduction in whole or in part without the express written permission of Sargent Manufacturing Company is prohibited. Patent pending and/or patent www.assaabloyds.com/patents.