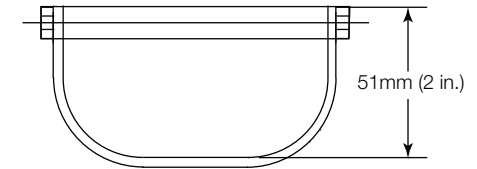
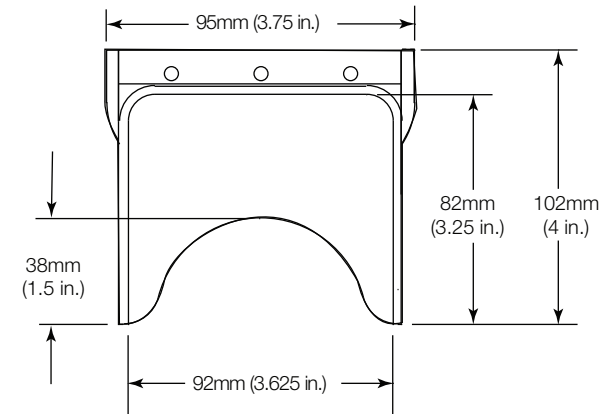


SPACER ORIENTATION



TOP VIEW



FRONT VIEW

INSTALLATION NOTES

1. Remove backing paper and center gasket (#82599) left to right around lock with surface "B" against top of lock.
2. Center spacer 1015980 with bottom of spacer lying on surface "A" of gasket.
3. Using spacer as template, mark and drill three (3) 3/16in. DIA holes. Complete assembly as shown.

Optional: If rawl plugs are not required use spacer as template, mark and drill (3) holes using a #36 drill size.

CLEANING INSTRUCTIONS

Rinse cover with water to remove abrasive dust and dirt.
Wash with soap or mild detergent using a soft cloth. (DO NOT SCRUB.)
Rinse once more, then dry with a soft cloth or chamois.
To remove grease or wet paint, rub gently with a cloth wetted thoroughly with naphtha, then wash and rinse. (DO NOT USE RAZORBLADES.)

Three year warranty or a one year limited warranty (from date of purchase) on most products. See website for details. Electronic warranty form at www.sti-usa.com/wc14.



**ADA
Compliant**

INSTALLATION OF STI-6516 MINI BOPPER STOPPER®

All specifications and information shown were current as of publication and are subject to change without notice.