

SARGENT 351 DOOR CLOSERS WITH CPS/CPSH ARMS INSTALLATION INSTRUCTIONS

SARGENT
ASSA ABLOY

351 ADJUSTABLE FROM SIZE 1 THRU 6

CAUTION: FAILURE TO INSTALL OR ADJUST PROPERLY MAY RESULT IN INJURY OR DAMAGE. FOR ASSISTANCE CALL SARGENT AT 1-800-727-5477.

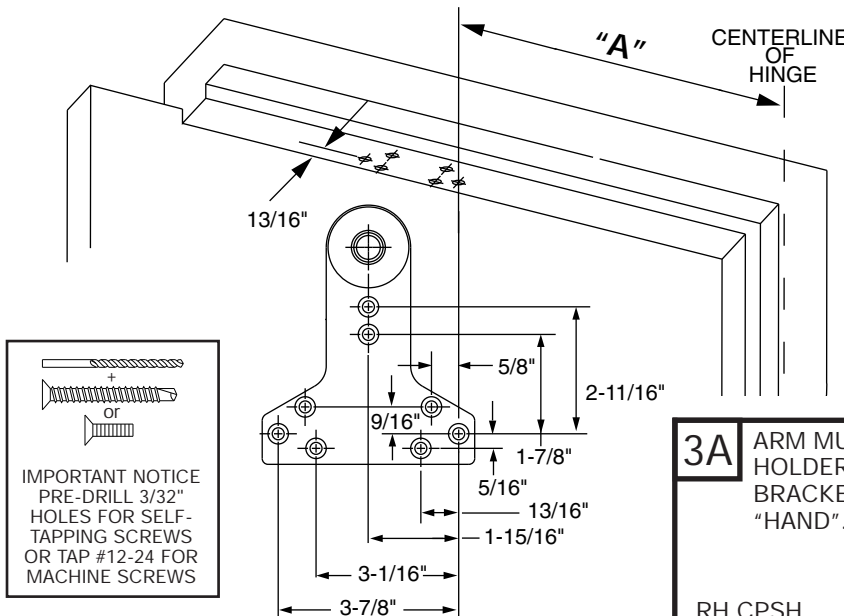
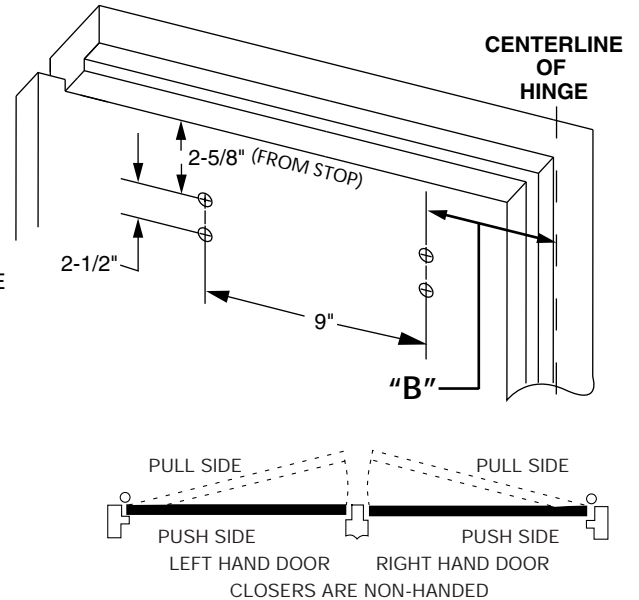
ASSA ABLOY, the global leader in door opening solutions

1 DETERMINE MAXIMUM DEGREE OF OPENING OR HOLD OPEN (CPSH) REQUIRED. DRILL AND TAP DOOR AND FRAME FOR #12-24 MACHINE SCREWS. WHEN USING SELF TAPPING SCREWS PROVIDED, PREDRILL WITH A 3/32" DRILL.

DEGREE OF DOOR OPENING AT "HOLD OPEN" ■

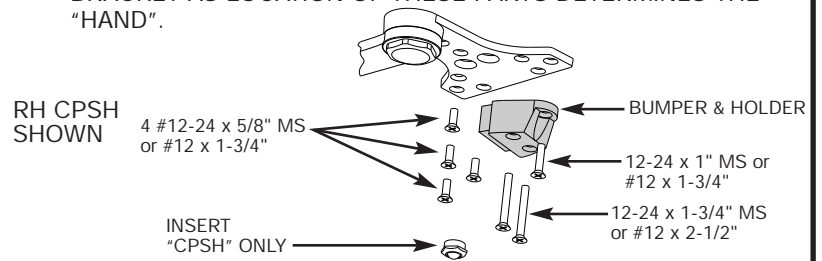
	85°	90°	95°	100°	105°	110°
DIM. "A"	9-1/2"	8-3/4"	8-1/8"	7-9/16"	7-1/16"	6-5/8"
DIM. "B"	10-3/16"	9-7/16"	8-13/16"	8-1/4"	7-3/4"	7-5/16"

■ DIMENSIONS FOR GIVEN DEGREE BASED ON 4-1/2" HINGE. WHEN 3-1/2" TO 6" HINGES ARE USED, HOLD OPEN ANGLE WILL CHANGE BY LESS THAN 1/2°. DEAD STOP OCCURS 3° BEYOND HOLD OPEN.

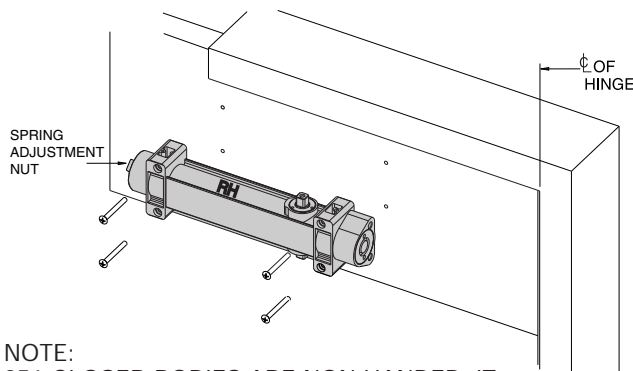


IMPORTANT NOTICE
PRE-DRILL 3/32" HOLES FOR SELF-TAPPING SCREWS OR TAP #12-24 FOR MACHINE SCREWS

3A ARM MUST BE THE SAME HAND AS THE DOOR. ASSEMBLE THE HOLDER WITH BUMPER & INSERT (CPSH ONLY) TO FOOT BRACKET AS LOCATION OF THESE PARTS DETERMINES THE "HAND".



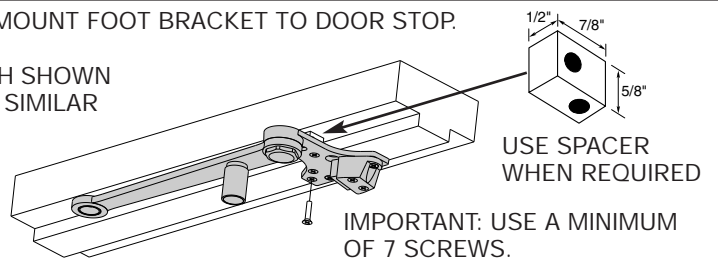
2 INSTALL DOOR CLOSER TO DOOR WITH SPRING ADJUSTMENT NUT AWAY FROM HINGE.



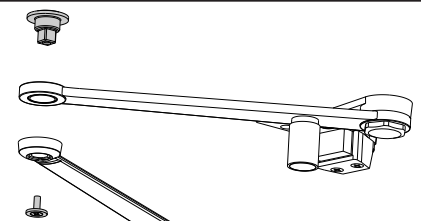
NOTE:
351 CLOSER BODIES ARE NON HANDED. IT IS IMPORTANT THAT THE CLOSER BODY IS INSTALLED WITH "RH" SYMBOL AT TOP FOR RIGHT HAND DOORS, "LH" SYMBOL AT TOP FOR LEFT HAND DOORS.

3B MOUNT FOOT BRACKET TO DOOR STOP.

CPSH SHOWN
CPS SIMILAR

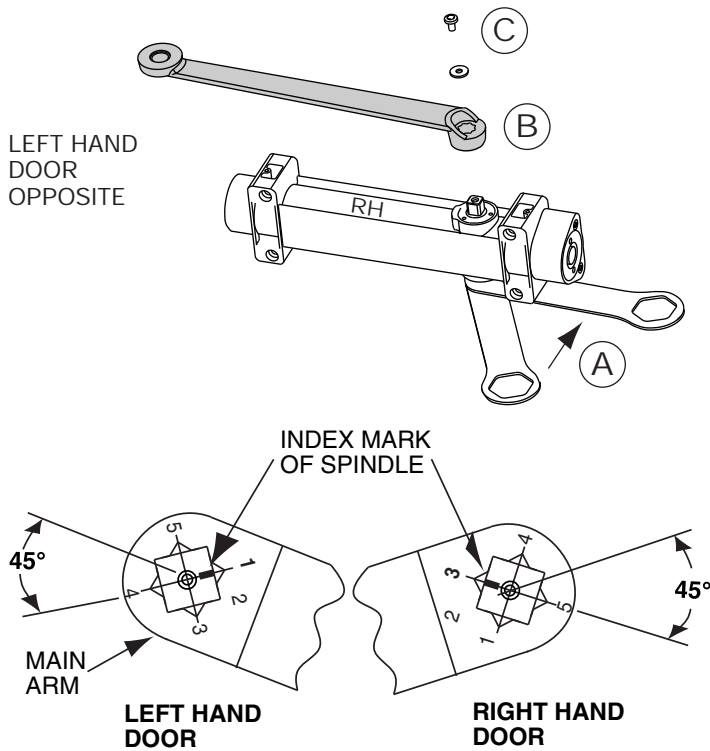


3C ALTERNATE: PREASSEMBLE ARMS PRIOR TO ATTACHING TO STOP.



4

- * A. ROTATE BOTTOM SPINDLE 45° WITH WRENCH.
- B. ASSEMBLE MAIN ARM WITH INDEX MARK POSITIONED AS SHOWN.
- C. SECURE WITH SCREW AND WASHER.



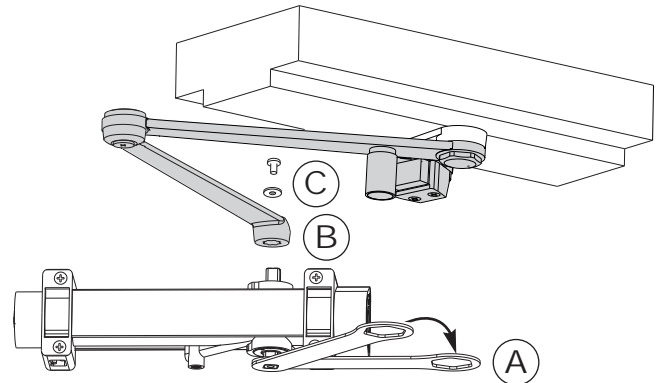
!! * WARNING: IF NOT PROPERLY INDEXED, DOOR CLOSER WILL NOT FUNCTION PROPERLY. !!

4A

SARGENT

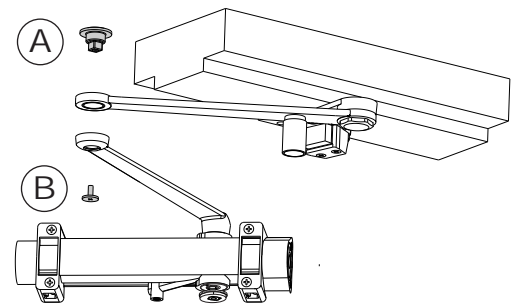
ASSA ABLOY

ALTERNATE METHOD:
ATTACH PREASSEMBLED ARM.



5

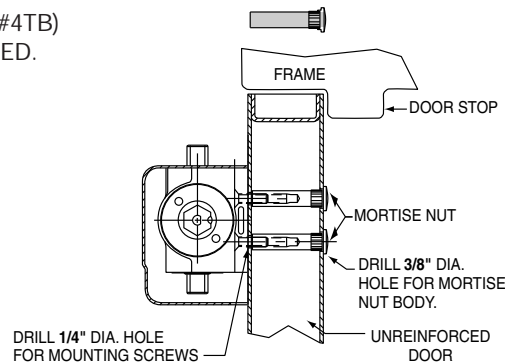
- A. OPEN DOOR AND INSTALL PIVOT AS SHOWN.
- B. USE SCREW TO SECURE PIVOT AND ARMS AS SHOWN.



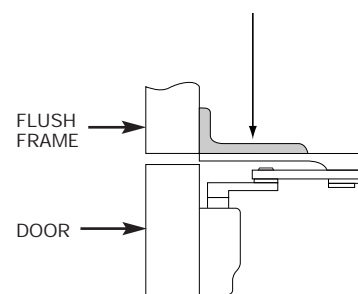
ACCESSORIES

OPTIONAL: USE MORTISE NUTS (#4TB) WHEN THRU-BOLTING IS REQUIRED.

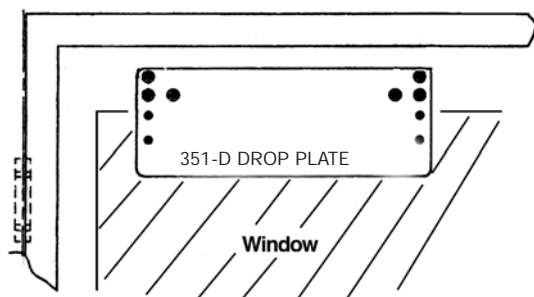
SEE PAGE 1 FOR TEMPLATING DIMENSIONS



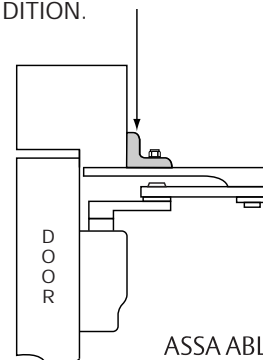
125 VF BRACKET FOR FLUSH FRAME AND DOOR CONDITION.



351-D DROP PLATE USED WITH NARROW TOP RAILS.



125 V BRACKET FOR NARROW FRAME CONDITION.



2

A7345B

Copyright © 2005, 2008, Sargent Manufacturing Company, an ASSA ABLOY Group company. All rights reserved. Reproduction in whole or in part without the express written permission of Sargent Manufacturing Company is prohibited.

ASSA ABLOY, the global leader in door opening solutions

6 FINAL ADJUSTMENT AND REGULATING PROCEDURES

MINIMUM RECOMMENDED DOOR CLOSING TIME IS 6 SECONDS FOR DOORS OPENED TO 90 DEGREES. USE 1/8" HEX (ALLEN) WRENCH TO ADJUST VALVES AS NEEDED.

CLOSING AND LATCHING SPEEDS:

TURN VALVES CLOCKWISE TO SLOW DOWN OR COUNTERCLOCKWISE TO SPEED UP DOOR MOVEMENT

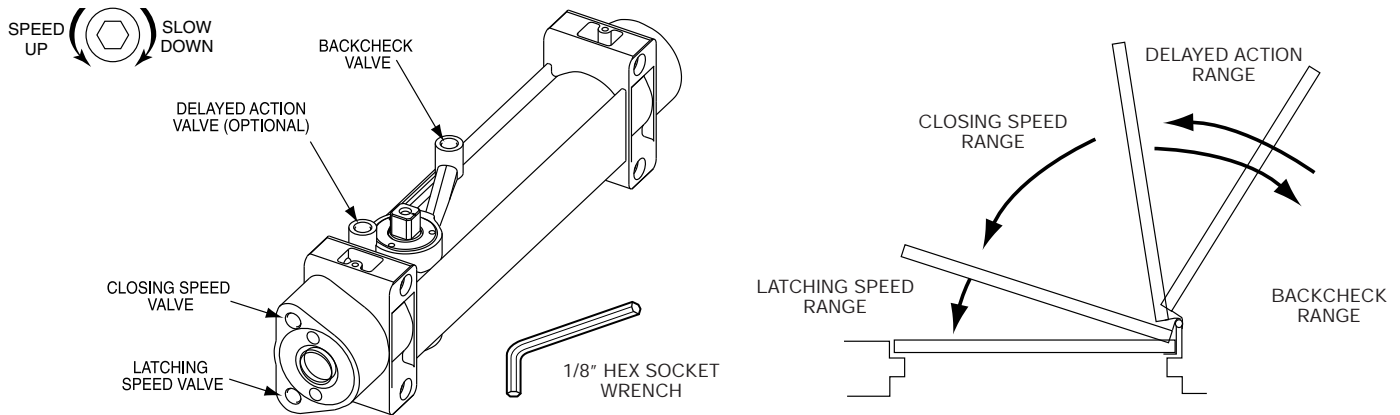
BACKCHECK:

TO REGULATE THE INTENSITY OF BACKCHECK ACTION TURN VALVE CLOCKWISE TO INCREASE OR COUNTERCLOCKWISE TO DECREASE CHECKING.

CAUTION: SET VALVE FOR SLIGHT CUSHIONING EFFECT; CLOSER CAN BE DAMAGED IF THE CHECKING ACTION IS TOO ABRUPT. NEVER USE THE BACKCHECK AS A DOOR STOP. ALWAYS USE A DOOR STOP TO STOP THE DOOR.

DELAYED ACTION FEATURE (OPTIONAL FEATURE ON SOME MODELS):

"DELAYED ACTION" PROVIDES SLOW DOOR CLOSING THROUGH THE DELAYED ACTION RANGE. TURN VALVE CLOCKWISE TO SLOW DOWN OR COUNTERCLOCKWISE TO SPEED UP DOOR MOVEMENT.

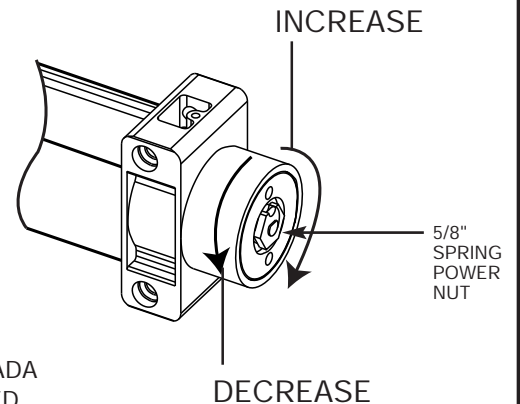


7 ADJUST POWER TO ALLOW DOOR TO CLOSE AND LATCH.

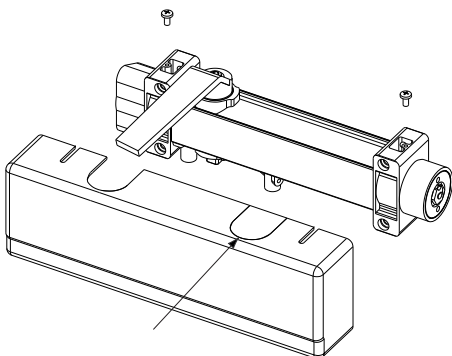
NUMBER OF TURNS OF SPRING POWER ADJUSTING NUT

DOOR WIDTH (INCHES)	EXTERIOR DOORS	♿ INTERIOR DOORS
24-30	TURN nut 1-3 ↙	TURN nut 1-3 ↙
30-36	FACTORY SET	FACTORY SET
36-42	TURN nut 1-4 ↘	TURN nut 1-3 ↘
42-48	TURN nut 7-9 ↘	TURN nut 4-6 ↘

ADJUSTING DOOR TO CLOSE DUE TO HIGH DRAFT CONDITIONS MAY EXCEED ADA STANDARDS. CONSULT LOCAL ORDINANCES WHEN FIRE DOORS ARE INVOLVED.

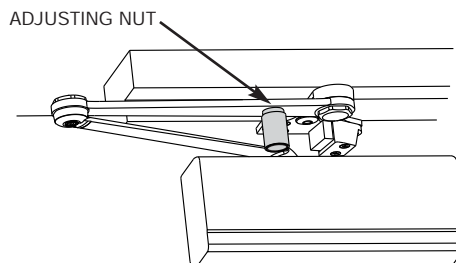


8 INSTALL COVER AS SHOWN.



ASSA ABLOY, the global leader
in door opening solutions

9 TO ADJUST HOLDER ARM (CPSH ONLY)
ALL CPSH ARMS ARE SHIPPED NON-HOLD OPEN FROM THE FACTORY. TO SET IN HOLD OPEN, TURN THE ADJUSTING NUT APPROXIMATELY 1-1/2 TURNS CLOCKWISE.

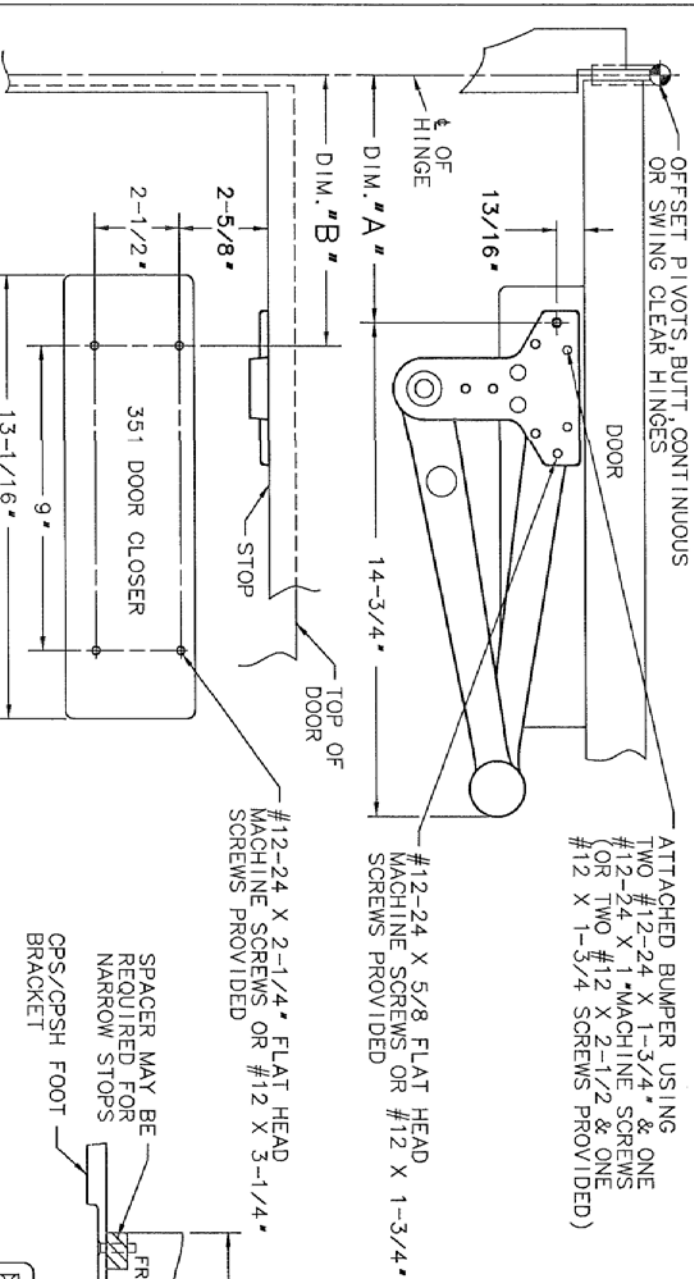


Copyright © 2005, 2008, Sargent Manufacturing Company, an ASSA ABLOY Group company. All rights reserved. Reproduction in whole or in part without the express written permission of Sargent Manufacturing Company is prohibited.

A7345B

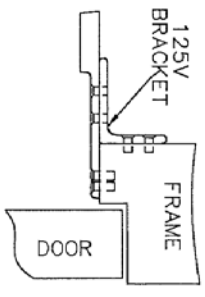
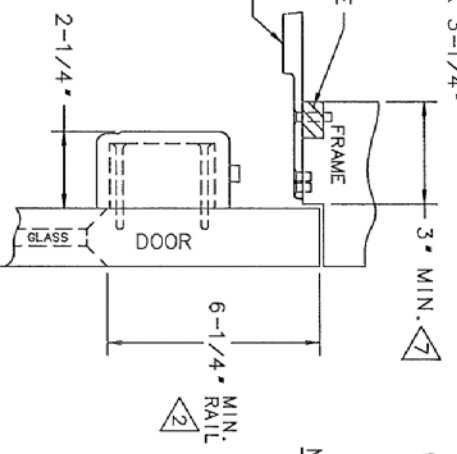
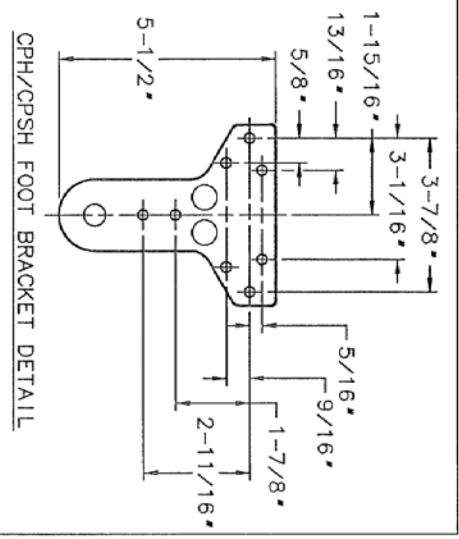
3

DEGREE OF DOOR OPENING AT HOLD OPEN					
85°	90°	95°	100°	105°	110°
DIM. "A" 9-1/2"	8-3/4"	8-1/8"	7-9/16"	7-1/16"	6-5/8"
DIM. "B" 10-3/16"	9-7/16"	8-13/16"	8-1/4"	7-3/4"	7-5/16"



NOTES:

1. REINFORCE METAL DOORS AND FRAMES PER ANSI A250.8 AND SD1-100 STANDARDS, 12 GAUGE RECOMMENDED.
 2. FOR THIN RAIL DOORS, USE 351-D PLATE, SEE DATA SHEET A6745.
 3. LEFT HAND DOOR SHOWN, RIGHT HAND OPPOSITE.
 4. DIMENSIONS "A" & "B" ARE BASED ON A 4-1/2" BUTT HINGE. IF A 3-1/2" OR 6" BUTT HINGE WERE USED, THE HOLD OPEN ANGLE WILL CHANGE BY LESS THAN 1/2°.
 5. DEAD STOP OCCURS APPROX 3" BEYOND HOLD OPEN.
 6. IF DOOR CLOSER BODY INTERFERES WITH LIGHT KIT, USE 351-B PLATE. SEE DATA SHEET A6746 FOR PLATE DIMENSIONS ONLY.
- WHEN SOFFIT IS LESS THAN 3" USE A 125V BRACKET.



SARGENT[®] Manufacturing Company
 100 Sargent Drive New Haven, CT 06511

DATA SHEET: 351 SERIES DOOR CLOSER WITH CPS OR CP SH HEAVY DUTY PARALLEL ARM

EFFECTIVE DATE: AUG, 02

TEMPLATE NO: A7379 B