

PARTS LIST

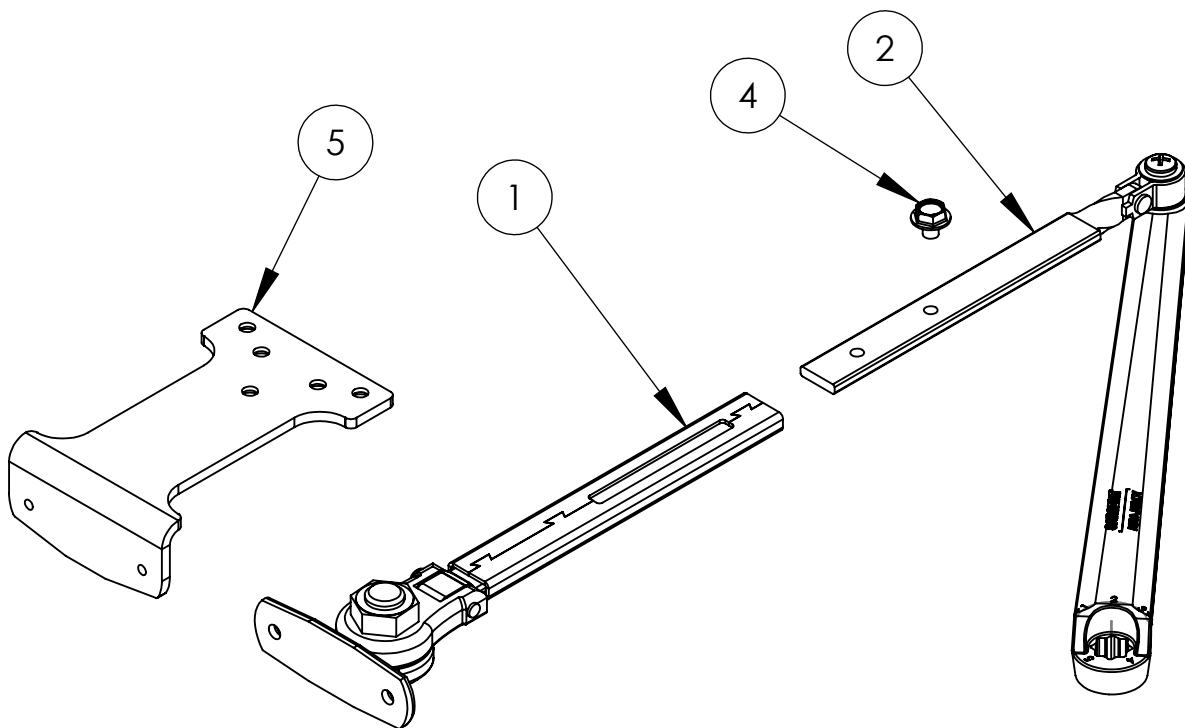
25-H / PH9 "UH" Holder Arm

PARTS LIST

PAGE No. 5 REV. B

3/2011

ITEM No.	PART No.	DESCRIPTION	QTY.
1	*61-2303	FOOT ASSEMBLY	1
2	*63-3070	MAIN ARM & SWIVEL ASSEMBLY	1
3	*64-2407	H ARM MOUNTING SCREW PACK (NOT SHOWN)	1
4	*61-0308	SWIVEL ARM SCREW	1
5	*125-PH9	FOOT BRACKET (ONLY USE FOR PH9 HOLDER ARM)	1



* FINISH REQUIRED: POWDER COAT FINISHES - EB, EN, ED, EP, EAB
FOR PLATED FINISHES CONSULT FACTORY

© SARGENT Manufacturing Company. An ASSA ABLOY Group Company. All Rights reserved.

SARGENT®
ASSA ABLOY