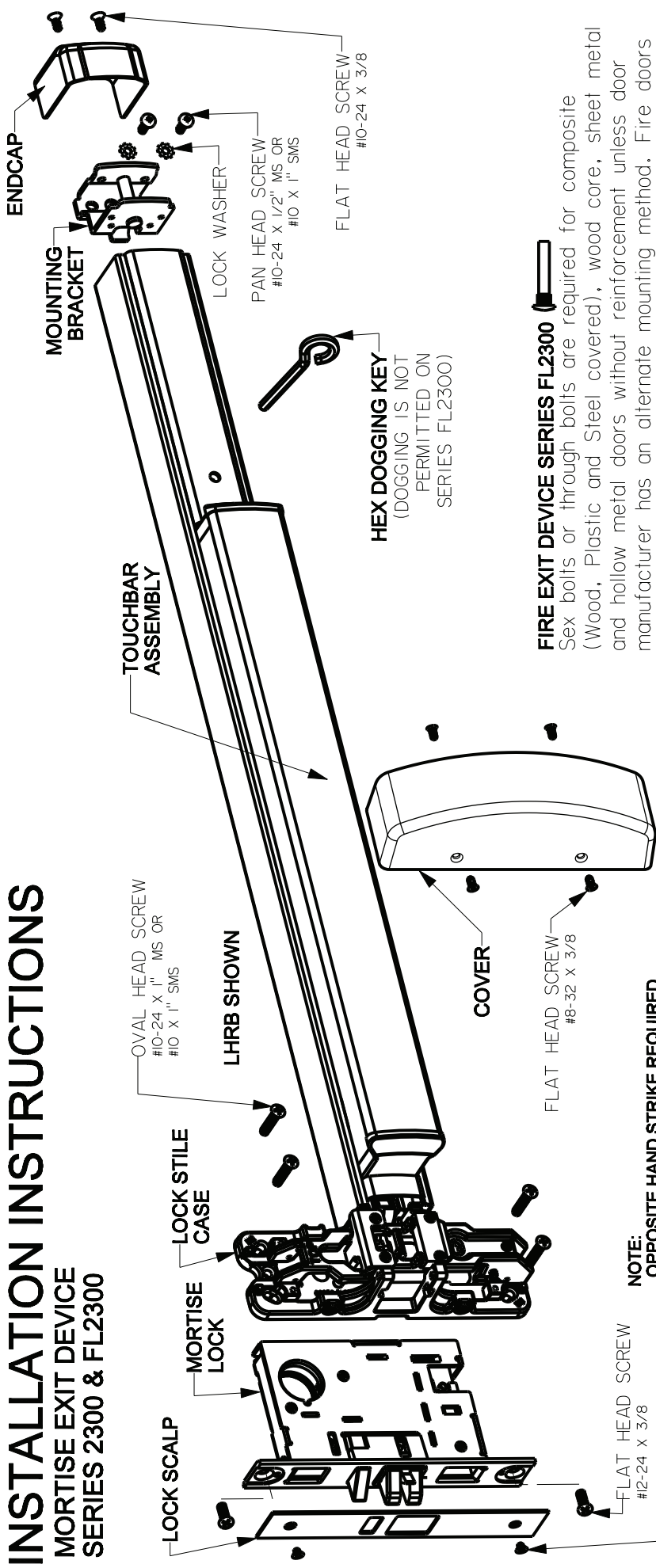


INSTALLATION INSTRUCTIONS

MORTISE EXIT DEVICE SERIES 2300 & FL2300

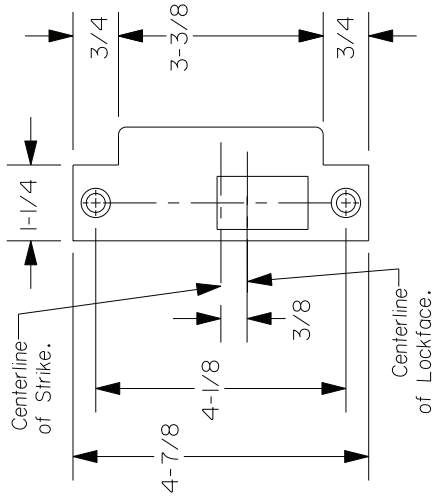


HEX DOGGING KEY
(DOGGING IS NOT PERMITTED ON SERIES FL2300)

FIRE EXIT DEVICE SERIES FL2300
Sex bolts or through bolts are required for composite (Wood, Plastic and Steel covered), wood core, sheet metal and hollow metal doors without reinforcement unless door manufacturer has an alternate mounting method. Fire doors with steel reinforcement, mount devices with machine screws.

NOTE:
OPPOSITE HAND STRIKE REQUIRED FOR COMPLETE REVERSIBILITY

S982 STRIKE
Curved Lip Strike
LHRB Shown



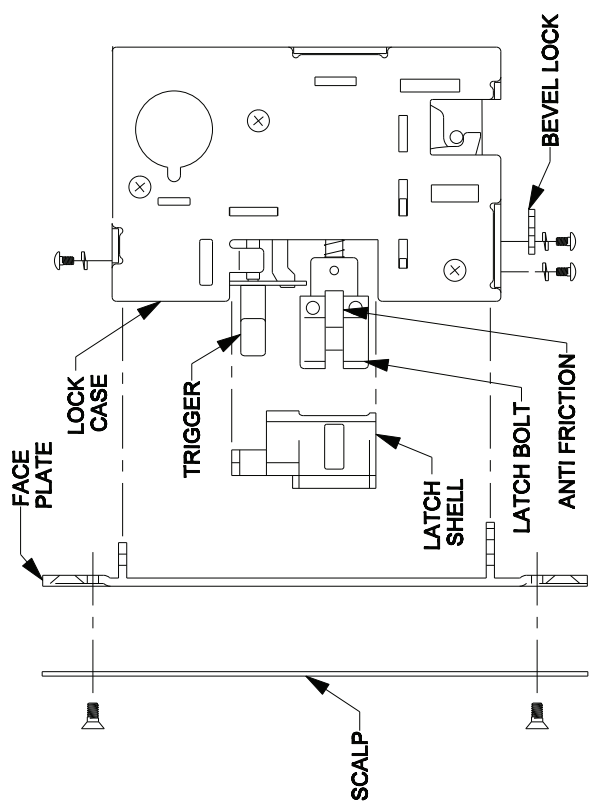
Note: Strike mounting screws - 12-24 Flat Head M.S.

TO CHANGE LOCK HAND:

1. Remove FACE PLATE and BEVEL LOCK by removing 3 screws.
2. Remove LATCH SHELL from LOCK CASE, rotate LATCHBOLT and TRIGGER 180°. Tip ANTI-FRICTION in the LATCHBOLT forward and insert LATCH SHELL into the LOCK CASE.
3. Insert FACE PLATE into the LOCK CASE and secure it with 2 screws and lock washers as shown.
4. Position BEVEL LOCK for the required setting as listed below and attach it with a screw and lock washer.

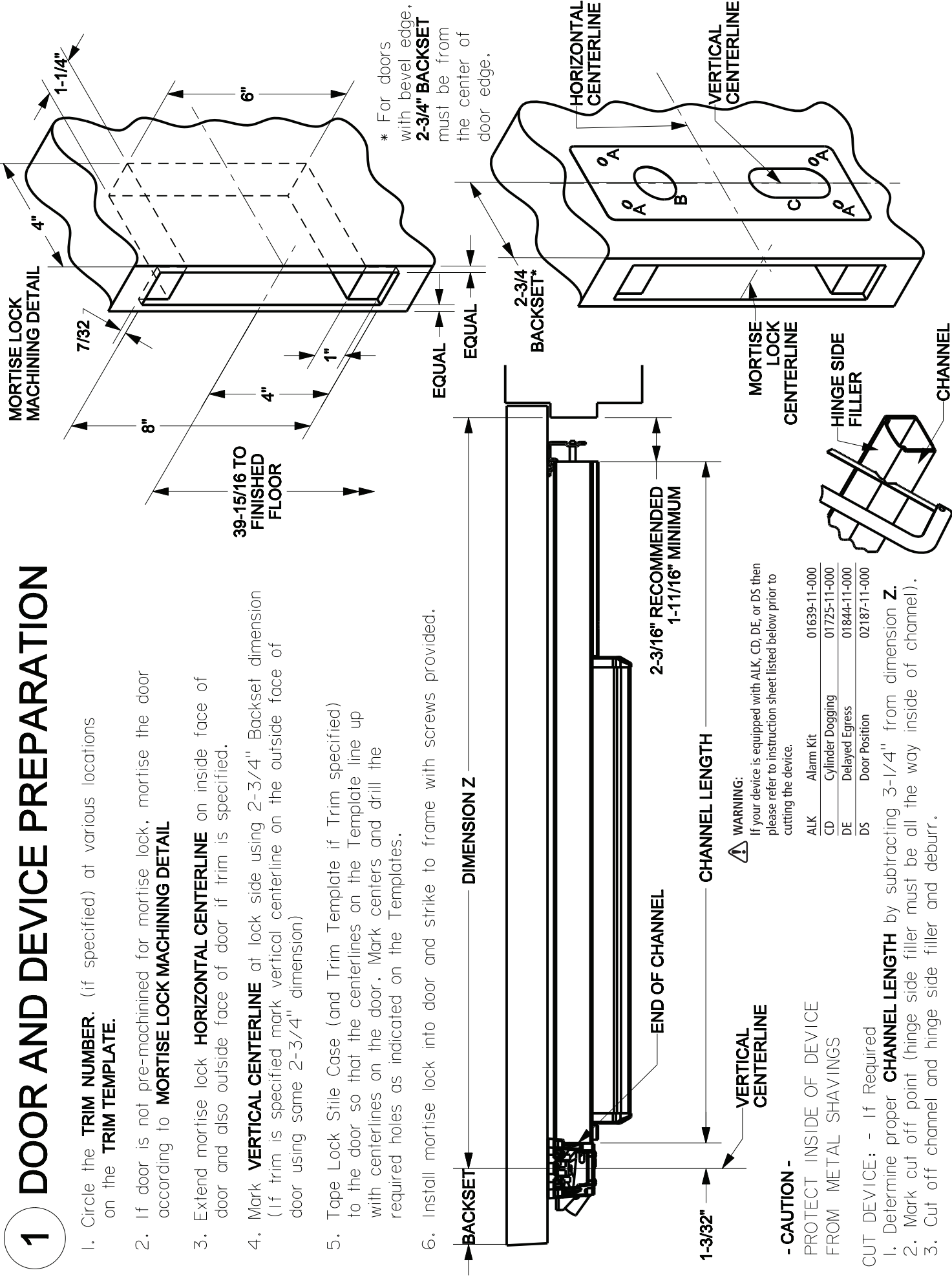
BEVEL LOCK SETTINGS:

- LHRB - Left Hand Reverse Bevel
- RHRB - Right Hand Reverse Bevel
- F - Flat Face



1 DOOR AND DEVICE PREPARATION

1. Circle the **TRIM NUMBER**. (if specified) at various locations on the **TRIM TEMPLATE**.
2. If door is not pre-machined for mortise lock, mortise the door according to **MORTISE LOCK MACHINING DETAIL**.
3. Extend mortise lock **HORIZONTAL CENTERLINE** on inside face of door and also outside face of door if trim is specified.
4. Mark **VERTICAL CENTERLINE** at lock side using 2-3/4" Backset dimension (if trim is specified mark vertical centerline on the outside face of door using same 2-3/4" dimension)
5. Tape Lock Stile Case (and Trim Template if Trim specified) to the door so that the centerlines on the Template line up with centerlines on the door. Mark centers and drill the required holes as indicated on the Templates.
6. Install mortise lock into door and strike to frame with screws provided.



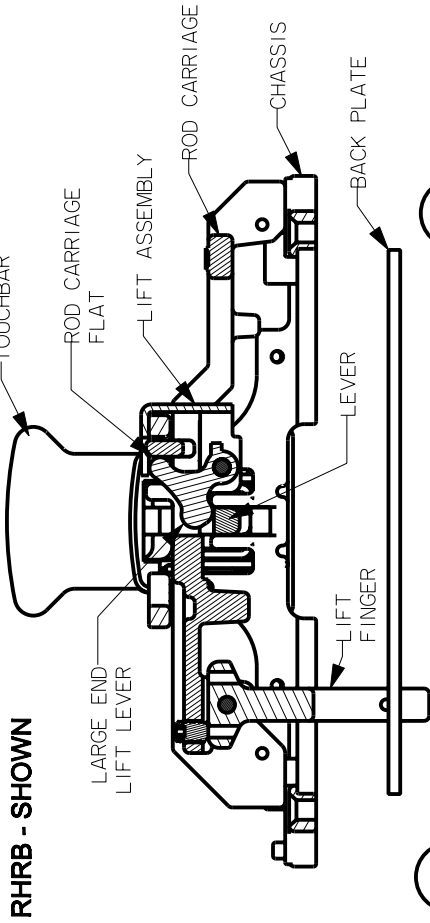
WARNING:
If your device is equipped with ALK, CD, DE, or DS then please refer to instruction sheet listed below prior to cutting the device.

ALK	Alarm Kit	01639-11-000
CD	Cylinder Dogging	01725-11-000
DE	Delayed Egress	01844-11-000
DS	Door Position	02187-11-000

- CAUTION -
PROTECT INSIDE OF DEVICE FROM METAL SHAVINGS

CUT DEVICE: - If Required
1. Determine proper **CHANNEL LENGTH** by subtracting 3-1/4" from dimension **Z**.
2. Mark cut off point (hinge side filler must be all the way inside of channel).
3. Cut off channel and hinge side filler and deburr.

INSTRUCTIONS TO CHANGE HAND

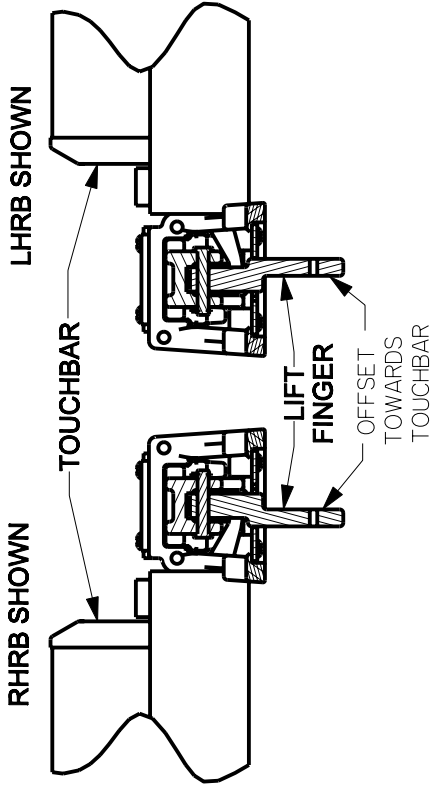


1

- Remove **BACK PLATE** (4 Screws)
- Place device on a bench so the **DEVICE CHASSIS** is off the edge.
- Remove **LIFT FINGER** (Pin and Retaining Ring)
- Remove **LIFT ASSEMBLY** (2 Screws)

4

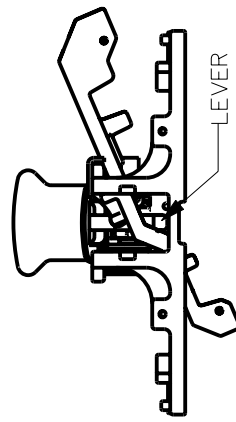
- Insert **LIFT ASSEMBLY** into the **ROD CARRIAGE**, making sure that the **LARGE END** of the **LIFT LEVER** is on top of the **LEVER** and the other end is against the **ROD CARRIAGE FLAT**. Attach it with 2 screws.



5

- Secure **LIFT FINGER** with pin and retaining ring making sure the offset is towards the touchbar. (as shown above)
- Secure **BACK PLATE** with 4 screws

2



- Slide **ROD CARRIAGE** end marked **TOP** toward lever, **ROD CARRIAGE** will begin to fall.

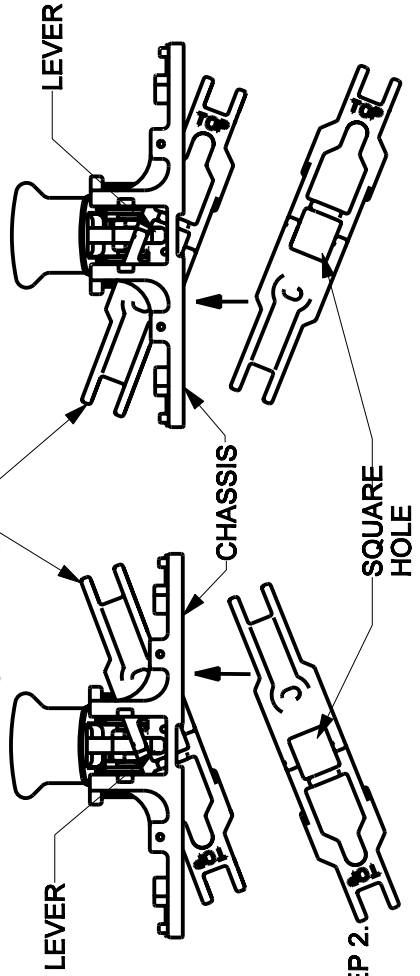
3

- Rotate **ROD CARRIAGE** until it falls out.
- Insert bottom end of **ROD CARRIAGE** into the opposite side of the chassis as shown.
- With the **LEVER** in the **SQUARE HOLE**. Rotate **ROD CARRIAGE** 90° so it is in the same position as **STEP 2**.
- Push up and slide the **ROD CARRIAGE** onto the chassis.

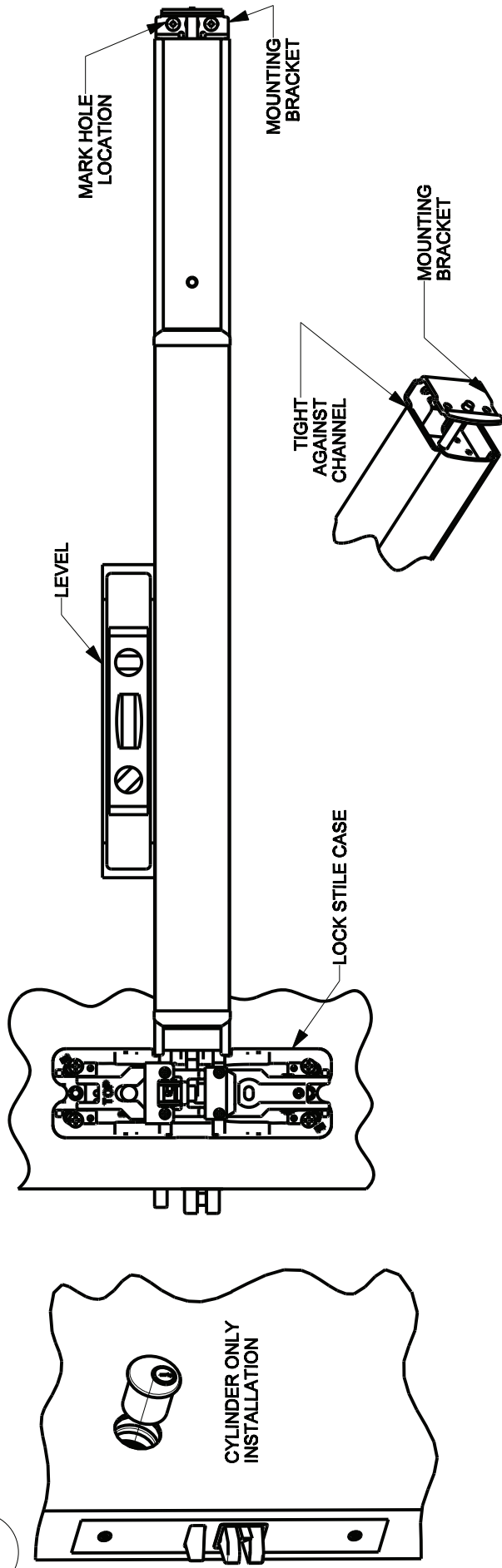
LHRB SHOWN

BOTTOM END OF ROD CARRIAGE

RHRB SHOWN

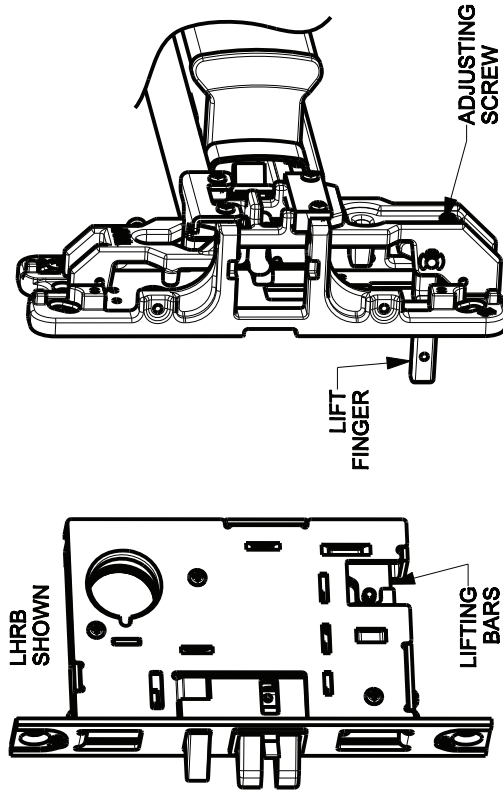


2 APPLY DEVICE



NOTE: If Trim is specified: See the Trim installation instructions packaged with the trim. If the Exit Device has Electrical or other options see specific option instructions packaged in exit device carton.

1. Lock Stile Case Mounting
DEVICE WITH TRIM - See Trim instructions
CYLINDER ONLY - Install Mortise Cylinder into mortise lock as shown. Check key operation and secure cylinder in place by tightening Cylinder Set Screw in lock case. With device finger below the lifting bars, mount Lock Stile Case with 4 screws.
EXIT ONLY - With device finger below the lifting bars, mount Lock Stile Case to the door with 4 screws.
2. CHECK OPERATION Latchbolt should be fully extended when touchbar is in extended position. Latchbolt should be fully retracted when touchbar is depressed or device is dogged down. If above condition does not exist, adjust lift finger with adjusting screw.
3. Insert **MOUNTING BRACKET** into touch bar assembly tight against channel. Level device, mark and drill 2 holes for #10 sheet metal screws or #10-24 machine screws. Fasten **MOUNTING BRACKET** to door and attach **ENDCAP** with 2 screws.
4. Attach cover to lock stile case. Attach lock scalp to lock faceplate.



STANLEY

phi

DRWG 01810-11-000 DATE 10/2014 REVISION C

Precision Hardware
 a Division of Stanley Security Solutions, Inc.
 www.stanleysecuritysolutions.com