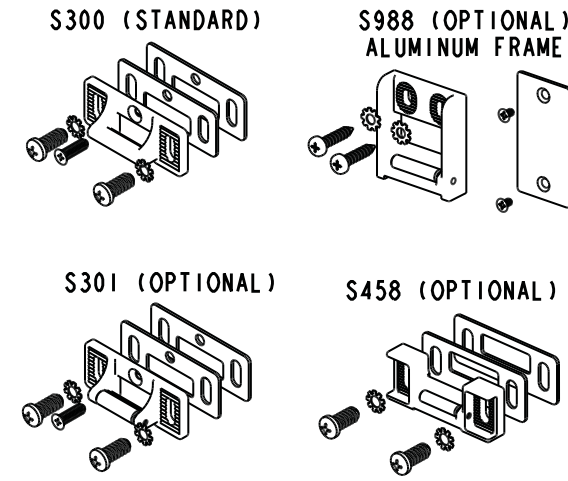
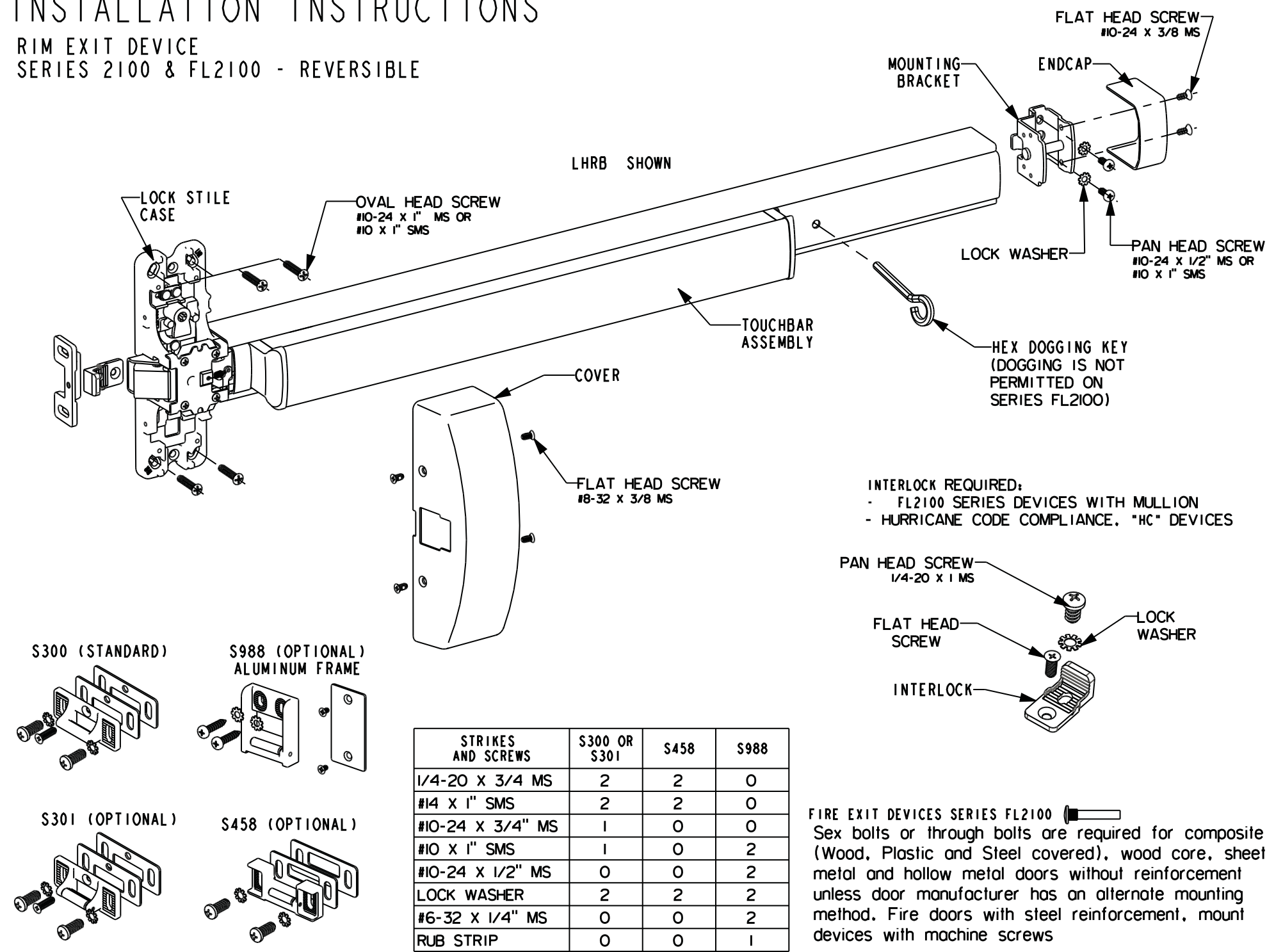


# INSTALLATION INSTRUCTIONS

RIM EXIT DEVICE  
SERIES 2100 & FL2100 - REVERSIBLE



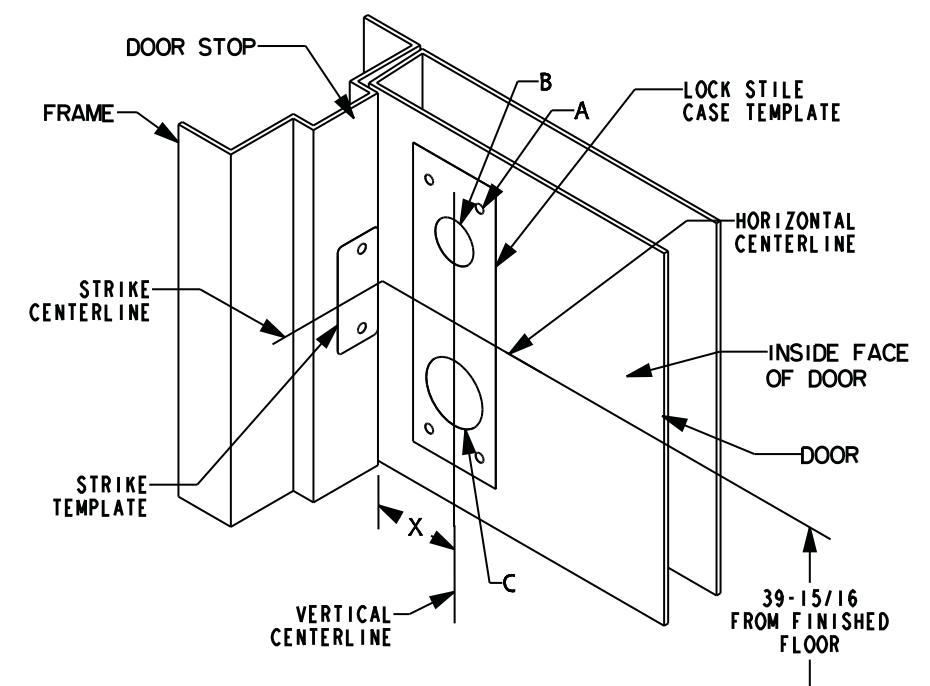
STRIKES AND SCREWS	S300 OR S301	S458	S988
1/4-20 X 3/4 MS	2	2	0
#14 X 1" SMS	2	2	0
#10-24 X 3/4" MS	1	0	0
#10 X 1" SMS	1	0	2
#10-24 X 1/2" MS	0	0	2
LOCK WASHER	2	2	2
#6-32 X 1/4" MS	0	0	2
RUB STRIP	0	0	1

INTERLOCK REQUIRED:  
- FL2100 SERIES DEVICES WITH MULLION  
- HURRICANE CODE COMPLIANCE, "HC" DEVICES

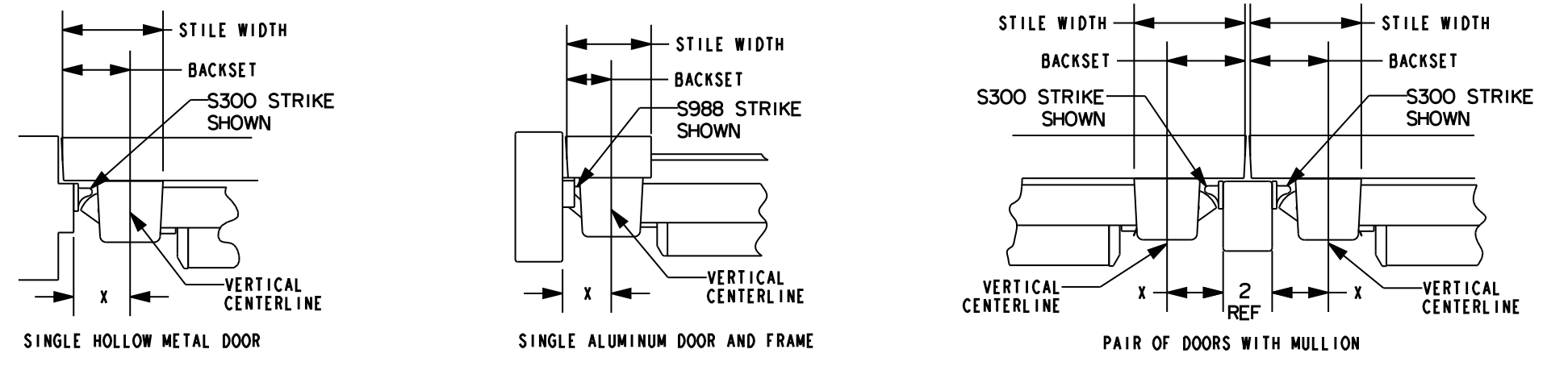
FIRE EXIT DEVICES SERIES FL2100  
Sex bolts or through bolts are required for composite (Wood, Plastic and Steel covered), wood core, sheet metal and hollow metal doors without reinforcement unless door manufacturer has an alternate mounting method. Fire doors with steel reinforcement, mount devices with machine screws

## 1 DOOR PREPARATION

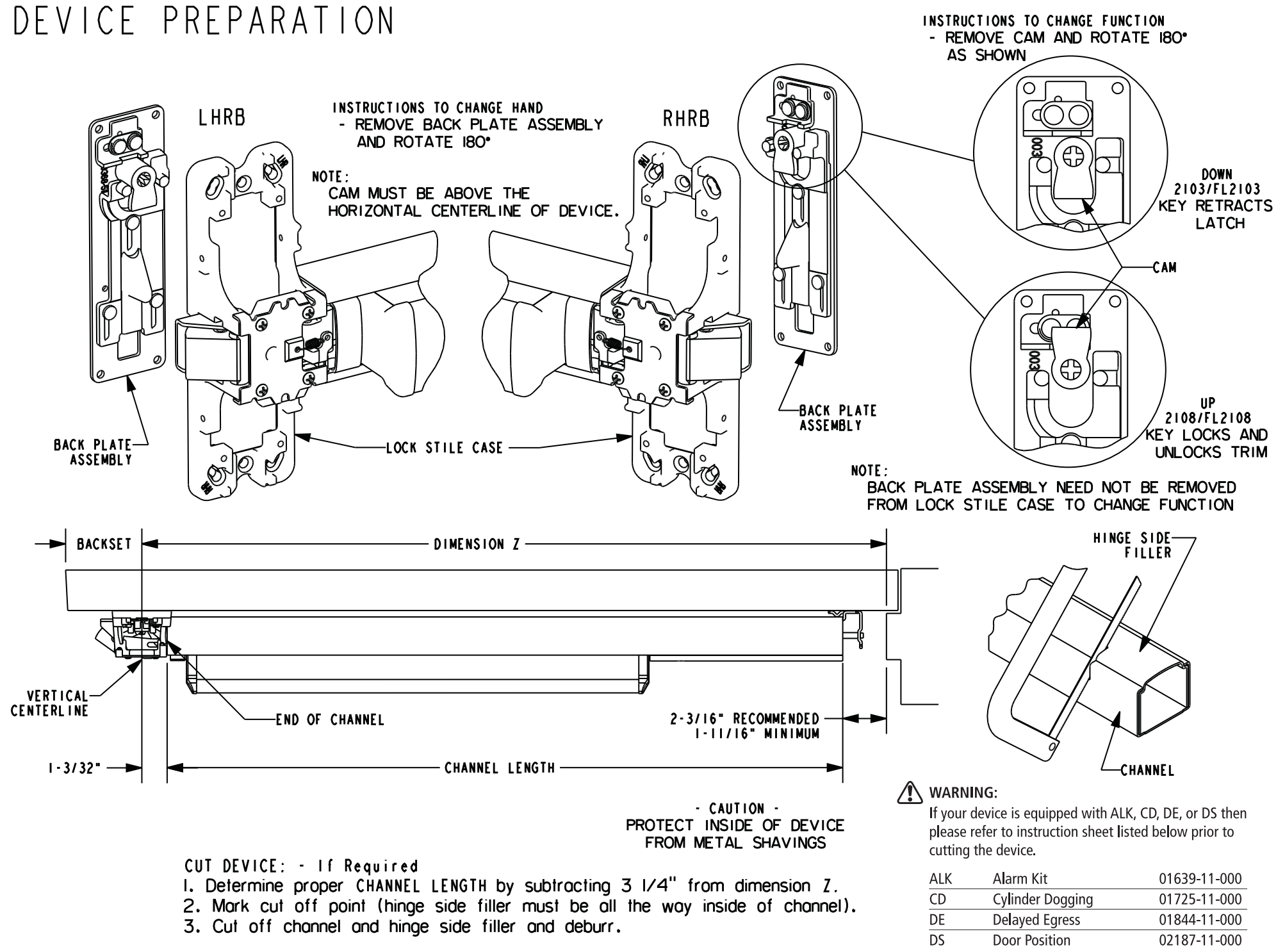
- Circle the following: STRIKE NUMBER, Dimension "X", and BACKSET in the chart below. TRIM NUMBER, (if specified) at various locations (holes B and C) on the TRIM TEMPLATE.
- Close door. Mark HORIZONTAL CENTERLINE on inside face of door and on lock side DOOR STOP 39-15/16" from finish floor as shown, or as required for the specific installation. (Continue horizontal centerline to outside face of door if trim is specified)
- Mark VERTICAL CENTERLINE at lock side using dimension "X". (If trim is specified mark vertical centerline on the outside face of door using backset dimension)  
CAUTION: Vertical centerlines on both sides of the door should be the same dimension from the edge of the door.
- Tape Lock Stile Case Template (and Trim Template if Trim specified) to the door so that the centerlines on the template line up with centerlines on the door. Mark centers and drill the required holes as indicated on the templates.
- Fold Strike Template and place on door stop or mullion and inside face of door, so the horizontal centerline on template lines up with the horizontal centerline on door stop and door. Tape template on the door stop or mullion and the door face. Mark centers and drill holes as indicated on the template.



STRIKE No.	SINGLE DOOR			PAIR OF DOORS WITH MULLION	
	S300 S301	S458	S988 ALUMINUM	S300 S301	S458
DIMENSION X	2-1/4	2-1/16	2-1/16	2-1/4	2-1/16
BACKSET	2-3/4	2-9/16	1-15/16	3-1/8	2-15/16
STILE WIDTH	4-1/4 MIN	4 MIN	3-1/2 MIN	4-5/8 MIN	4-3/8 MIN



## DEVICE PREPARATION



## 2 APPLY DEVICE

