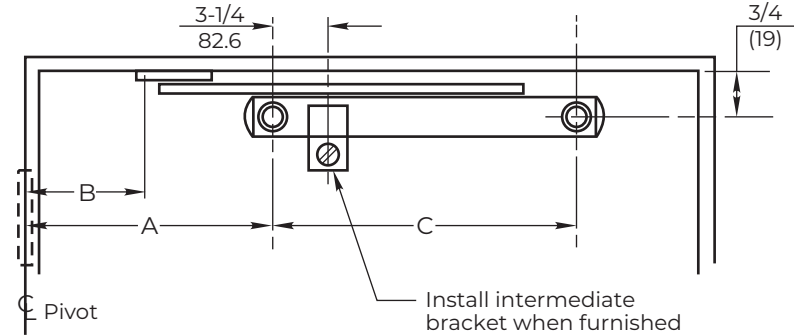


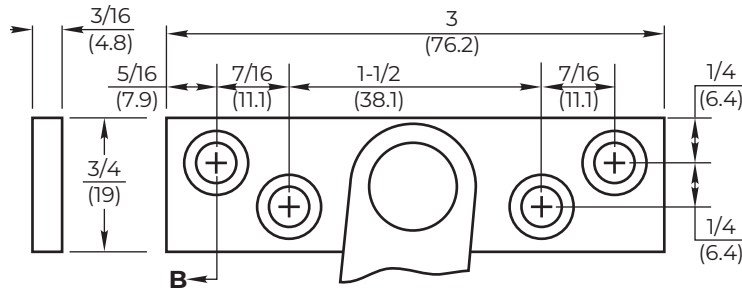
5. Install channel on door with "A" dimension sex bolt. Locate "C" dimension sex bolt hole making sure that channel is horizontal and parallel with stop strip. Drill 5/16 (7.9) dia. sex bolt hole and finish installing holder.



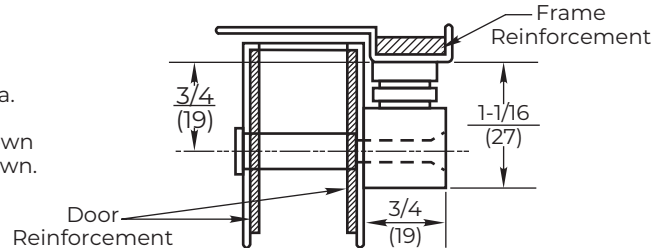
INSTALLATION INSTRUCTIONS

1. Select and determine degree of hold open or dead stop from chart on back side of page.
2. Locate "A" and "B" dimensions on door and frame.

3. Install jamb bracket on stop strip as shown.



4. Position channel on door with shock end located towards pivot. Drill 5/16 (7.9) dia. sex bolt hole, "A" dimension, 3/4 (19) down from stop strip as shown.

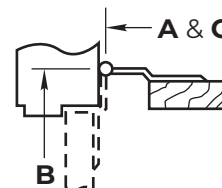


Notes:

- ! All hollow metal frames should be properly reinforced with 3/16" (4.8) min. thickness x 12" (304.8) min. length reinforcement plates.
- ! All hollow metal doors should be properly reinforced.
- ! All drilling and tapping to be done by field men.
- ! Suggest mounting door stop or holder first and then other hardware to clear. Contact factory if interference results with other hardware.
- ! Jamb bracket to be on same centerline as channel.
- ! Intermediate bracket #12 x 3/4" FSMS.
- ! All dimensions are given in inches (mm).

Caution:

Note location of swing clear hinge centerline to determine "A" and "B" dimensions.



Screw Details	
Jamb	Door
#12-24 x 1/2" FHMS or #12 x 1-1/2" FHWS (4 Places)	#12-24 x 1-1/2" FHMS and 5/16" Dia. Sex Bolt (2 Places)

**No. 55 Surface Mount
With Bracket Pull Side Mount
Door Stops and Holders**

Approved 2022-08-01



TEMPLATE NUMBER	SHEET	REV	DATE
OH80085	1 of 2	3	06/22

No. 55 Series Surface Mounted Door Stops and Holders

1. See other side for installation instructions.
2. Select proper dimensions noted below.
3. All drilling and tapping to be done by field man.
4. All dimensions given in inches (mm).
 Metric = decimal (numerator divided by denominator) x 25.4.

Reversible, non-handed.

H.O. = Hold Open
 D.S. = Dead Stop

	Device Number		Degree	85°				90°				95°				100°				105°				110°				C
				H.O.		D.S.		H.O.		D.S.		H.O.		D.S.		H.O.		D.S.		H.O.		D.S.		H.O.		D.S.		
	H.O.	Stop	Door Opening	A	B	A	B	A	B	A	B	A	B	A	B	A	B	A	B	A	B	A	B	A	B	A	B	
1-3/4 - 2-1/4 (44.5 - 57.2) Butts & 3/4 (19) Offset Pivot	55-126	55-136	18 - 24	2-1/4	4-5/8	2-7/8	4-5/8	1-15/16	4-5/16	2-9/16	4-5/16	1-5/8	4	2-1/4	4	1-3/8	3-3/4	2	3-3/4	1-3/16	3-9/16	1-13/16	3-9/16	-	-	1-9/16	3-5/16	13-11/16
	55-226	55-236	24-1/16 - 30	6-7/16	5-11/16	7-1/16	5-11/16	6-1/16	5-5/16	6-11/16	5-5/16	5-11/16	4-15/16	6-5/16	4-15/16	5-3/8	4-5/8	6	4-5/8	5-1/8	4-3/8	5-3/4	4-3/8	4-7/8	4-3/16	5-1/2	4-3/16	14-13/16
	55-326	55-336	30-1/16 - 36	9-9/16	7-1/4	10-3/16	7-1/4	9-1/8	6-13/16	9-3/4	6-13/16	8-11/16	6-3/8	9-5/16	6-3/8	8-5/16	6	8-15/16	6	8	5-11/16	8-5/8	5-11/16	7-11/16	5-3/8	8-5/16	5-3/8	16-5/8
	55-426	55-436	36-1/16 - 42	13-3/16	9-3/8	13-13/16	9-3/8	12-5/8	8-13/16	13-1/4	8-13/16	12-1/16	8-1/4	12-11/16	8-1/4	11-5/8	7-13/16	12-1/4	7-13/16	11-1/4	7-7/16	11-7/8	7-7/16	10-7/8	7-1/16	11-1/2	7-1/16	19-1/8
	55-526	55-536	42-1/16 - 48	17-9/16	11	18-3/16	11	16-7/8	10-5/16	17-1/2	10-5/16	16-1/4	9-11/16	16-7/8	9-11/16	15-3/4	9-3/16	16-3/8	9-3/16	15-1/4	8-11/16	15-7/8	8-11/16	14-7/8	8-5/16	15-1/2	8-5/16	20-7/8
1-3/4 - 2-1/4 (44.5 - 57.2) Center Hung	55-126	55-136	21 - 26-1/2	2-3/4	5-1/8	3-3/8	5-1/8	2-7/16	4-13/16	3-1/16	4-13/16	2-3/16	4-9/16	2-13/16	4-9/16	1-15/16	4-5/16	2-9/16	4-5/16	1-3/4	4-1/8	2-3/8	4-1/8	1-5/8	4	2-1/4	4	13-11/16
	55-226	55-236	26-9/16 - 32	7-1/8	6-3/8	7-3/4	6-3/8	6-11/16	5-15/16	7-5/16	5-15/16	6-3/8	5-5/8	7	5-5/8	6-1/16	5-5/16	6-11/16	5-5/16	5-13/16	5-1/16	6-7/16	5-1/16	5-9/16	4-13/16	6-3/16	4-13/16	14-13/16
	55-326	55-336	32-1/16 - 38	10-3/16	7-7/8	10-13/16	7-7/8	9-3/4	7-7/16	10-3/8	7-7/16	9-5-16	7	9-15/16	7	8-15/16	6-5/8	9-9/16	6-5/8	8-9/16	6-1/4	9-3/16	6-1/4	8-5/16	6	8-15/16	6	16-5/8
	55-426	55-436	38-1/16 - 45	13-7/8	10-1/16	14-1/2	10-1/16	13-1/4	9-7/16	13-7/8	9-7/16	12-3/4	8-15/16	13-3/8	8-15/16	12-5/16	8-1/2	12-15/16	8-1/2	11-7/8	8-1/16	12-1/2	8-1/16	11-9/16	7-3/4	12-3/16	7-3/4	19-1/8
	55-526	55-536	45-1/16 - 48	18-1/4	11-11/16	18-7/8	11-11/16	17-1/2	10-15/16	18-1/8	10-15/16	16-7/8	10-5/16	17-1/2	10-5/16	16-3/8	9-13/16	17	9-13/16	15-7/8	9-5/16	16-1/2	9-5/16	15-1/2	8-15/16	16-1/8	8-15/16	20-7/8

No. 55 Surface Mount With Bracket Pull Side Mount Door Stops and Holders

Approved 2022-08-01



TEMPLATE NUMBER	SHEET	REV	DATE
OH80085	2 of 2	3	06/22