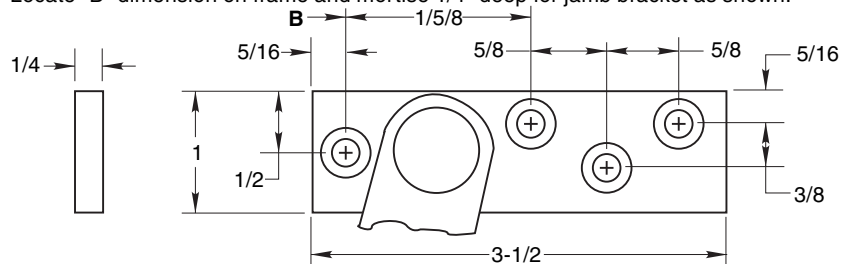


INSTALLATION INSTRUCTIONS

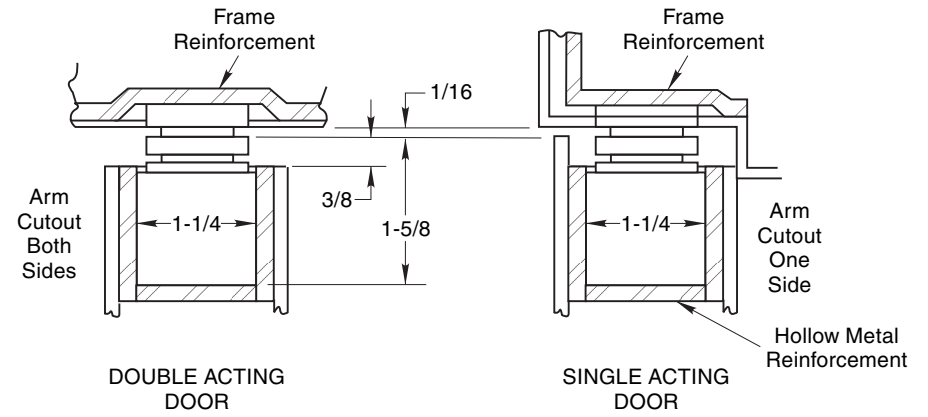
- Determine degree of hold open or dead stop required. Then select proper dimensions from chart on opposite side of page. Add 5/8" to "A" dimension for dead stop.

NOTE: A, B and C dimensions are measured from hinge center, not edge of door.

- Locate "B" dimension on frame and mortise 1/4" deep for jamb bracket as shown.



- Locate "A" and "F" dimensions on centerline of door and mortise 1-5/8" deep for channel. 1/16" head clearance shown. Coordinate the arm and rail cutout dimensions if head clearance varies.



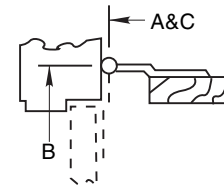
- Drill 1/2" diameter control knob hole for door holders only.
- Locate "C" and "E" dimensions on top of door and mortise 3/8" deep as shown for arm cutout.
- Install door stop or holder with screws provided. Install control knob last.

NOTES:

- All hollow metal frames are to be provided with 3/16" min. thickness x 12" min. length reinforcement plates.
- All hollow metal doors are to have minimum 3/16" reinforcement plates.
- If dead stop is required add 5/8" to "A" dimension as noted on opposite side of page.
- A, B and C dimensions are measured from centerline of pivot, not edge of door.
- Left hand shown, right hand opposite.
- All dimensions are given in inches.

CAUTION:

Note location of swing clear hinge centerline to determine "A", "B" and "C" dimensions.



Screw Details	
Jamb	Door
1/4-20 x 3/4" FHMS or #14 x 1-1/2" FHWS	5/16-18 x 1-1/2" FHMS or #18 x 3" FHWS

**No. 1 Series
 Concealed Door Stops and Holders**



TEMPLATE NUMBER	SHEET	REV	DATE
OH80000A	1 of 2	2	01/22

No. 1 Series Concealed Door Stops and Holders

1. See other side for installation instructions.
2. Select proper dimensions noted below.
3. Add 5/8" to "A" dimension for dead stop.
4. All dimensions given in inches.

When Using Center Hung Pivots, Check Pivot Manufacturer's Compatibility Prior to Specifying

* Butt mounting only.
Reversible, non-handed

	Device Number			Degree	85° H.O.				90° H.O.				95° H.O.				100° H.O.				105° H.O.				110° H.O.				
	Friction	H.O.	Stop	Door Opening	A	B	C	E	A	B	C	E	A	B	C	E	A	B	C	E	A	B	C	E	A	B	C	E	F
$1\frac{3}{4}$ - $2\frac{1}{4}$ Butts & $\frac{3}{4}$ Offset Pivot	1-116	1-126	1-136	24 - 28	$\frac{7}{4}$	$\frac{1}{2}$	$4\frac{3}{4}$	$11\frac{7}{8}$	$4\frac{1}{8}$	$\frac{3}{5}$	$4\frac{1}{2}$	$13\frac{1}{4}$	* $\frac{13}{16}$	* $\frac{7}{8}$	*	* $\frac{7}{16}$	* $\frac{1}{2}$	* $\frac{9}{4}$	* $\frac{1}{2}$	* $\frac{5}{8}$	* $\frac{1}{4}$	* $\frac{5}{4}$	*	* $\frac{7}{8}$	* $\frac{1}{16}$	* $4\frac{1}{8}$	*	* $\frac{5}{8}$	$17\frac{3}{16}$
	1-216	1-226	1-236	$28\frac{1}{16}$ - 33	$\frac{3}{6}$	$\frac{9}{6}$	6	$15\frac{3}{4}$	$\frac{13}{5}$	$\frac{3}{6}$	$5\frac{1}{2}$	$15\frac{7}{8}$	$\frac{7}{5}$	$\frac{13}{5}$	$4\frac{1}{2}$	$16\frac{1}{2}$	* $\frac{5}{8}$	* $\frac{1}{2}$	* $\frac{3}{2}$	* $\frac{3}{16}$	* $\frac{7}{4}$	* $\frac{1}{4}$	* $\frac{3}{2}$	* $\frac{5}{8}$	* $\frac{5}{8}$	* $\frac{1}{16}$	* $\frac{1}{16}$	* $\frac{1}{16}$	$18\frac{7}{16}$
	1-316	1-326	1-336	$33\frac{1}{16}$ - 38	$9\frac{3}{4}$	$\frac{7}{8}$	$7\frac{3}{4}$	$19\frac{1}{16}$	$\frac{5}{9}$	$\frac{7}{7}$	$7\frac{1}{4}$	$19\frac{1}{8}$	$8\frac{7}{8}$	7	$6\frac{3}{4}$	$19\frac{1}{8}$	$\frac{7}{8}$	$\frac{9}{6}$	$6\frac{1}{4}$	$19\frac{1}{4}$	$8\frac{1}{8}$	$6\frac{1}{4}$	$5\frac{1}{2}$	$19\frac{5}{8}$	$7\frac{7}{8}$	6	$4\frac{1}{4}$	$20\frac{5}{8}$	$19\frac{15}{16}$
	1-416	1-426	1-436	$38\frac{1}{16}$ - 43	$12\frac{11}{16}$	$\frac{9}{9}$	$9\frac{1}{2}$	$22\frac{3}{8}$	$\frac{12}{12}$	$\frac{9}{9}$	9	$22\frac{3}{8}$	$11\frac{11}{16}$	$8\frac{11}{16}$	$8\frac{1}{2}$	$22\frac{3}{8}$	$11\frac{3}{16}$	$8\frac{3}{16}$	8	$22\frac{3}{8}$	$10\frac{3}{4}$	$7\frac{3}{4}$	$7\frac{1}{2}$	$22\frac{3}{8}$	$10\frac{7}{16}$	$7\frac{7}{16}$	$7\frac{1}{4}$	$22\frac{3}{8}$	$22\frac{1}{16}$
	1-516	1-526	1-536	$43\frac{1}{16}$ - 48	$16\frac{5}{16}$	$11\frac{1}{16}$	$10\frac{3}{4}$	$26\frac{1}{4}$	$\frac{15}{15}$	$\frac{7}{10}$	$10\frac{1}{4}$	$26\frac{1}{4}$	$\frac{15}{15}$	$\frac{13}{9}$	$9\frac{1}{2}$	$26\frac{1}{4}$	$\frac{14}{14}$	$\frac{9}{9}$	9	$26\frac{1}{4}$	$14\frac{1}{8}$	$8\frac{7}{8}$	$8\frac{3}{4}$	$26\frac{1}{4}$	$13\frac{3}{4}$	$8\frac{1}{2}$	$8\frac{1}{4}$	$26\frac{1}{4}$	$23\frac{9}{16}$

NOTE: A, B, and C dimensions measured from centerline of pivot, not edge of door.

	Device Number			Degree	85° H.O.				90° H.O.				95° H.O.				100° H.O.				105° H.O.				110° H.O.					
	Friction	H.O.	Stop	Door Opening	A	B	C	E	A	B	C	E	A	B	C	E	A	B	C	E	A	B	C	E	A	B	C	E	F	
$1\frac{3}{4}$ - $2\frac{1}{4}$ Center Hung	--	--	--	--	--	--	--	--	--	--	--	--	--	--	--	--	--	--	--	--	--	--	--	--	--	--	--	--	--	--
	1-216	1-226	1-236	30 - 36	$6\frac{5}{8}$	7	$6\frac{3}{4}$	$15\frac{3}{8}$	$6\frac{1}{4}$	$\frac{5}{6}$	$6\frac{3}{8}$	$15\frac{3}{8}$	$\frac{5}{7}$	$6\frac{1}{4}$	6	$15\frac{3}{8}$	$\frac{9}{5}$	$\frac{15}{5}$	$5\frac{3}{4}$	$15\frac{3}{8}$	$\frac{5}{5}$	$\frac{11}{5}$	$5\frac{1}{2}$	$15\frac{3}{8}$	--	--	--	$19\frac{1}{8}$	$18\frac{7}{16}$	
	1-316	1-326	1-336	$36\frac{1}{16}$ - 41	$10\frac{3}{8}$	$8\frac{1}{2}$	$8\frac{1}{4}$	$19\frac{1}{8}$	$\frac{7}{9}$	8	$7\frac{3}{4}$	$19\frac{1}{8}$	$\frac{7}{9}$	$\frac{9}{7}$	$7\frac{3}{8}$	$19\frac{1}{8}$	$\frac{9}{9}$	$\frac{7}{7}$	7	$19\frac{1}{8}$	$\frac{11}{8}$	$\frac{13}{6}$	$6\frac{1}{2}$	$19\frac{1}{8}$	$8\frac{3}{8}$	$6\frac{1}{2}$	$6\frac{1}{4}$	$19\frac{1}{8}$	$19\frac{15}{16}$	
	1-416	1-426	1-436	$41\frac{1}{16}$ - 46	$13\frac{1}{4}$	$10\frac{1}{4}$	10	$22\frac{3}{8}$	$\frac{12}{5}$	$\frac{5}{9}$	$9\frac{3}{8}$	$22\frac{3}{8}$	$12\frac{1}{8}$	$9\frac{1}{8}$	9	$22\frac{3}{8}$	$11\frac{5}{8}$	$8\frac{5}{8}$	$8\frac{1}{2}$	$22\frac{3}{8}$	$11\frac{1}{4}$	$8\frac{1}{4}$	8	$22\frac{3}{8}$	$10\frac{7}{8}$	$7\frac{7}{8}$	$7\frac{3}{4}$	$22\frac{3}{8}$	$22\frac{1}{16}$	
	1-516	1-526	1-536	$46\frac{1}{16}$ - 50	17	$11\frac{3}{4}$	$11\frac{1}{2}$	$26\frac{1}{8}$	$16\frac{1}{4}$	11	$10\frac{3}{4}$	$26\frac{1}{8}$	$\frac{15}{15}$	$\frac{5}{10}$	10	$26\frac{1}{8}$	$\frac{15}{15}$	$\frac{13}{9}$	$9\frac{1}{2}$	$26\frac{1}{8}$	$14\frac{5}{8}$	$9\frac{3}{8}$	9	$26\frac{1}{8}$	$14\frac{3}{16}$	$8\frac{15}{16}$	$8\frac{3}{4}$	$26\frac{1}{8}$	$23\frac{9}{16}$	

**No. 1 Series
Concealed Door Stops and Holders**



TEMPLATE NUMBER	SHEET	REV	DATE
OH8000B	2 of 2	2	01/22

Approved 2022-05-02