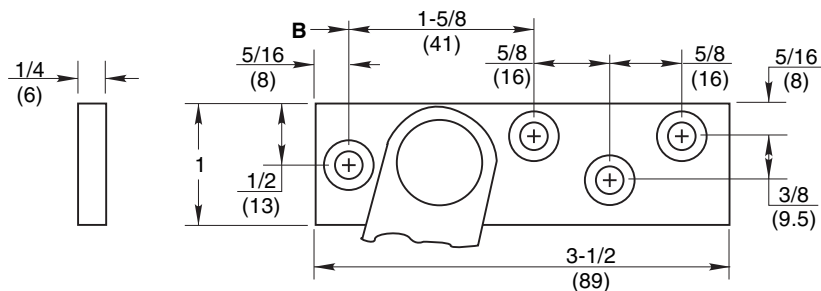


INSTALLATION INSTRUCTIONS

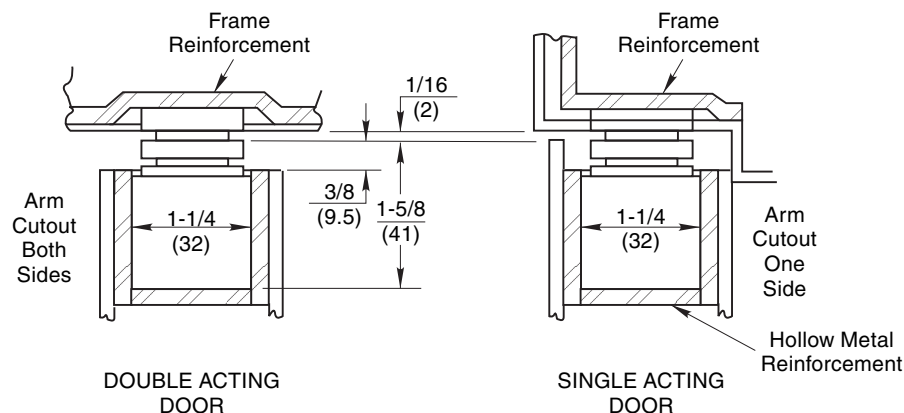
1. Determine the device number for the door opening. Then select proper dimensions from chart on OH800003B.

NOTE: A, B and C dimensions are measured from hinge center, not edge of door.

2. Locate "B" dimension on frame and mortise 1/4" (6mm) deep for jamb bracket as shown.



3. Locate "A" and "F" dimensions on centerline of door and mortise 1-5/8" (41mm) deep for channel. 1/16" (2mm) head clearance shown. Coordinate the arm and rail cutout dimensions if head clearance varies.



4. Locate "C" and "E" dimensions on top of door and mortise 3/8" (9.5mm) deep as shown for arm cutout.

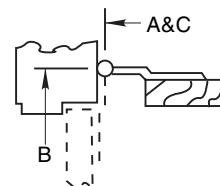


NOTES:

- All hollow metal frames are to be provided with 3/16" (5mm) min. thickness x 12" (305mm) min. length reinforcement plates.
- All hollow metal doors are to have minimum 3/16" reinforcement plates.
- A, B and C dimensions are measured from centerline of pivot, not edge of door.
- Left hand shown, right hand opposite.
- All dimensions are given in inches (mm).

CAUTION:

Note location of swing clear hinge centerline to determine "A", "B" and "C" dimensions.



Screw Details	
Jamb	Door
1/4-20 x 3/4" FHMS or #14 x 1-1/2" FHWS	5/16-18 x 1-1/2" FHMS or #18 x 3" FHWS

**No. 1 ADJ
 Concealed Mounted
 Door Stops and Holders**



TEMPLATE NUMBER	SHEET	REV	DATE
OH800003A	1 of 2	2	01/22

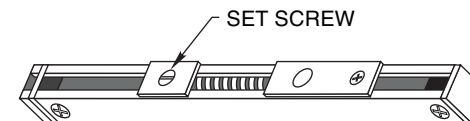
No. 1 Series Surface Mounted Door Stops and Holders*

1. See **OH800003A** for installation instructions.
2. Select proper dimensions noted below.
3. All dimensions given in inches (mm).

When Using Center Hung Pivots, Check Pivot Manufacturer's Compatibility Prior to Specifying

* Butt mounting only.
Reversible, non-handed

	Device Number		Degree						Max Opening
	H.O.	Stop	Door Opening	A	B	C	E	F	
1-3/4 - 2-1/4 Butts & 3/4 Offset Pivot	1ADJ-126	1ADJ-136	$\frac{24}{610} - \frac{28}{711}$	* $\frac{3-1/16}{(78)}$	* $\frac{4-1/8}{(105)}$	* $\frac{0}{(0)}$	* $\frac{16-5/8}{(422)}$	$\frac{17-3/16}{(437)}$	110°
	1ADJ-226	1ADJ-236	$\frac{28-1/16}{713} - \frac{33}{838}$	* $\frac{4-5/8}{(117)}$	* $\frac{5"}{(127)}$	* $\frac{1"}{(25)}$	* $\frac{19-1/8}{(486)}$	$\frac{18-7/16}{(468)}$	110°
	1ADJ-326	1ADJ-336	$\frac{33-1/16}{840} - \frac{38}{965}$	$\frac{7-7/8}{(200)}$	$\frac{6"}{(152)}$	$\frac{4-1/4}{(108)}$	$\frac{20-5/8}{(524)}$	$\frac{19-15/16}{(506)}$	110°
	1ADJ-426	1ADJ-436	$\frac{38-1/16}{967} - \frac{43}{1092}$	$\frac{10-7/16}{(265)}$	$\frac{7-7/16}{(189)}$	$\frac{7-1/4}{(184)}$	$\frac{22-3/8}{(568)}$	$\frac{22-1/16}{(560)}$	110°
	1ADJ-526	1ADJ-536	$\frac{43-1/16}{1094} - \frac{48}{1219}$	$\frac{13-3/4}{(349)}$	$\frac{8-1/2}{(216)}$	$\frac{8-1/4}{(210)}$	$\frac{26-1/4}{(667)}$	$\frac{23-9/16}{(598)}$	110°



TO SELECT DEGREE OF STOP

1. With a screwdriver, loosen the Set Screw in the Slide Block.
2. Open door to desired degree of opening.
3. Move Slide Block and Spring until the Spring touches Slide Cam.
4. Tighten Set Screw.
5. Verify door opening position and re-adjust, as needed.

NOTE: A, B, and C dimensions measured from centerline of pivot, not edge of door.

	Device Number		Degree						Max Opening
	H.O.	Stop	Door Opening	A	B	C	E	F	
1-3/4 - 2-1/4 Center Hung	-	-	-	-	-	-	-	-	N/A
	1ADJ-226	1ADJ-236	$\frac{30}{762} - \frac{36}{914}$	$\frac{5-5/16}{(135)}$	$\frac{5-11/16}{(144)}$	$\frac{5-1/2}{(140)}$	$\frac{15-3/8}{(391)}$	$\frac{18-7/16}{(468)}$	105°
	1ADJ-326	1ADJ-336	$\frac{36-1/16}{916} - \frac{41}{1041}$	$\frac{8-3/8}{(213)}$	$\frac{6-1/2}{(165)}$	$\frac{6-1/4}{(159)}$	$\frac{19-1/8}{(486)}$	$\frac{19-15/16}{(506)}$	110°
	1ADJ-426	1ADJ-436	$\frac{41-1/16}{1043} - \frac{46}{1168}$	$\frac{10-7/8}{(276)}$	$\frac{7-7/8}{(200)}$	$\frac{7-3/4}{(197)}$	$\frac{22-3/8}{(568)}$	$\frac{22-1/16}{(560)}$	110°
	1ADJ-526	1ADJ-536	$\frac{46-1/16}{1170} - \frac{50}{1270}$	$\frac{14-3/16}{(360)}$	$\frac{8-15/16}{(227)}$	$\frac{8-3/4}{(222)}$	$\frac{26-1/8}{(664)}$	$\frac{23-9/16}{(598)}$	110°

**No. 1 ADJ
Concealed Mounted
Door Stops and Holders**



TEMPLATE NUMBER	SHEET	REV	DATE
OH800003B	2 of 2	2	01/22