



Simple ADA solution for moderate traffic applications

5700 SERIES

LOW ENERGY OPERATOR

CATALOG

Norton®

ASSA ABLOY

Experience a safer
and more open world

INTRODUCTION

A reliable ADA solution comprising Norton's heavy-duty 1601 door closer. The use of a hydraulic closer ensures quiet and consistently smooth operation, ideal in applications where doors are typically operated manually but can also be activated via wall switches for automatic operation. The 5700 offers basic automated door functions and is designed for quick set-up, making it easy to specify and install.

FEATURES

- » Non-handed
- » Push or pull side mounting
- » Comprises heavy-duty Norton 1601 door closer
- » Optional kit includes push buttons and plug-in power cord
- » Operates as mechanical surface close during close cycles, when door is opened manually or if power is off
- » Spring force provides the feel of a manual door closer
- » Door can be opened manually if desired
- » Adjustable spring power
- » Backcheck valve
- » Sweep valve & latch valve
- » Unit activation options:
 - › Wall switches
 - › Radio frequency device
- » End-user on/off switch
- » Adjustable door sensitivity
- » Onboard power supply for accessories: 24VDC (1.1A)
- » 2 year limited warranty



BENEFITS

- » Basic features simplify product choice
- » Designed for quick installation, setup and adjustments
- » Hydraulic closer offers quiet and smooth operation

PATENTS

- » United States: 5,881,497, 7,316,096 and 7,484,333
- » Canada: 2,568,877

TABLE OF CONTENTS

| | |
|---|------|
| Introduction, Features, Benefits, Patents | 2 |
| Functions, Electrical Data, Certifications, Specifications..... | 3 |
| Applications..... | 4 |
| Kits..... | 5 |
| Parts List..... | 6 |
| Arm and Track Assemblies | 7 |
| Accessories..... | 8-12 |
| How To Order | 14 |

FUNCTIONS

- » Adjustable Hold Open
 - › Amount of time a door will stay in the full open position after an activation
- » Obstruction Detection
 - › Motor stops if door is obstructed during opening; door closes
- » On/Off Switch
 - › Disables operator activation
- » Open Delay
 - › Delays operator opening for locking hardware
- » Overload Safety Shut-Off
 - › After 2 minutes of receiving a door activation signal, inverter times out and door closes
 - › Prevents motor/inverter damage

SPECIFICATIONS

Door Controls____ (interior) (exterior) swinging door(s) shall be of rack and pinion design contained within a precision cast aluminum housing. Door closing force shall be adjustable to ensure adequate closing control. Door closing speed shall be controlled by independent hydraulic adjustment valves in the sweep and latch range of the closing cycle. Door Operator shall provide conventional door closer opening forces unless the power operator motor is activated. Door Operator shall provide conventional door closing forces at all times except in the event of power outage during powered door open cycle. Door Operator opening force and speed shall be adjustable by independent electronic adjustment to ensure adequate opening control per accessibility codes. Door Operator shall have an adjustable hydraulic backcheck valve to cushion the door speed if door is opened violently. Door Operator shall have a manual adjustment to locate both full open and full closed door positions. Maximum door open shall be adjustable and capable to a maximum 180° conditions permitting. [(Door Operator shall be AUTOMATICALLY ACTIVATED, i.e., motion sensor.) (Door Operator shall be SELECTIVELY ACTIVATED by external initiating device, i.e., wall switch, etc.) (Door Operator shall be both AUTOMATICALLY ACTIVATED and SELECTIVELY ACTIVATED.)] Door operator shall have adjustable hold open time capability in range from 5 to 30 seconds. Door operator shall have input line rating of 120VAC, .6A or 240VAC, .3A. Units shall have relay contact for interfacing products having a contact rating of 30VDC at 1A or 125VAC at .5A. Unit shall have an external On/Off Switch to defeat powered opening when desired. Unit shall have an internal circuit breaker switch to interrupt input power for servicing. Unit shall be U.L. Listed for automatic closing door. Unit shall be in compliance with the requirements of the Americans With Disabilities Act (ADA), ANSI standards A117.1 and A156.19. Unit shall meet C-UL US.



ADDITIONAL DETAILED SPECIFICATIONS:

When activated, the unit shall, by means of an integral motor and chain drive, power open the door at both a speed and force that are adjustable to meet accessibility codes. The door shall be powered from a door closed position to a full door open position and remain in momentary hold open for ____seconds (adjustable 0 to 30 seconds) [(Unit shall power open door to full open position up to 180° (5710); 170° (5730), conditions permitting.) (Unit shall be capable of allowing the door to be opened manually from 0 to 180°, conditions permitting.)] Once unit reaches full hold open position, if reinitiated, unit's momentary hold open time shall restart from the initially set hold open time. If unit is initiated during the closing cycle, unit shall revert to opening cycle beginning at that door position. Obstruction detection on open shall neutralize and reverse motor action reverting motor to closed position thus allowing door to close under closer spring force only. This obstruction detection feature shall be integral to unit. During closing cycle, the unit shall close door under spring power not to exceed a closing force of 15 lbf.

ELECTRICAL DATA

- » Power input; 120 VAC, 60Hz
- » Relay output: SPDT
 - › Normally open/normally closed (jumper)
 - › For electric strike function

CERTIFICATIONS

- » ANSI/BHMA A156.19 certified 
- » Meets ANSI/BHMA A156.4 requirements
- » UL / cUL listed for use on fire rated doors 
- » UL10C listed for positive pressure fire test
- » Manufactured in an ISO 9001 and ISO 14001 certified facility
- » Complies with requirements for the Americans with Disabilities Act (A.D.A)
- » UL certified environmental product declaration

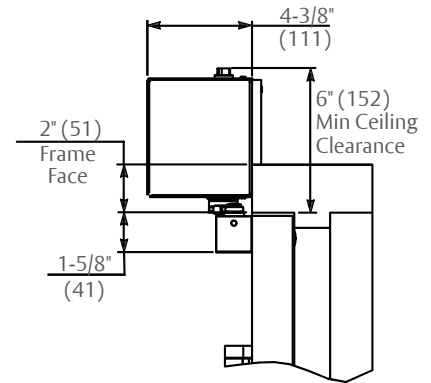
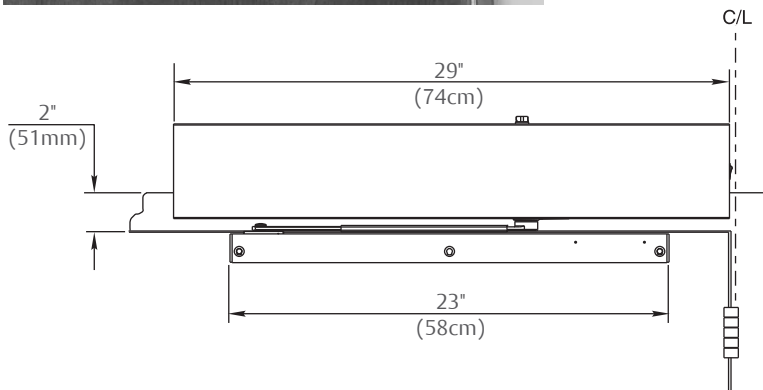
APPLICATIONS



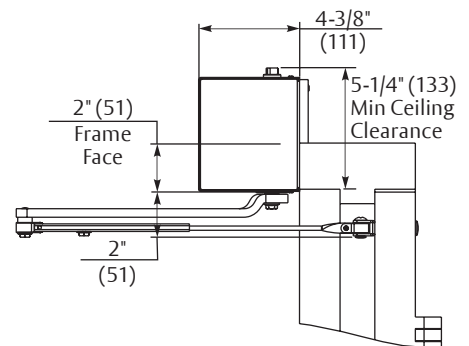
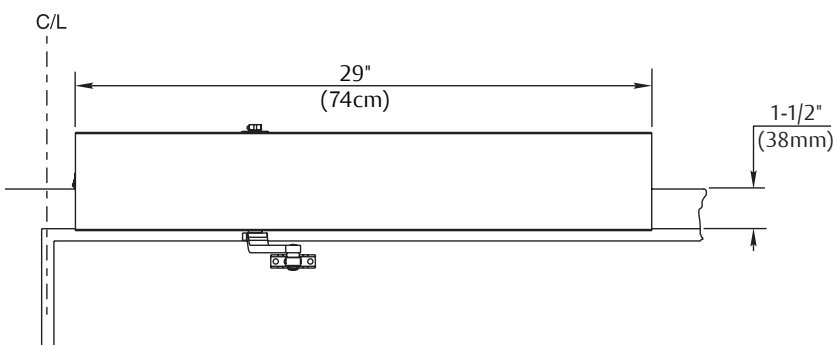
- 5710
HINGE (PULL) SIDE OF DOOR**
- » Adjustable Stop
 - » 110° swing (trim permitting)

Minimum Door width
Single Door – 29" (74cm)
Pair of Doors – 30" (76cm)

An auxiliary stop is suggested where severe conditions exist.



- 5730
STOP (PUSH) SIDE OF DOOR**
- Standard Duty Double Lever Arm
- » Frame reveals 2-5/8" to 6-3/4" (67-171mm)
 - » An auxiliary door stop is required for these applications.
 - » 170° swing (trim permitting)



5700 SERIES
LOW ENERGY OPERATOR

5700 KITS

Universal Kits



5740

- » Kit Includes: Operator, Cover, and Push & Pull Arms

ADA Kits



5740K3

- » Kit Includes: Operator, Cover, Push & Pull Arms, (2) ADA1019-1 Switches, (2) 548 Transmitters, (1) 539 Receiver, and (1) 5700PC 18" Power Cord

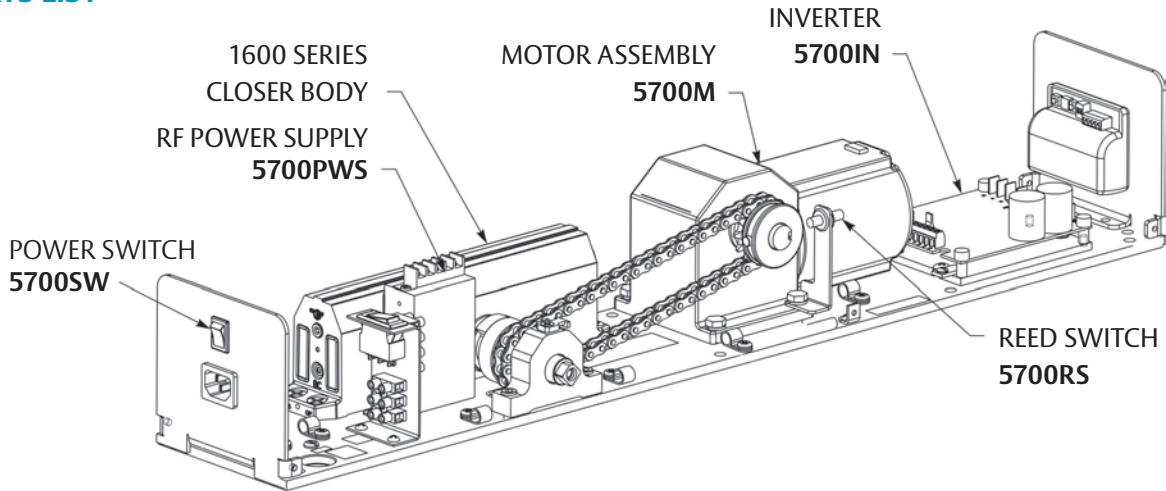
Hands-Free Kits



5740K2

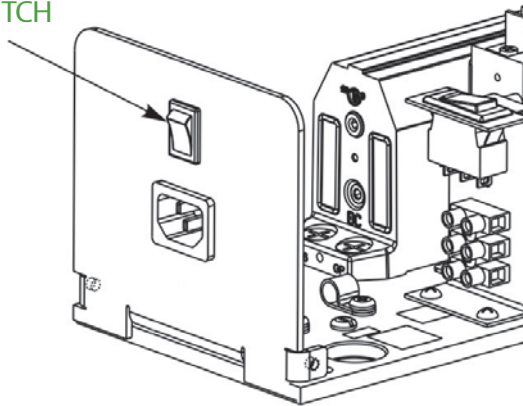
- » Kit Includes: Operator, Cover, Push & Pull Arms, (2) 700 Wave-to-Open Switches, and Power Cord

PARTS LIST



| Part # | Description |
|---------|-------------|
| 5700CVR | Cover |

POWER SWITCH 5700SW



POWER CORD 5700PC



(125V / 10A RATED 18AWG 18 INCHES MAX., NEMA 5-15P AND IEC320-C13 CONNECTORS CORD MUST BE UL LISTED.)

POWER CORD INPUT
Factory prepped and installed receptacle

NOTE: Consult local authority having jurisdiction to confirm use of power cord is acceptable. Operator must be furnished with the power cord from the factory. Power cords cannot be added to operators in the field. Maximum distance from operator to receptacle is 15".

ARM AND TRACK ASSEMBLIES



5710-1 - Arm and Track Assembly
7701ST-1A - Arm Assembly
7200-1T - Track Assembly



7701-1A - Arm Assembly
7701-1W - Main Arm & Rod
7701-11A - Adjusting Tube & Shoe

ACCESSORIES



501

502



671

671 and 672 switches meet new state accessibility logo requirements in NY, CA, and CT

Activating Door Switches

- » 4-1/2" W. x 4-1/2" H.
- » 15 amp @ 125 VAC
- » Flush mounted
- » Fits single or 2 gang electrical box

| Model | Description | Hard wired | RF (433MHz) |
|-------|----------------------------------|------------|-------------|
| 501 | Press to Operate Door | ✓ | |
| 502 | Press to Open x logo | ✓ | |
| 671 | Press to Open x alternative logo | ✓ | |
| 672 | Press to Open x alternative logo | | ✓ |
| 542 | 4-1/2" surface mount box | | |



505

532



506

534

505, 506, 507 and 534 switches may also be installed with single or double gang electrical box using fasteners included

- » 6" W. x 6" H.
- » 9 volt battery
- » 15 amp @ 125 VAC
- » Flush mounted
- » Stainless steel with blue letters

| Model | Description | Hard wired | RF (433MHz) |
|-------|------------------------------------|------------|-------------|
| 505 | Square button: Push to Open x Logo | ✓ | |
| 506 | Round button: Push to Open x Logo | ✓ | |
| 507 | Square button: Push to Open | ✓ | |
| 531 | Square button: Push to Open x Logo | | ✓ |
| 532 | Square button: Push to Open | | ✓ |
| 533 | Round button: Push to Open x Logo | | ✓ |
| 534 | Round button: Push to Open | ✓ | |
| 535 | Round button: Push to Open | | ✓ |
| 555 | 6" square surface mount box | | |
| 557 | 6" round surface mount box | | |

ACCESSORIES



700

Wave-to-Open Wall Switch

- » Single gang and double gang packaged together
- » Sensor requires movement for activation
- » Variable relay – hold time from 0 – 35 seconds
- » Range 0" to 4"
- » Dimensions:
3" W x 4-3/4" H (single);
4-1/2" W x 4-1/2" H (double)



704

Narrow Wave-to-Open Wall Switch

- » Narrow gang
- » Sensor requires movement for activation
- » Variable relay - hold time from 0-35 seconds
- » Range 0" to 4"
- » Durable stainless steel body holds up in moist environments



638

Low Profile Push Plate

- » 36" x 6" activation zone
- » 1" low profile depth
- » Stainless steel face plate
- » Adapts to either wireless or hard wired installations
- » 638 - Wireless
- » 639 - Hard wired

Note:

- » All hard wired switches are Momentary Contact SPDT, UL Listed.
- » Optional DPDT switches are available; suffix "D" to model number.

ACCESSORIES



503

Vestibule Switches

- » 1-1/2" x 4-3/4" face plate
- » SPDT UL listed switch-mom.
- » 15 amp @ 125 VAC
- » Fits 1-3/4" frame
- » Stainless steel with blue letters



504

- » 5" W. x 4-3/4" H.
- » 2 – SPDT UL listed switches-mom.
- » 15 amp @ 125 VAC
- » Fits 2-gang electrical box
- » Stainless steel with blue letters



663*

Motion Sensor

- » 4-3/4" x 3-3/16" x 2" projection
- » Unidirectional
- » Black cover
- » SPDT relay
- » Adjustable angle pattern
- » 24 VDC input
- » Must not be placed where motion of door can be sensed



500

Switch Post

- » 4" x 6" x 40" x 3/16" wall thickness
- » 9 volt battery
- » RF temperature range: -4° F to 122° F
- » 689 (aluminum) or 690 (dark bronze) finishes; specify when ordering
- » Standard formed plastic cap
- » Surface mounted (above ground)
- » 530 – radio frequency transmitter
- » 500 – hard wired switch
- » 530POST – post only; switch not included

* Use of motion sensor must be approved by local authority having jurisdiction.

ACCESSORIES



539

Radio Frequency Receiver

- » 433 MHz



5900EXPG

Executive Package

(includes 539 receiver and 536 transmitter)



536

538

Transmitters

- » 2-3/8"w x 4-3/16"h x 15/16"d
- » 536: single channel
- » 538: two channel



548

- » Converts existing hard wired push plates to work with RF receivers offered after June 2013
- » Single channel
- » 9 volt battery included

ACCESSORIES



565

Push-Button Kits

Includes:

- » (2) ADA1019-2 wall switches
- » (2) 548 transmitters (with 9 volt batteries)
- » (1) 539 receiver



564

Includes:

- » (1) ADA1019-2 wall switch
- » (1) 548 transmitter (with 9 volt battery)
- » (1) 539 receiver

OPERATIONAL SIGNAGE

679 Signage Kit (supplied standard)



(1 per switch)



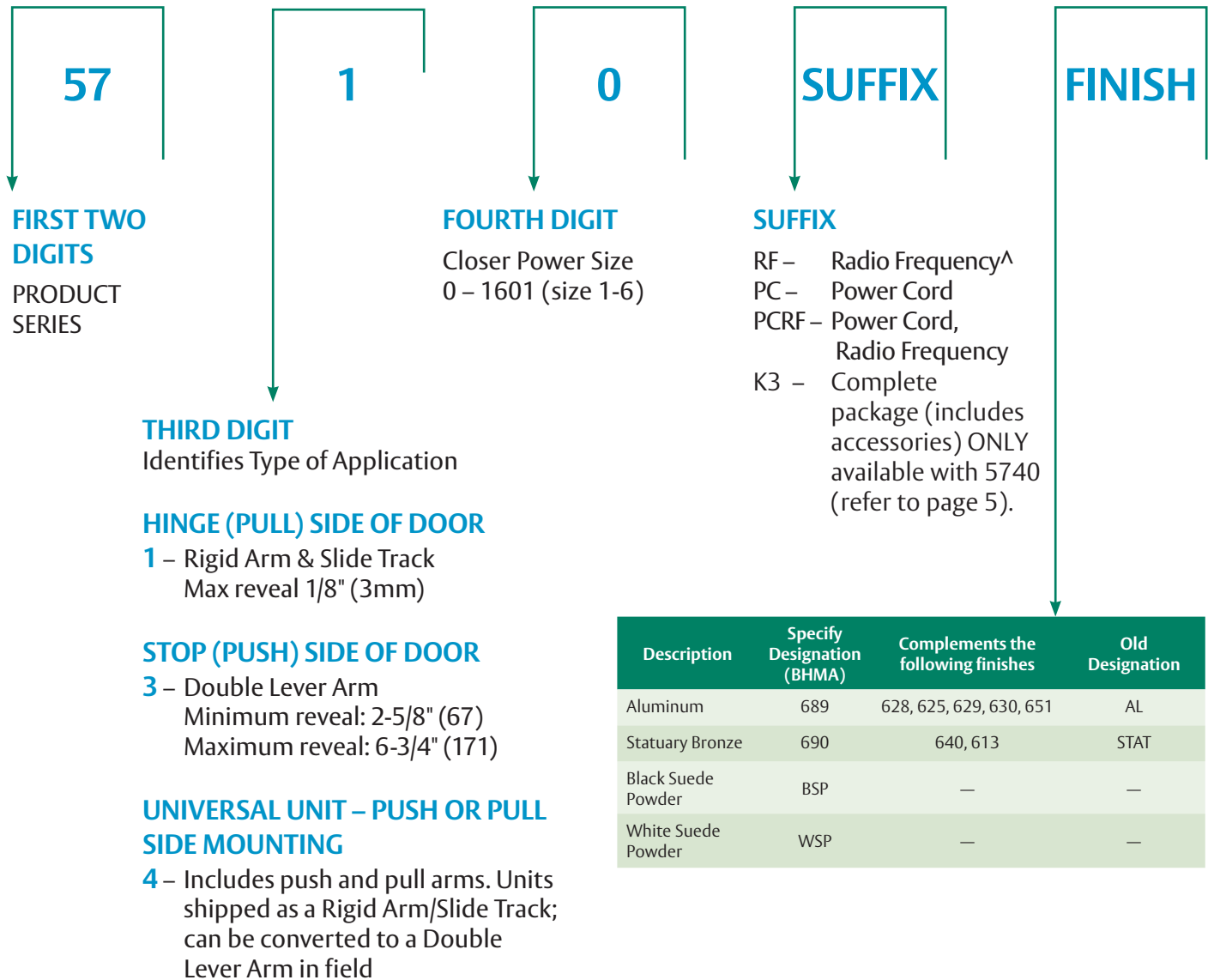
(1 per switch)



(2 per operator)

5700 SERIES
LOW ENERGY OPERATOR

HOW TO ORDER



| Description | Specify Designation (BHMA) | Complements the following finishes | Old Designation |
|--------------------|----------------------------|------------------------------------|-----------------|
| Aluminum | 689 | 628, 625, 629, 630, 651 | AL |
| Statuary Bronze | 690 | 640, 613 | STAT |
| Black Suede Powder | BSP | — | — |
| White Suede Powder | WSP | — | — |

The ASSA ABLOY Group is the global leader in access solutions. Every day, we help billions of people experience a more open world.

ASSA ABLOY Opening Solutions leads the development within door openings and products for access solutions in homes, businesses and institutions. Our offering includes doors, frames, door and window hardware, locks, perimeter fencing, access control and service.

Since 1880, Norton door controls have been an integral part of schools, hospitals and businesses around the globe. When you need products and people that perform at the highest level, rely on Norton – From Open to Close.

Norton Door Controls | www.nortondoorcontrols.com
3000 Highway 74 East | Monroe, NC 28112 | 1.877.974.2255

ASSA ABLOY Opening Solutions
Door Security Solutions Canada | www.assaabloy.ca
160 Four Valley Drive | Vaughan, ON L4K 4T9 | 800.461.3007