

INSTALLATION INSTRUCTIONS FOR 7 Line Lever Lock

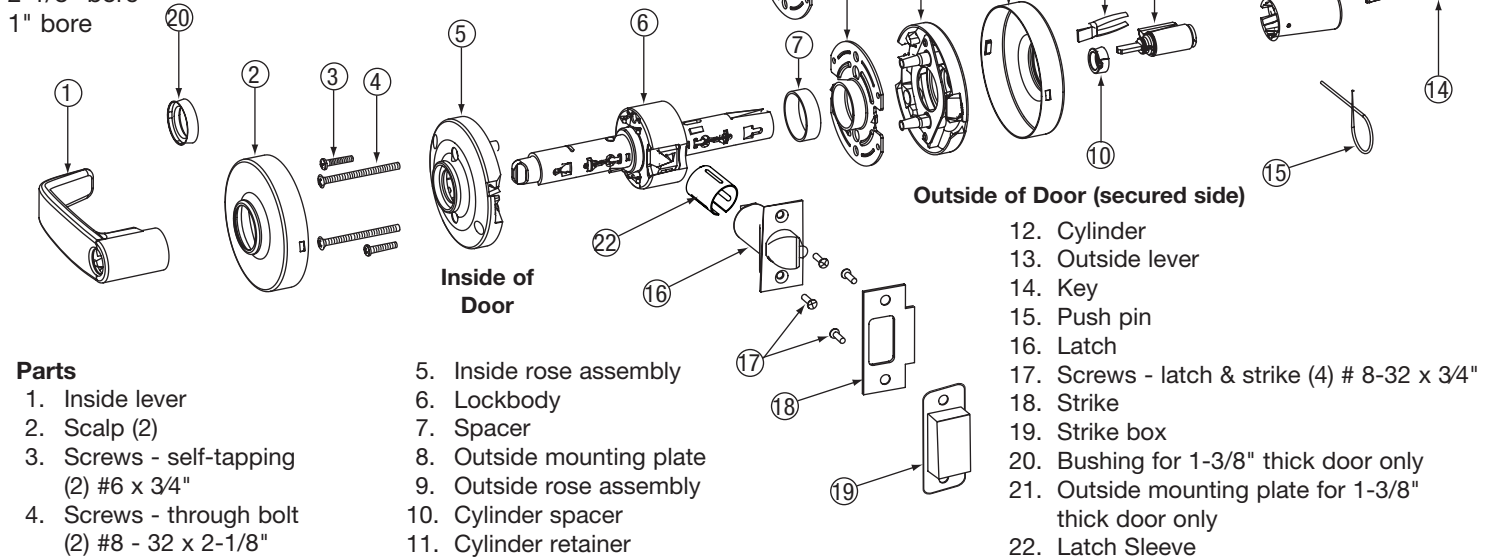
SARGENT®

ASSA ABLOY

For installation assistance,
contact SARGENT at 800-727-5477
www.sargentlock.com

Tools

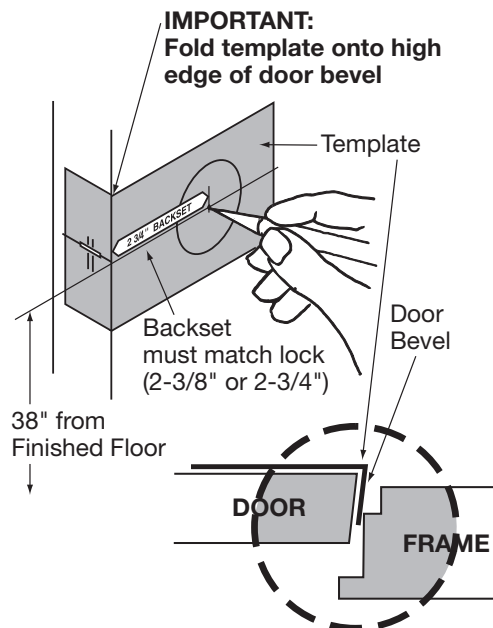
- #2 Phillips screwdriver
- Push pin (provided)
- 1/8" drill bit
- 5/32" (4mm) drill bit
- 2-1/8" bore
- 1" bore



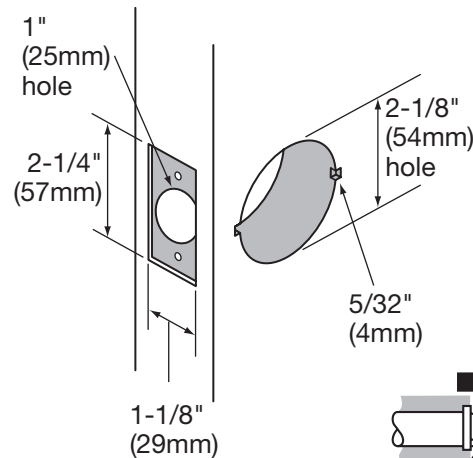
Door Preparation

- Hollow metal doors should be properly reinforced for lock support. If support is not provided, contact door manufacturer.
- For all metal and wood door preparations, use template 4481. To prepare wood door on site, use template attached.
- Template information is available on our website, www.sargentlock.com

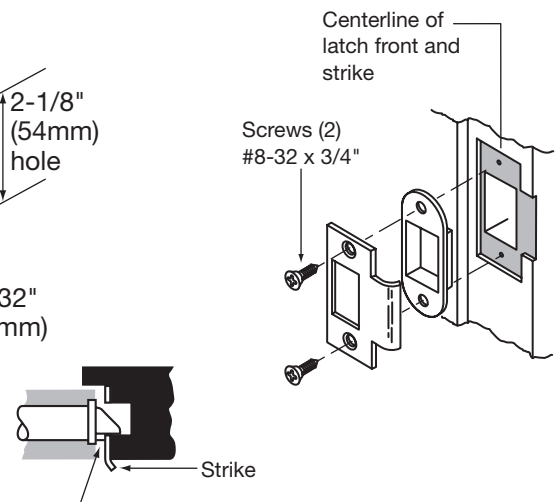
• Mark and Drill Holes



• Final Door Prep



• Frame Prep for Strike



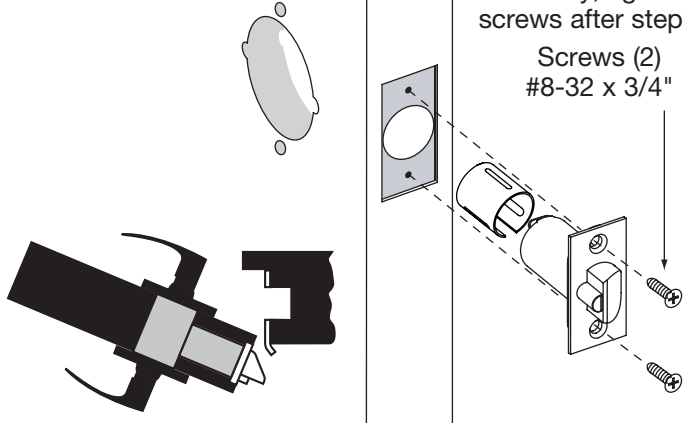
IMPORTANT: Deadlocking latch must stop on strike when door is closed

1

Latch Installation

Install latch and sleeve (1" prep) loosely; tighten screws after step #3

Screws (2)
#8-32 x 3/4"

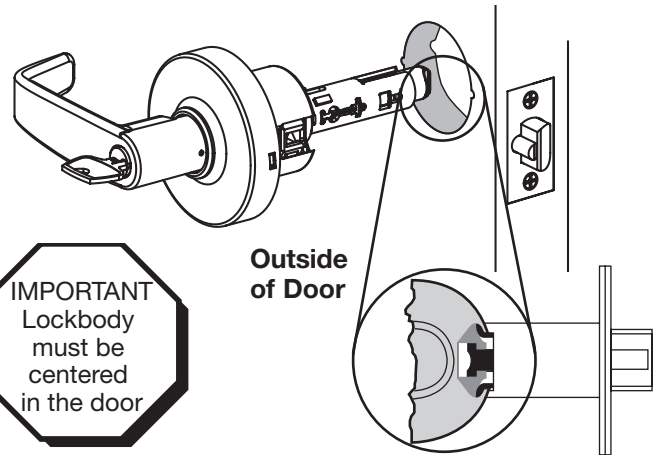


2

Preset Lock

Door thickness – 1-3/4" (44mm) - centered

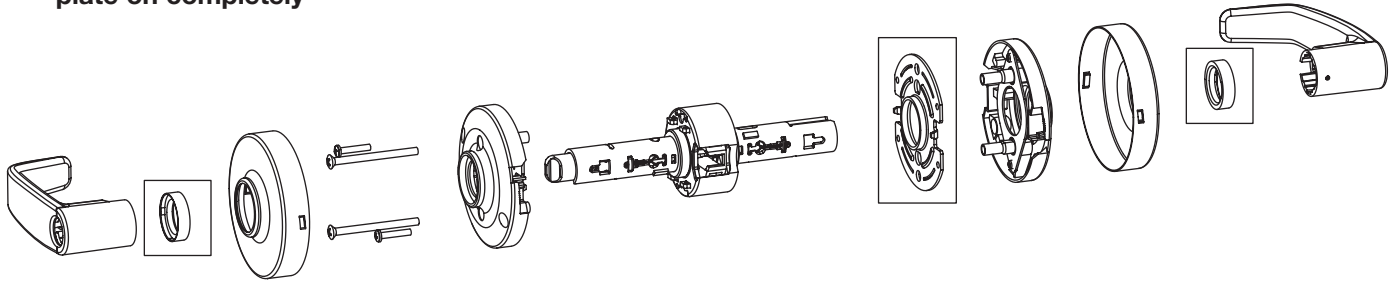
- See step 2A for adjusting for 1-3/8" (35mm) thick doors



2A

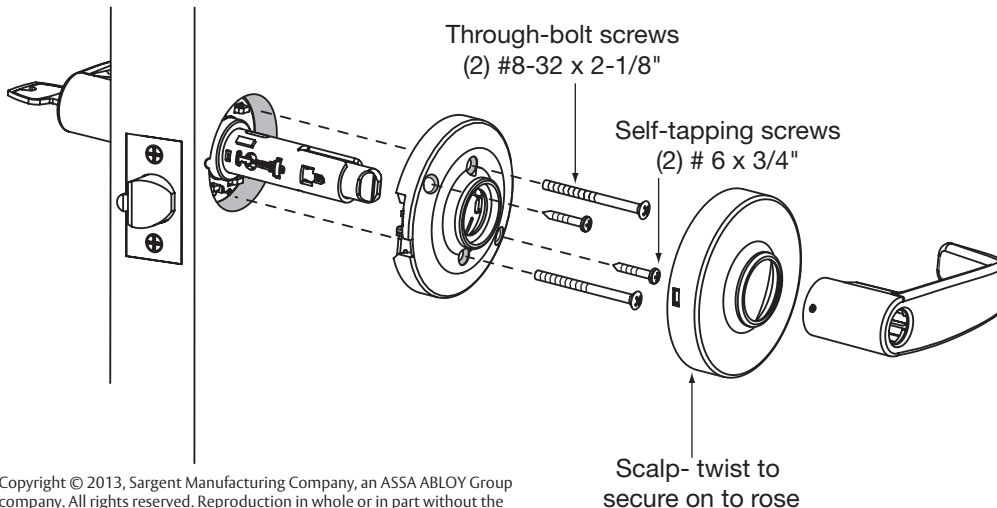
Adjustment for 1-3/8" (35mm) Thick Door

- Disassemble — outside lever (see page 3), scalp, outside rose assembly, outside mounting plate and spacer
- Reassemble — Add 3 parts (2 bushings and slim mounting plate) as shown below in boxed areas
- **IMPORTANT:** To center lock in door, rotate threaded mounting plate on completely



3

- **IMPORTANT:** Self-tapping screws **MUST** be installed



Test for proper operation before closing door

SARGENT
ASSA ABLOY

2

A7240D

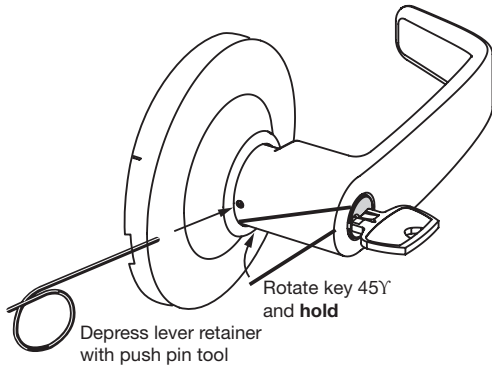
Copyright © 2013, Sargent Manufacturing Company, an ASSA ABLOY Group company. All rights reserved. Reproduction in whole or in part without the express written permission of Sargent Manufacturing Company is prohibited.

Scalp- twist to secure on to rose

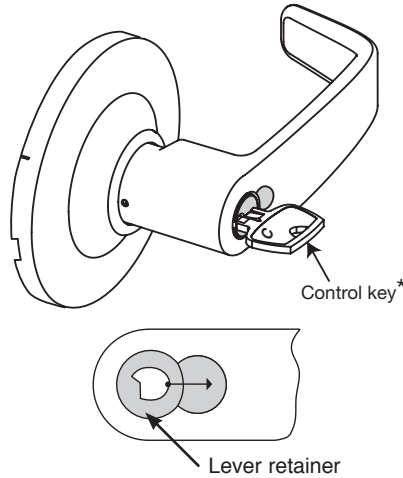
ASSA ABLOY, the global leader in door opening solutions

Lever and Cylinder Removal

Standard Cylinder



Interchangeable and Removable Core Cylinder



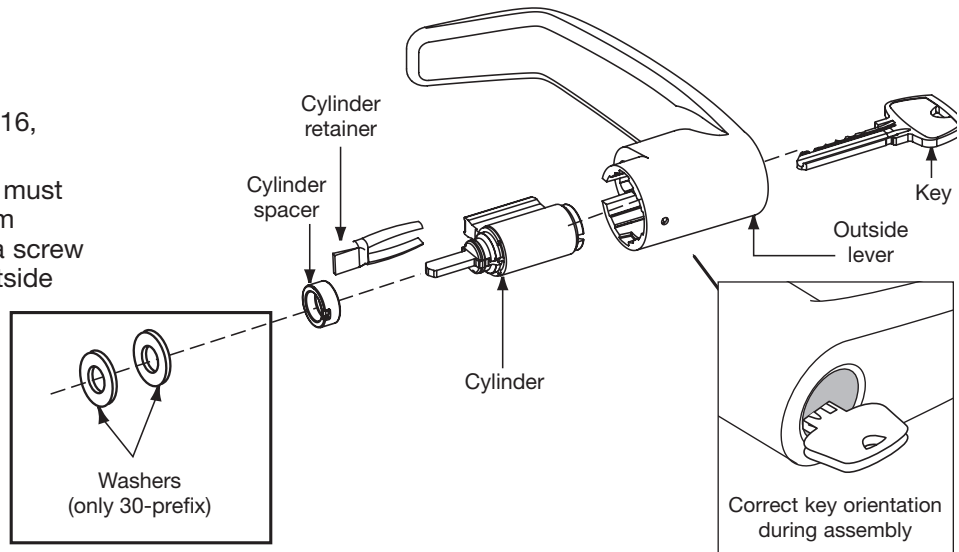
- Remove cylinder and tailpiece, using control key (stamped "C")
 - Insert Phillips #2 screw driver into cylinder opening making contact with lever retainer
 - Pull lever retainer horizontally towards door hinge and remove lever
- *Note: 1 Bitted cylinders utilize a control key cut 113511**

Standard Cylinder Installation

IMPORTANT:

For 7G37 and Special Functions 7G16, 7G30, 7G38 and 7G54 only.

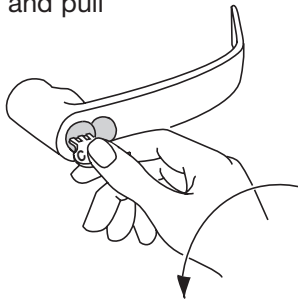
Before cylinder is installed, the lock must be timed (preset) by rotating the cam completely counter clockwise with a screw driver. Cam is located within the outside lever support tube.



Interchangeable or Removable Core Installation

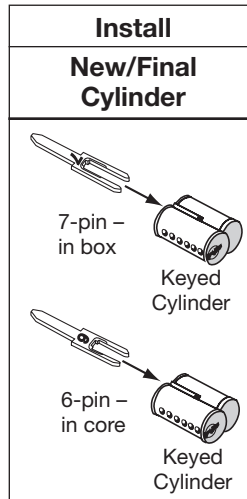
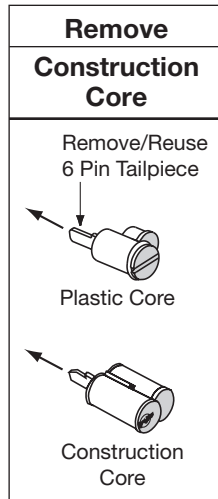
• Remove construction core or plastic core

If keyed – use Control Key (stamped "C") rotate 15° and pull



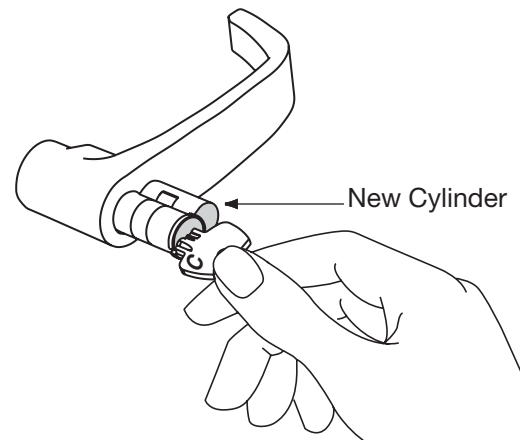
• IMPORTANT:

Remove tailpiece from construction core and insert into new cylinder



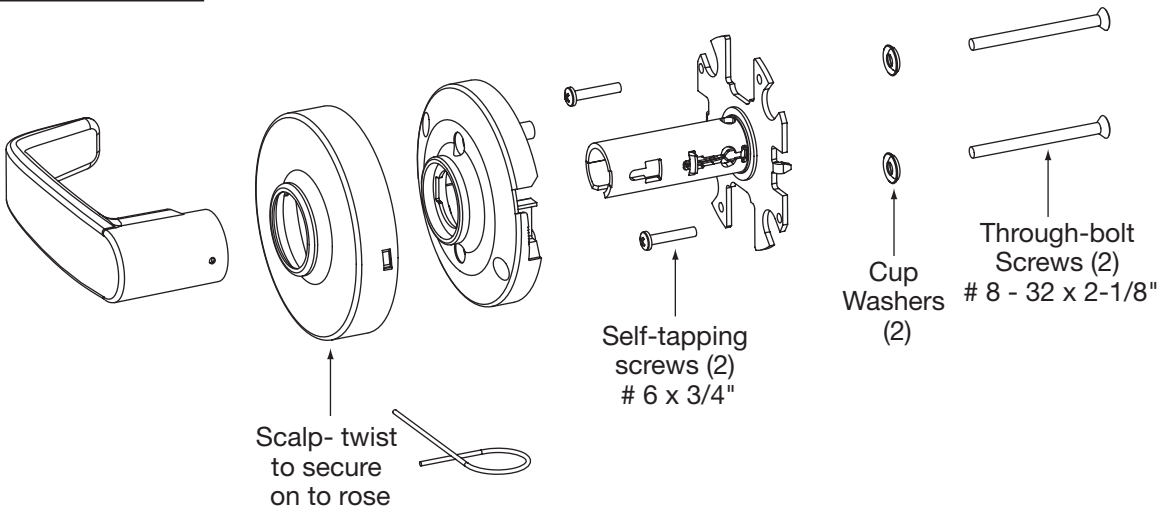
• Install Cylinder

Insert cylinder with control key (stamped "C") into lever; rotate 15° and remove key

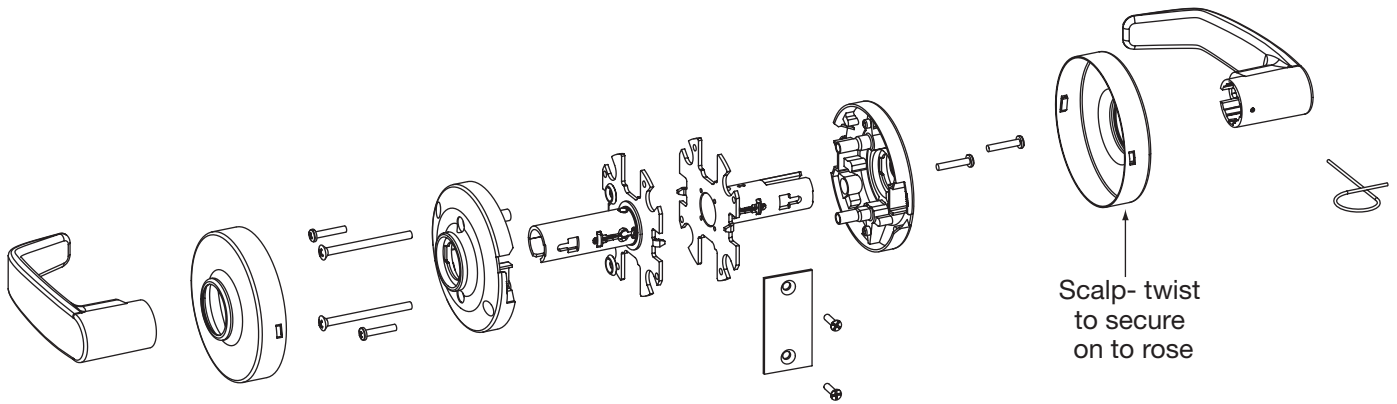


SARGENT
ASSA ABLOY

Install 7U93



Install 7U94/7U94-2



6305 Template

