



Folger Adam 310-6-1, 310-6-2, 310-6-3, 310-6-8, and 31-6-30 Series Electric Strike

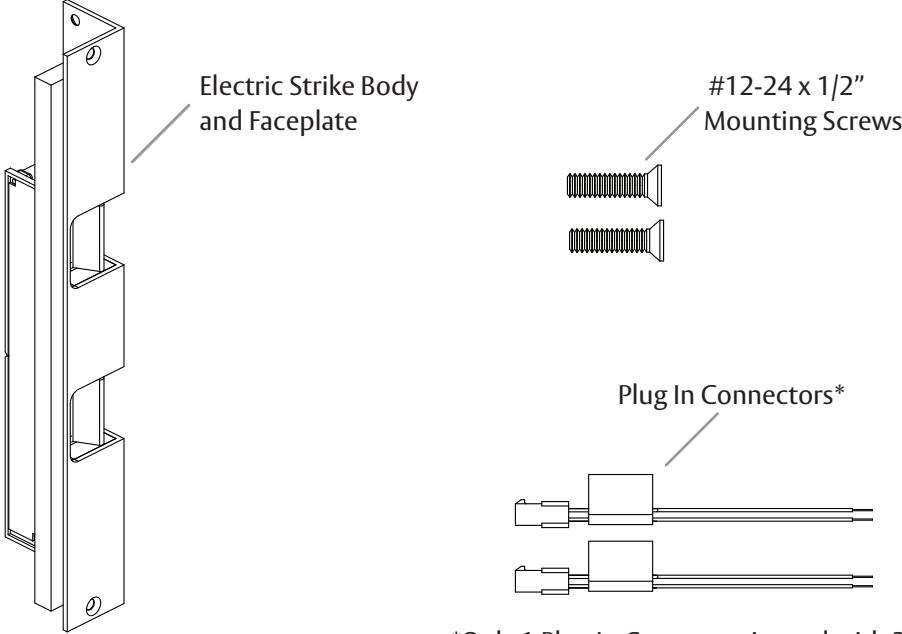
Installation Instructions



HES, Inc.
Phoenix, AZ
800-626-7590

www.hesinnovations.com

Product Components



*Only 1 Plug In Connector is used with 310-6-30

Specifications

ELECTRICAL RATINGS FOR SOLENOID		
CONTINUOUS DUTY	12 VDC	24 VDC
Resistance in Ohms	23.5	96
Amps	.51	.25
Solenoids are rated at +/- 10% indicated value.		

MINIMUM WIRE GAUGE REQUIREMENTS		
SOLENOID VOLTAGE	12 VDC	24 VDC
200 feet or less	18 gauge	18 gauge
200 - 300 feet	16 gauge	18 gauge
300 - 400 feet	14 gauge	16 gauge

UL 294 INFORMATION					
Product Type and Model	Access Control Line Security	Destructive Attack	Endurance	Destructive Attack	Conditions and Notes
Electric Strike, Accessory 310-1, -2, -3, -4, -5, or -6 (+) Series (Report Date 1970-2-18)	I	I	IV	I	May include one or more of the following suffixes: DBR, EL, FS, LBM, LCM, LCBM, LCBMA, OB, PK, RF, U, W, SK, 3/4, 1, 2, 3, 8, 30, or 100. Indoor Use Only

Copyright © 2016, Hanchett Entry Systems, Inc., an ASSA ABLOY Group company. All rights reserved. Reproduction in whole or in part without the express written permission of Hanchett Entry Systems, Inc. is prohibited.

CAUTION!
 Before connecting any device at the installation site, verify input voltage using a multimeter. Many power supplies and low voltage transformers operate at higher levels than listed. Any input voltage exceeding 10% of the solenoid rating may cause severe damage to the unit and will void the warranty.

Preparing the Strike

1. ATTACH the faceplate to the strike body using the #12-24 x 3/8" Body Mounting screws as illustrated in "Attaching the Faceplate" on Page 3.
 2. IF using the Latchbolt Monitor and Locking Cam Monitor, THEN SEE "Monitoring Switches" below for wiring instructions.
- NOTE:** The strike body ships as either a 12 or 24 volt unit and is not field selectable.
3. VERIFY the available voltage is +/- 10% of the rated voltage of the strike body.

Preparing the Frame

4. PREPARE frame using the applicable template on Pages 3-7.

Finishing the Installation

5. CONNECT the Plug In Connector to the electric strike, and CONNECT wires from the Plug In Connector leads to the power source.
6. INSTALL the electric strike unit in jamb cutout, using the provided #12-24 x 1/2" faceplate mounting screws.

Monitoring Switches

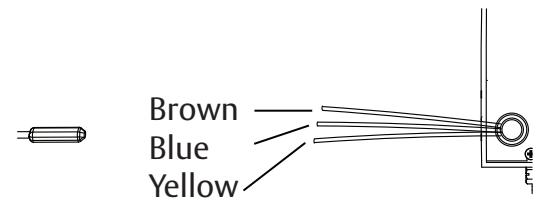
Latchbolt Monitor (LBM)

White	Common
Orange	Normally Open
Green	Normally Closed

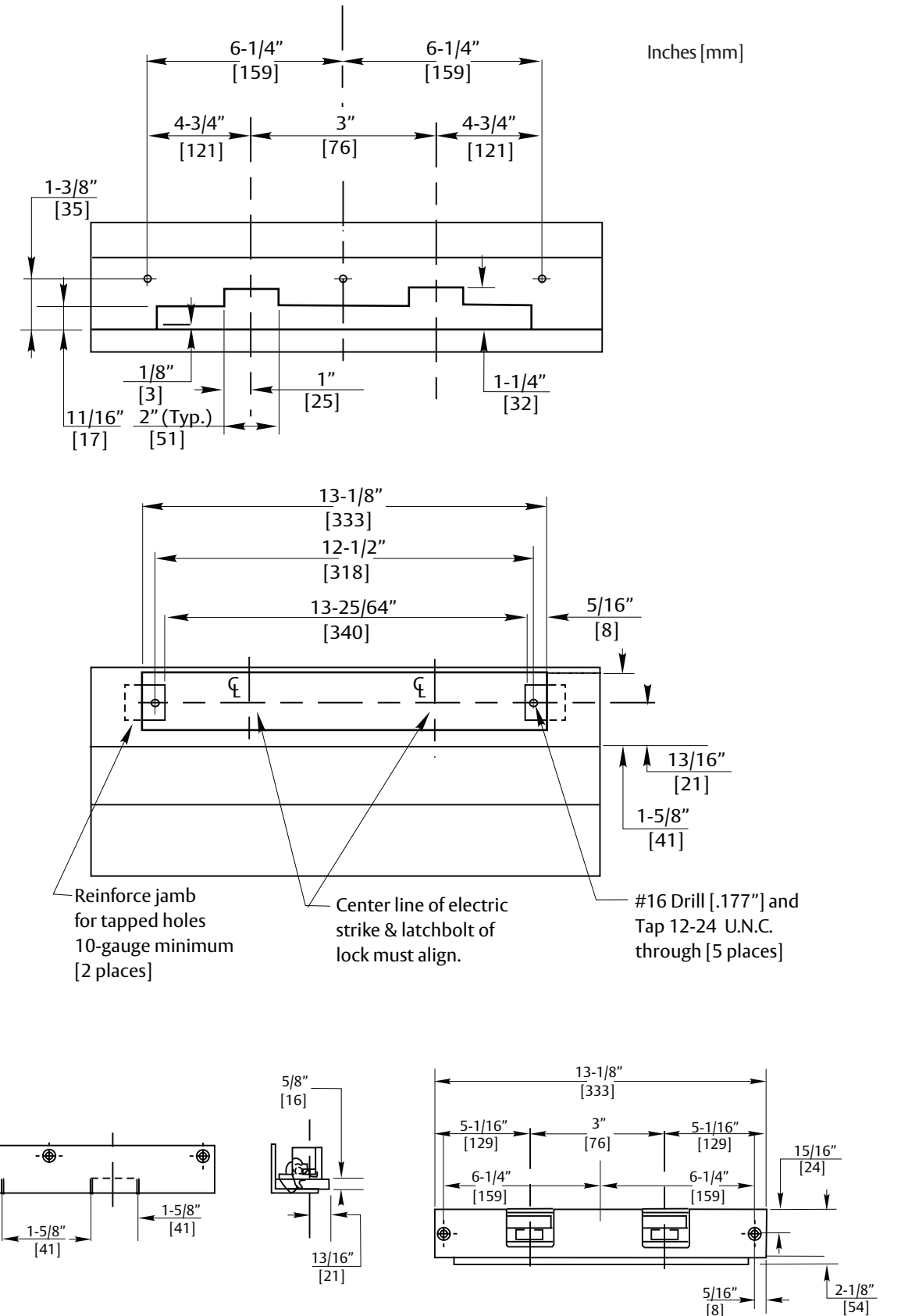


Locking Cam Monitor (LCM)

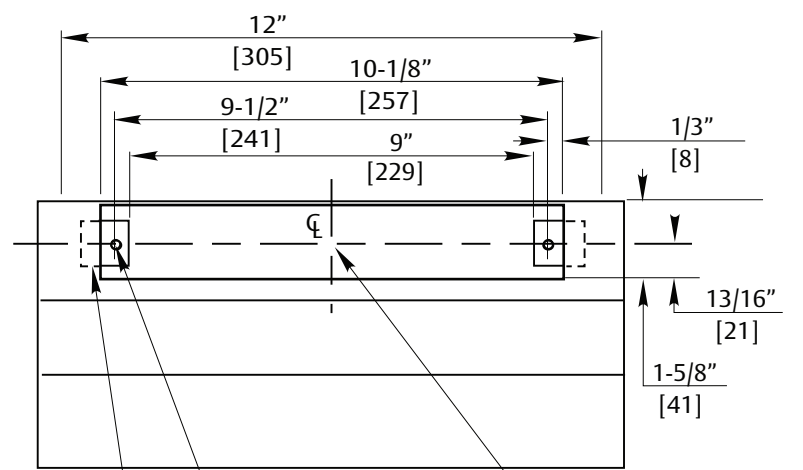
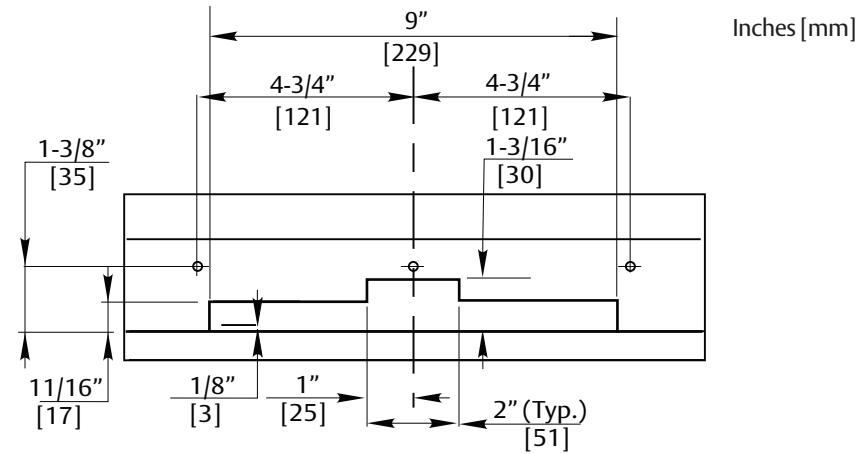
When Secure	
Brown	Common
Blue	Normally Open
Yellow	Normally Closed



310-6-30 Template & Dimensions



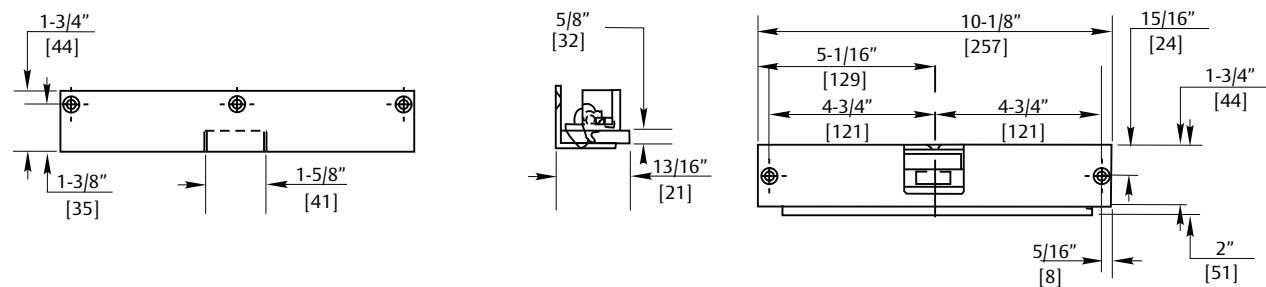
310-6-8 Template & Dimensions



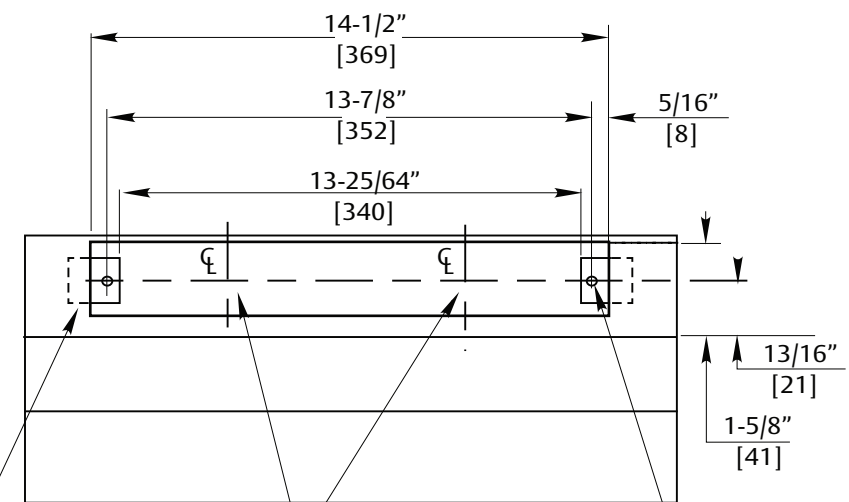
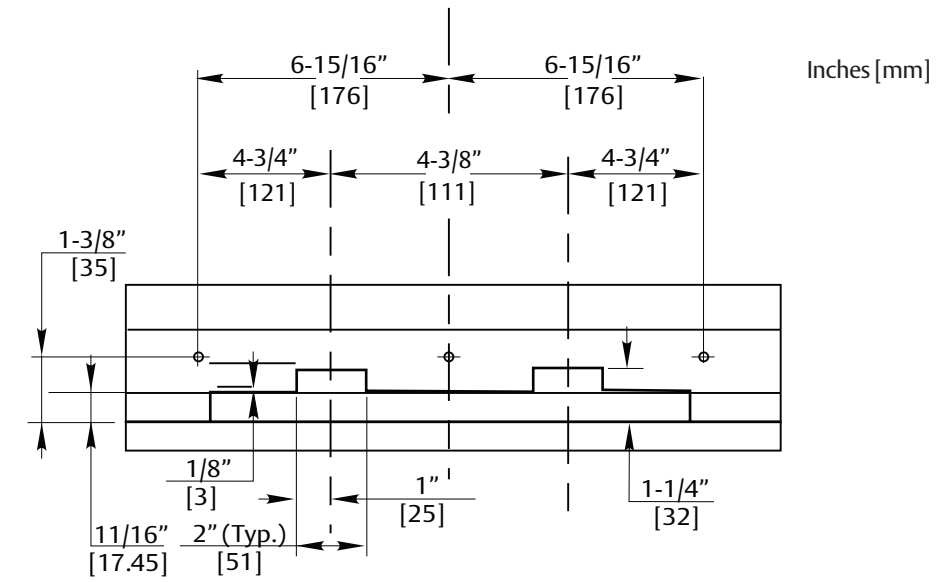
#16 Drill [.177"] and Tap 12-24 U.N.C. through [5 places]

Center line of electric strike and latchbolt of lock must align.

Reinforce jamb for tapped holes 10-gauge minimum [2 places]



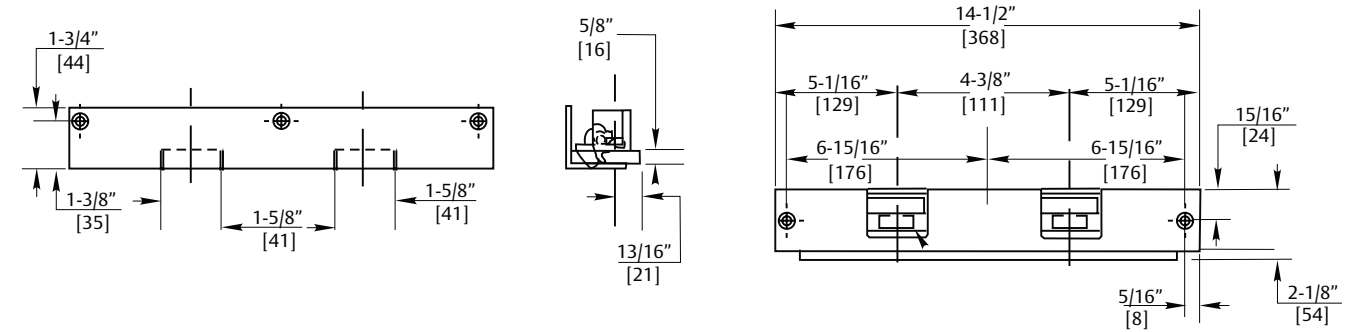
310-6-1 Template & Dimensions



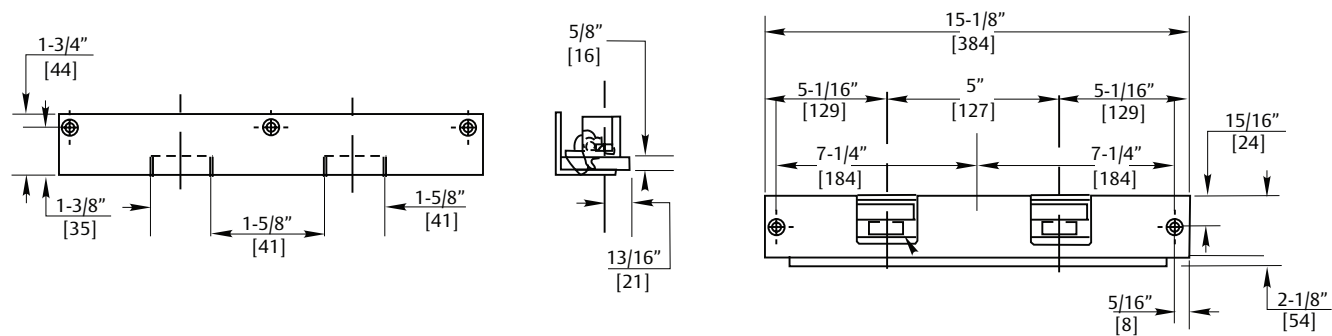
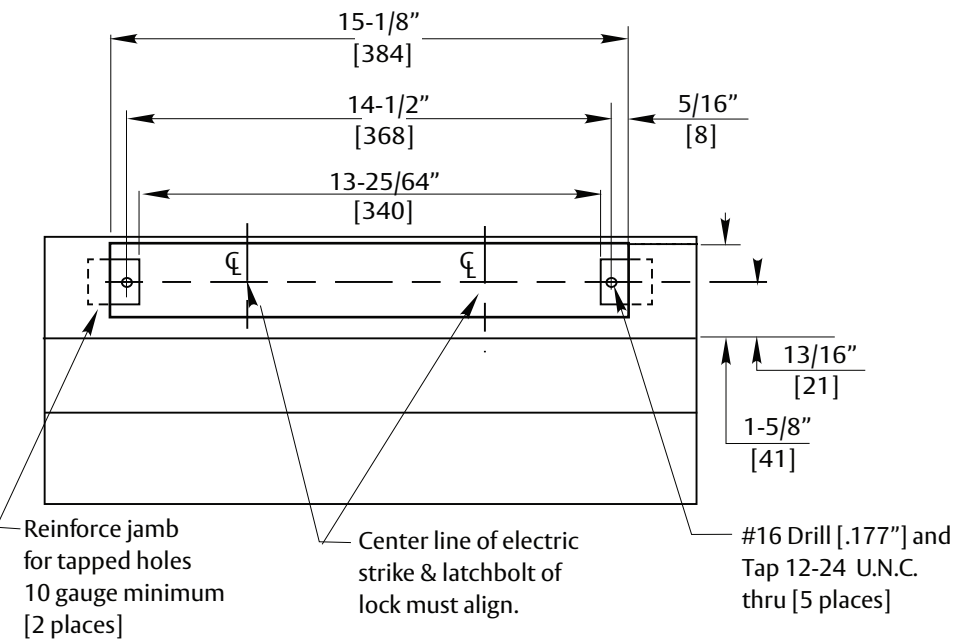
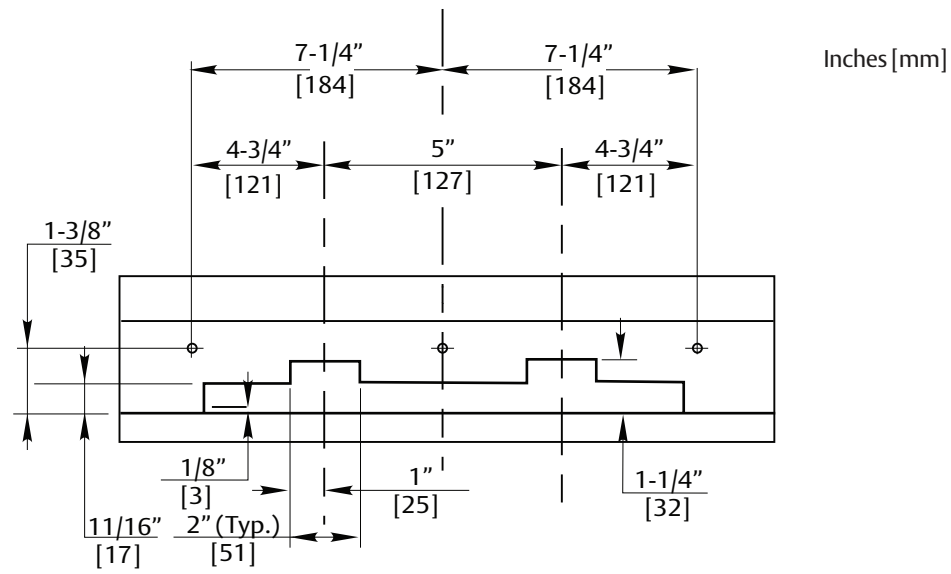
Reinforce jamb for tapped holes 10 gauge minimum [2 places]

Center line of electric strike & latchbolt of lock must align.

#16 Drill [.177"] and Tap 12-24 U.N.C. through [5 places]



310-6-2 Template & Dimensions



310-6-3 Template & Dimensions

