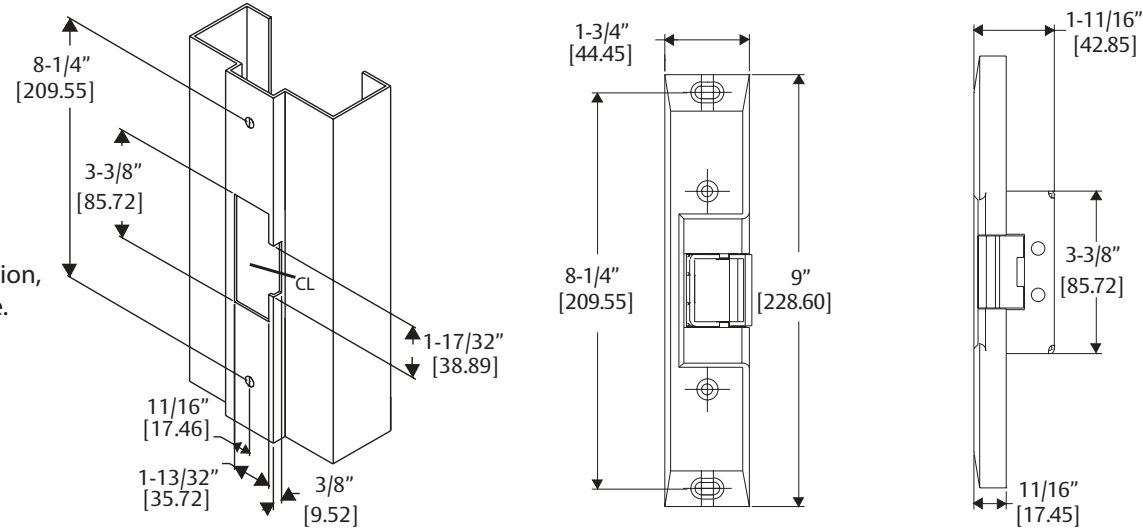


Cutout Templates (continued)

783S OPTION

NOTE 1: For use with RIM exit devices in metal jambs with up to a 3/4" pullman latch.

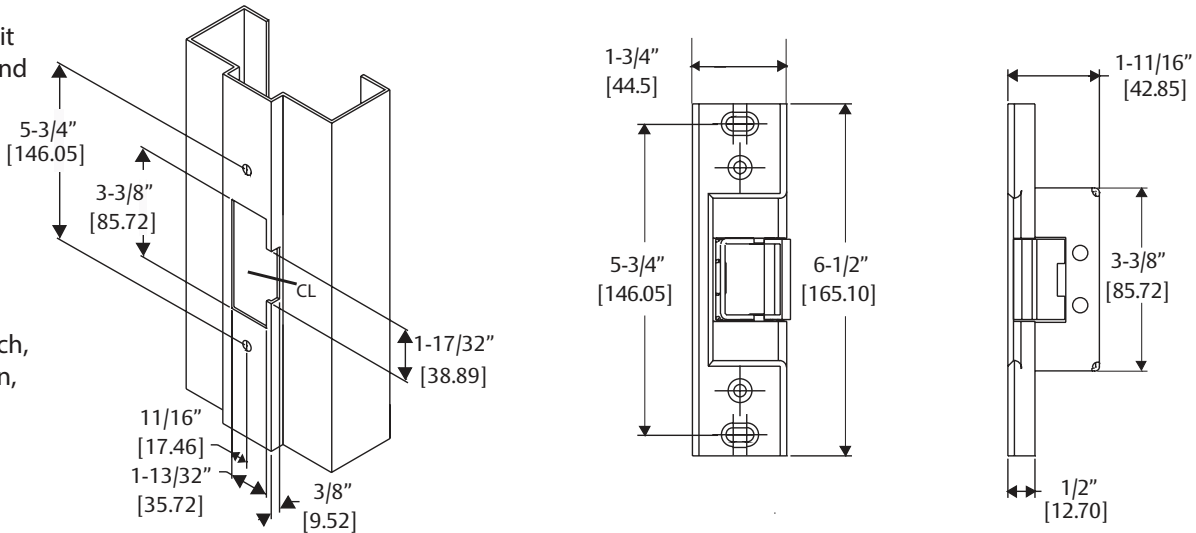
NOTE 2: Compatible with American Device, Arrow, Dor-O-Matic, Monarch, Precision, Sargent, Von Duprin, and Yale.



786S OPTION

NOTE 1: For use with RIM exit devices in aluminum jambs and surface mounted vertical rod exit devices with up to a 3/4" pullman latch. Includes keeper socket adapter.

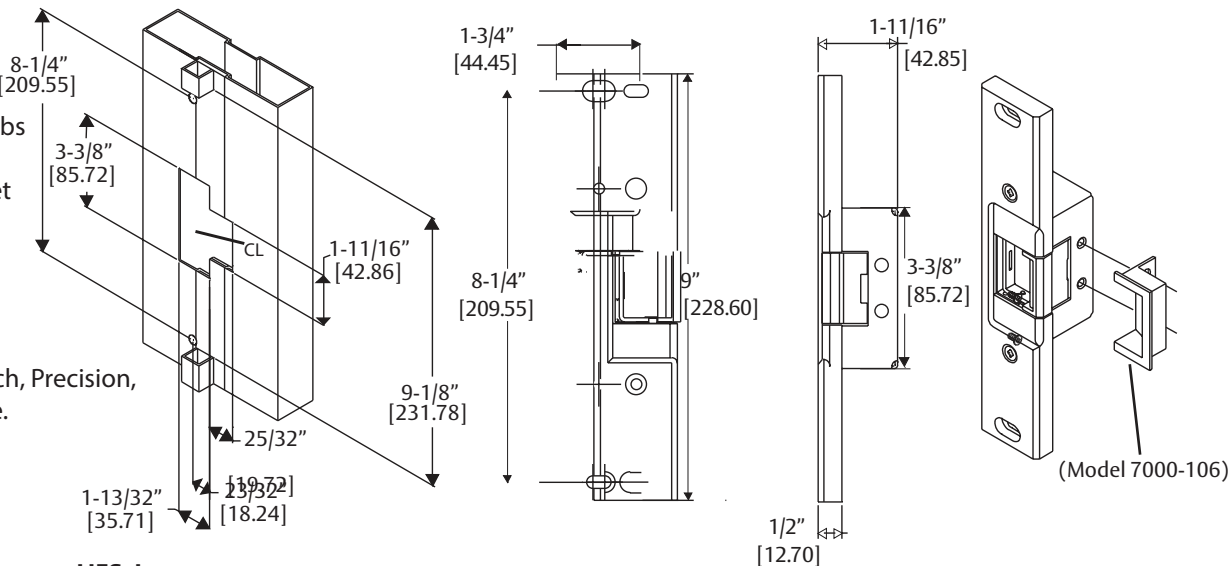
NOTE 2: Compatible with American Device, Arrow, Dor-O-Matic, Jackson, Monarch, Precision, Sargent, Von Duprin, and Yale.



789S OPTION

NOTE 1: For use with RIM exit devices in aluminum jambs with up to a 3/4" pullman latch. Includes keeper pocket adapter.

NOTE 2: Compatible with American Device, Arrow, Dor-O-Matic, Jackson, Monarch, Precision, Sargent, Von Duprin, and Yale.



HES, Inc.
Phoenix, AZ 85044
800-626-7590
www.hesinnovations.com

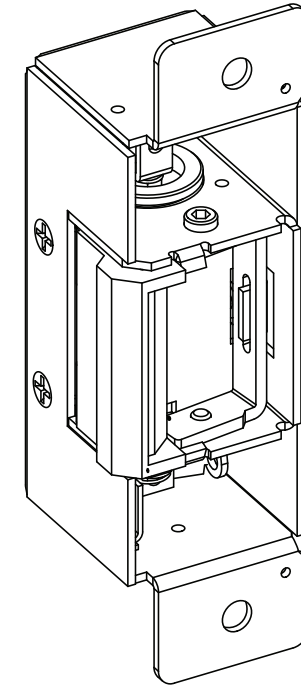
Copyright © 2017, Hanchett Entry Systems, Inc., an ASSA ABLOY Group company. All rights reserved. Reproduction in whole or in part without the express written permission of Hanchett Entry Systems, Inc. is prohibited.



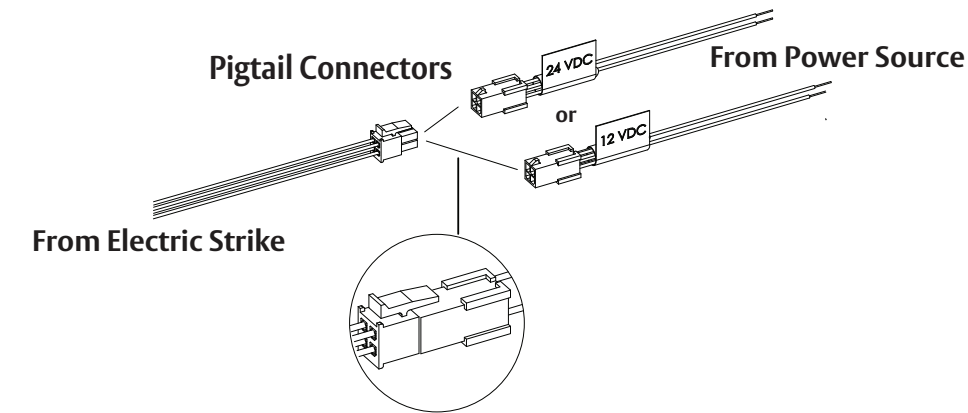
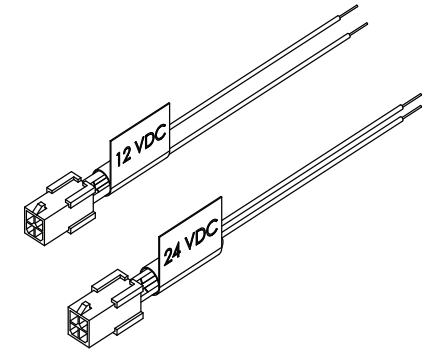
7000 Series Electric Strike Installation Instructions

Product Components

7000 Series Electric Strike Body



12-Volt and 24-Volt Pigtail Connectors



Specifications

ELECTRICAL RATINGS (Solenoid)	Solenoids are rated at +/- 10% indicated value. * Applies to AC Only: 10% max duty cycle (2 min. max on time)			
	12 VDC	24 VDC	12-16 VAC	24 VAC
VOLTAGE	12 VDC	24 VDC	12-16 VAC	24 VAC
CONTINUOUS DUTY	0.24A	0.12A	-	-
INTERMITTENT DUTY*	-	-	0.24-0.32A	0.12A

MINIMUM WIRE GAUGE REQUIREMENTS	VOLTAGE	
	12 VDC	24 VDC
200 feet or less	18 gauge	20 gauge
200 - 300 feet	16 gauge	18 gauge
300 - 400 feet	14 gauge	16 gauge

7000 Series: For Indoor Use Only

Ratings

	791/792	783S/786S/789S
Static Strength:	1,500 lbs	1000 lbs
Dynamic Impact:	70 ft-lbs	50 ft-lbs
Endurance:	500,000 cycles	500,000 cycles

UL294 Performance Levels

Destructive Attack:	Level 1 (No attack test)
Line Security:	Level I (No Line Security)
Endurance:	Level IV (100,000 cycles)
Standby Power:	Level I (No secondary power source)

NOTE 1: Before electrically connecting the device, the input voltage must be verified using a multimeter. Many power supplies and low voltage transformers operate at higher levels than listed. Any input voltage exceeding 10% of the electrical specification (See Page 1) may cause severe damage to the unit and will void the warranty.

NOTE 2: Installation wiring for the product and wiring methods shall be in accordance with the National Electrical Code, ANSI/NFPA 70.

Preparing the Frame

1. PREPARE door jamb per the appropriate template detail (see pages 3–4).

Finishing the Installation

NOTE: For 12 VDC, the Plug In Connector (pigtail) marked “12 VDC” should be used; for 24 VDC, the pigtail marked “24 VDC” should be used.

1. CONNECT power to the electric strike, and INSTALL into jamb using the hardware provided with the option kit.

Converting the Operation Mode

NOTE: The suitability of the locks in the FAIL SECURE OPERATION mode is up to the local Authority Having Jurisdiction (AHJ) and emergency exit hardware may be required in such installations.

1. Because the electric strike ships in fail secure mode, COMPLETE the following steps to convert to fail safe mode.

- REMOVE the cotter pin from the solenoid linkage.
- REMOVE the solenoid mounting screw and washers.
- REMOVE the solenoid from the keeper module.
- TURN the solenoid upside down, and RE-INSERT it into the keeper module.
- RE-INSTALL the mounting screw and washers at the opposite end of the keeper module, and ENSURE the “D” washer is positioned firmly into the solenoid slot.
- REPLACE the cotter pin to secure the solenoid linkage.

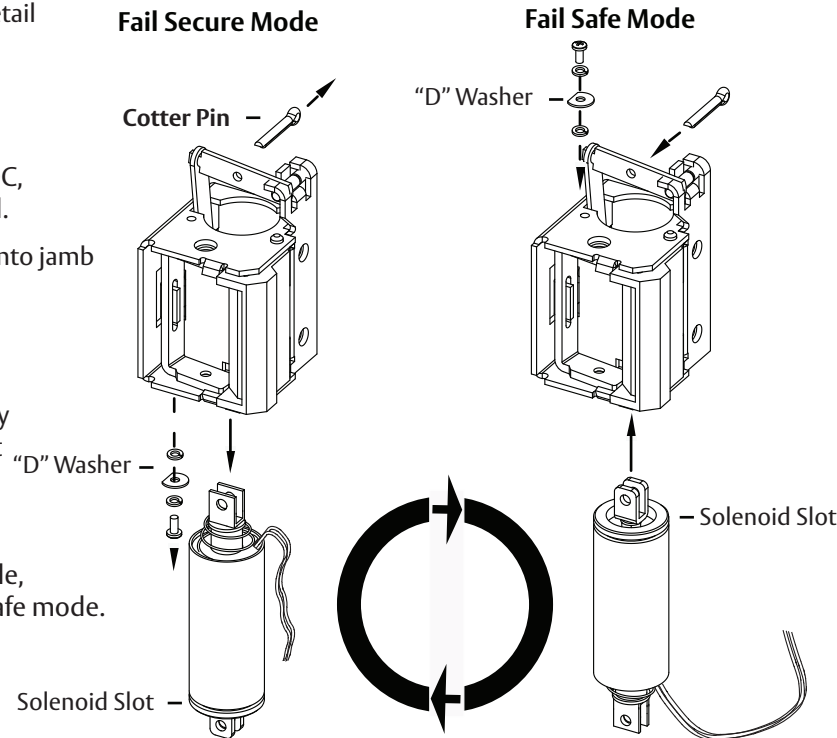


Figure 1. Converting the Operation Mode

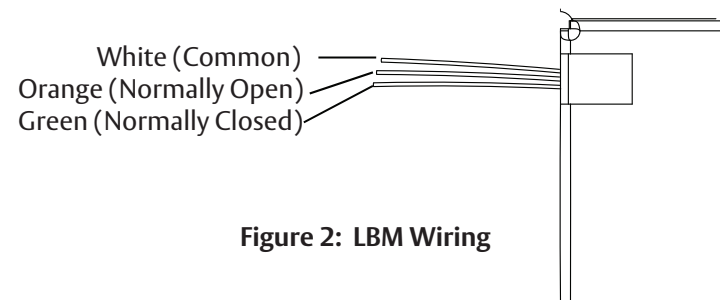
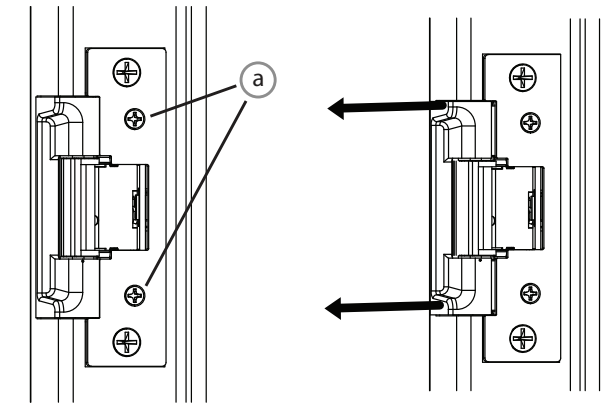


Figure 2: LBM Wiring

Adjusting the Horizontal in the 791 and 792 Options

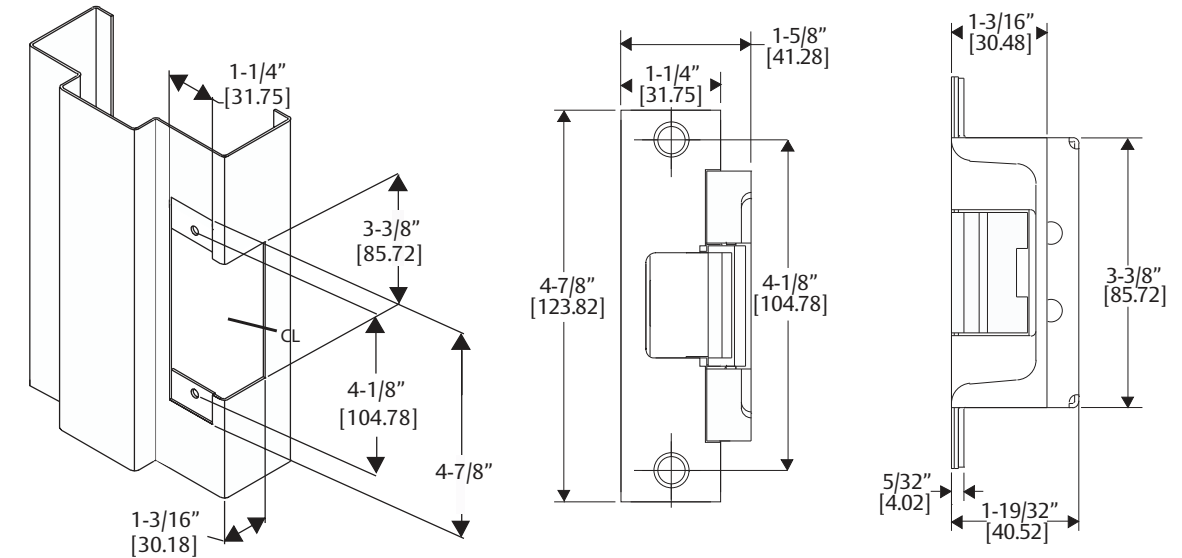
- LOOSEN the screws (a), but DO NOT REMOVE.
- SHIFT the electric strike to the proper horizontal position and TIGHTEN the screws (a).



Cutout Templates

NOTE: For use with Cylindrical locksets up to 5/8” throw.

791 Option



NOTE: For use with Cylindrical locksets up to 5/8” throw.

792 Option

